

Description

A TBP Battery Protect Relay protects your batteries from non essential loads before the battery is completely discharged. Causing damage to batteries and potentially a shortage of cranking power to start your engine. These (solid state-) relays also protect connected electrical appliances against over voltage. The battery load is disconnected whenever the DC voltage goes beyond 16V (12V mode) or 32V (24V mode).

The TBP products are microprocessor controlled and contain 10 user selectable programs for different disconnect and reconnect voltages.

A TBP relay can also be controlled remotely by a switch, to manually disconnect the load from the battery when a system is for example left unattended for a prolonged time. An alarm output can be used to connect to a buzzer that activates once an under voltage is detected.



Features

- Protects your battery from being discharged too deeply
- Protects battery loads against high voltages
- Remote switch connection
- Alarm output
- 10 programs available for different disconnect / reconnect voltages
- CE certified
- 24 month warranty

Applications

- Recreational vehicles
- Service vehicles
- Marine applications
- Industrial systems



Technical specifications

Parameter	TBP-60 art # 5074100	TBP-200 art # 5074200
Operating voltage	12Vdc / 24Vdc (auto detect)	
High voltage disconnect	16V (12V mode) / 32V (24V mode)	
Maximum load / shutdown current	60..65A	200..210A
Maximum surge current	120A	480A
Voltage drop	0.15V @ 60A	0.13V @ 200A
Current consumption	4mA (output active) / 2mA (output inactive)	
Shutdown delay at overload	5 sec. (auto reconnect after 1 minute)	
Measurement accuracy	±2% (voltage) / ±20% (current)	
Disconnect / reconnect voltages (10 user selectable programs)	12V mode: 10.5V / 12.0V 10.0V / 11.5V 9.5V / 11.5V 11.3V / 13.3V 11.5V / 13.8V 10.5V / 12.8V 11.5V / 12.8V 11.8V / 12.8V 12.0V / 13.0V 10.0V / 13.2V	24V mode: 21.0V / 24.0V 20.0V / 23.0V 19.0V / 23.0V 22.6V / 26.6V 23.0V / 27.6V 21.0V / 25.6V 23.0V / 25.6V 23.6V / 25.6V 24.0V / 26.0V 20.0V / 26.4V
Protection class	IP66	
Dimensions	82 x 65 x 41 mm	120 x 112 x 61.0 mm
Weight	0.2 kg	0.7 kg
Connections	M6 + 6.3 mm fastons	M10 + 6.3 mm fastons

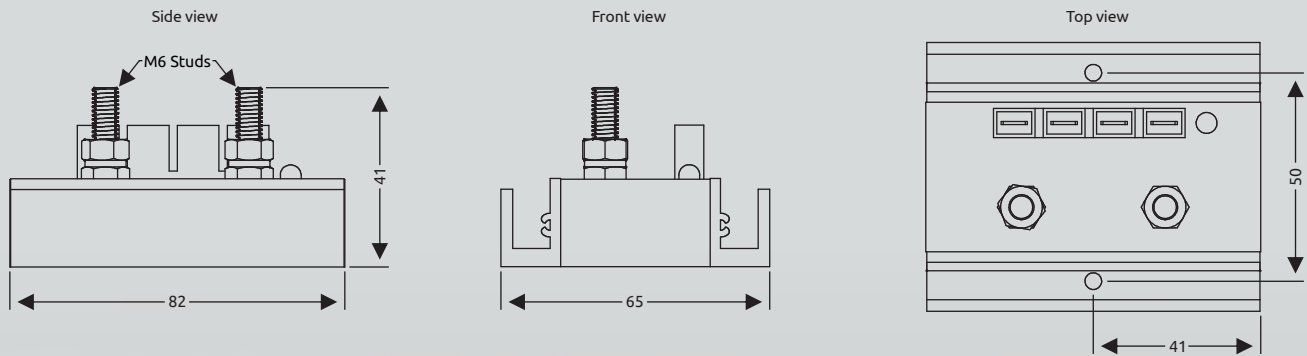
Note: the given specifications are subject to change without notice.



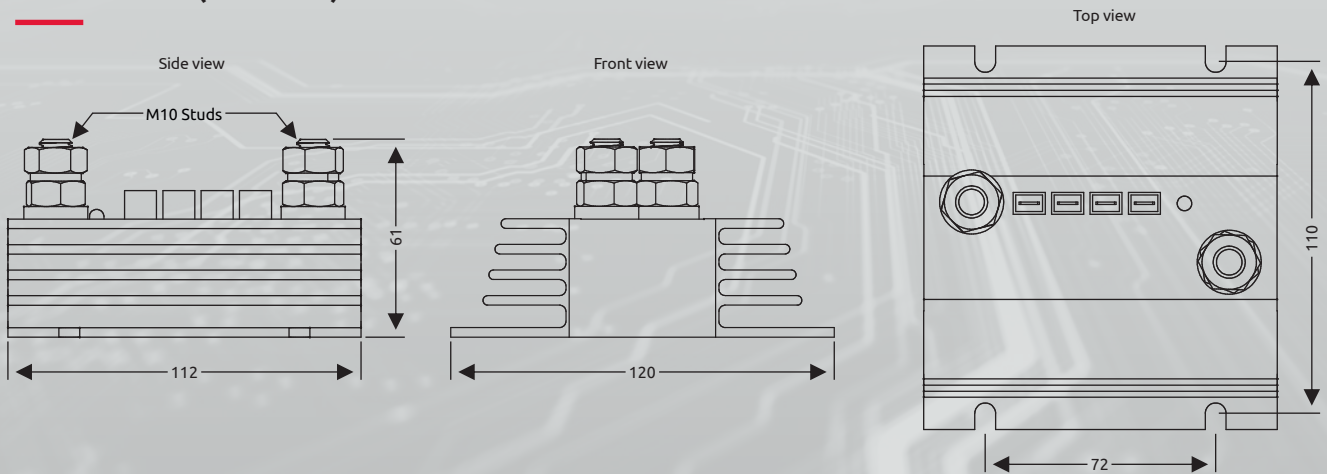
Tip!

For a similar product, but with a 500A current rating, please check the DCM Battery Protect Relay in our DC Modular product lineup.

Dimensions (TBP-60)



Dimensions (TBP-200)



Measurement units: millimeters

Basic application diagram

