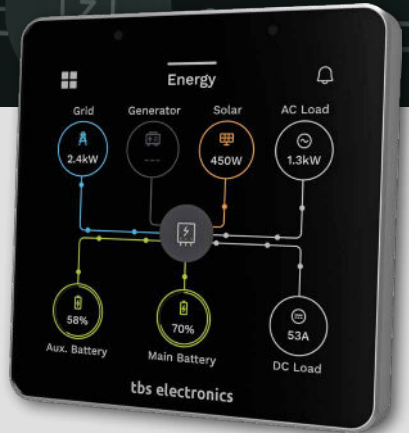


## Control

One display,  
infinite possibilities



### Description

Take full command of your TBS Electronics energy system with **Control**, our state-of-the-art 4-inch touch display. Designed for professionals and enthusiasts, this high-end display offers unparalleled clarity and functionality.

Pair it with our upcoming Connect communication hub and effortlessly manage TBS inverters, battery chargers, and battery monitors. Whether you're optimizing your power setup or monitoring tank levels, Control provides real-time readouts and interactive control at your fingertips.

The seamless integration allows you to not only readout vital information, but also control DC circuits, start generators, and transform your system into a fully automated powerhouse.

For those seeking a dedicated, premium display solution, Control also connects directly with the Expert Modular battery monitor, ensuring a flawless and intuitive interface that brings your battery data to life.

Crafted with excellence, Control is built using the finest components available to deliver an unmatched user experience and great performance. Its sleek, medical-grade anodized aluminum housing not only provides durability, but also ensures a premium feel that stands out in any setup.

The custom-made touch display offers vibrant colors, superb viewing angles and a chemically strengthened glass surface with an anti-fingerprint coating - making every interaction smooth, crisp, and smudge-free.

The modern and fluent user interface is thoughtfully designed with simplicity at its core, making it intuitive and easy to navigate for everyday users.

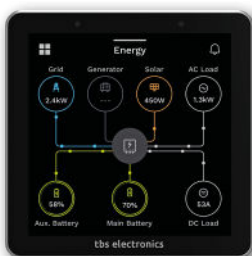
But for those who need deeper insights and advanced controls, more detailed system information is readily accessible at the touch of a button, offering the best of both worlds.

Beneath the surface, Control is powered by a high-performance, specially developed display system board that combines high performance with minimal current consumption - a critical feature for battery-powered systems.

From monitoring your energy system and tank levels to managing DC circuits and integrating seamlessly with the Expert Modular battery monitor, Control adapts to your needs, providing both the simplicity and the depth of information you demand.

### Screen examples

The image below shows the **Energy Flow** main screen that is processed by the Connect communication hub. Flow directions and energy levels of all sources and loads are animated by moving dots for optimal clarity.



Pressing a source/load 'bubble' will jump to a screen with more information.



The **Springboard** screen can be accessed by pressing the button in the upper left corner of any main screen. It is used to select a different main viewing screen or to access notifications or system settings.



The **Tanks** main screen clearly shows the levels of all available tanks that are wired to the Connect communication hub.



The **Switches** main screen is represented by a configurable grid of switches. These can be used to control all kinds of equipment that are connected via relays or future bus connected TBS digital switching devices.



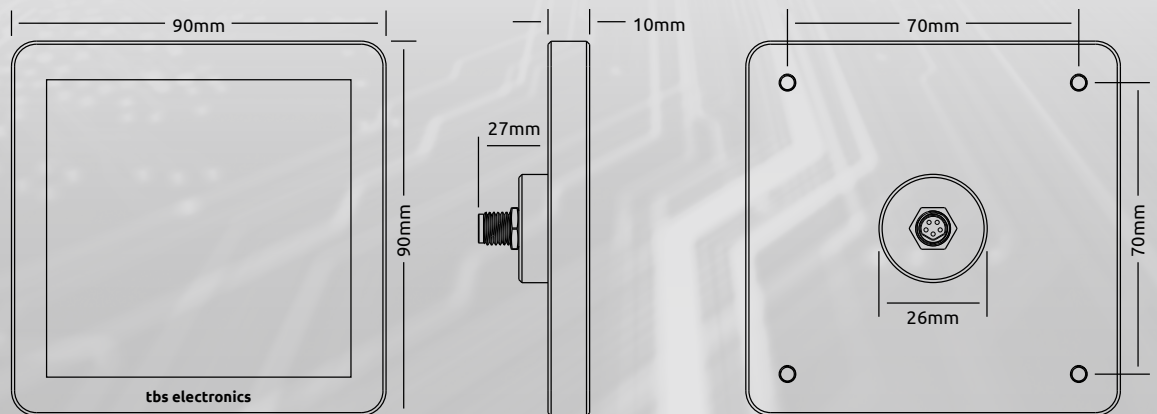
The **Main Battery Details** screen is an example to show what can be expected when a bubble is pressed in the Energy Flow screen, or when the Control is directly connected to an Expert Modular battery monitor.

## Technical specifications

Parameter	Control
Supply	8 - 17Vdc (powered by connected TBS device)
Current consumption (typical)	9mA (standby) / 80mA (screen on) / 120mA (screen @ max. brightness)
Display	480 x 480 pixels IPS panel, full touch, strengthened glass, anti-fingerprint
Housing material	Anodized aluminium
Housing color	Black or silver grey (other colors on request)
Communication port	TBS CAN + TBS Quicklink (via M8 waterproof connector)
Weight	140 grams
Protection class	IP65
Dimensions (L x W x D)	90 x 90 x 10mm (27mm total depth incl. connector)

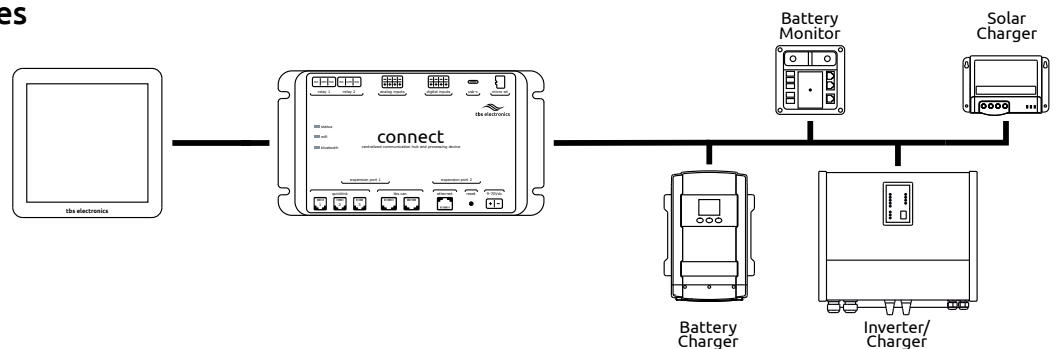
Note: the given specifications are subject to change without notice

## Dimensions



## Connection possibilities

### Control + Connect communication hub



### Control + Expert Modular battery monitor

