



tbs electronics

THE POWER OF QUALITY

Professional inverter/charger combinations

Powersine Combi

PSC1600-12-60

PSC1800-24-35

PSC2000-12-80 [-S]

PSC2500-24-50 [-S]

PSC3000-12-120 [-S]

PSC3500-24-70 [-S]

- EN** Owner's manual
- NL** Gebruiksaanwijzing
- DE** Bedienerhandbuch
- FR** Mode d'emploi
- ES** Manual del propietario

TBS ELECTRONICS BV
De Marowijne 3, 1689AR, Zwaag, The Netherlands

<http://www.tbs-electronics.com>

Notice of Copyright

Powersine Combi PSC1600-3500 [-S] inverter/charger owner's manual © 2012-2025 TBS Electronics BV. All rights reserved. No part of this document may be reproduced in any form or disclosed to third parties without the express written permission of TBS Electronics BV, De Marowijne 3, 1689AR, Zwaag, The Netherlands. TBS Electronics BV reserves the right to revise this document and to periodically make changes to the content hereof without obligation or organization of such revisions or changes, unless required to do so by prior arrangement.

Exclusions for documentation and product usage

UNLESS SPECIFICALLY AGREED TO IN WRITING, TBS ELECTRONICS BV ("TBS") :

1. MAKES NO WARRANTY AS TO THE ACCURACY, SUFFICIENCY OR SUITABILITY OF ANY TECHNICAL OR OTHER INFORMATION PROVIDED IN ITS MANUALS OR OTHER DOCUMENTATION
2. ASSUMES NO RESPONSIBILITY OR LIABILITY FOR LOSSES, DAMAGES, COSTS OR EXPENSES, WHETHER SPECIAL, DIRECT, INDIRECT, CONSEQUENTIAL OR INCIDENTAL, WHICH MIGHT ARISE OUT OF THE USE OF SUCH INFORMATION. THE USE OF ANY SUCH INFORMATION WILL BE ENTIRELY AT THE USER'S RISK
3. REMINDS YOU THAT IF THIS MANUAL IS IN ANY LANGUAGE OTHER THAN ENGLISH OR DUTCH, ALTHOUGH STEPS HAVE BEEN TAKEN TO MAINTAIN THE ACCURACY OF THE TRANSLATION, THE ACCURACY CANNOT BE GUARANTEED.
4. MAKES NO WARRANTY, EITHER EXPRESSED OR IMPLIED, INCLUDING BUT NOT LIMITED TO ANY IMPLIED WARRANTIES OF MERCHANTABILITY OR FITNESS FOR A PARTICULAR PURPOSE, REGARDING THESE TBS PRODUCTS AND MAKES SUCH TBS PRODUCTS AVAILABLE SOLELY ON AN "AS IS" BASIS.
5. SHALL IN NO EVENT BE LIABLE TO ANYONE FOR SPECIAL, COLLATERAL, INCIDENTAL, OR CONSEQUENTIAL DAMAGES IN CONNECTION WITH OR ARISING OUT OF PURCHASE OR USE OF THESE TBS PRODUCTS. THE SOLE AND EXCLUSIVE LIABILITY TO TBS, REGARDLESS OF THE FORM OF ACTION, SHALL NOT EXCEED THE PURCHASE PRICE OF THE TBS PRODUCTS DESCRIBED HERE IN.

Document name, date and part number

"PSC1600-3500 [-S] Manual Rev4endfs", February 2025, 201183

EN	English	Page 4
NL	Nederlands	Pagina 31
DE	Deutsch	Seite 57
FR	Français	Page 86
ES	Español	Página 114

TABLE OF CONTENTS

1. INTRODUCTION	5
2. DESCRIPTION	6
3. CONFIGURING THE POWERSINE COMBI	7
3.1 General	7
3.2 Factory default parameter settings.....	7
3.3 DIP switch settings overview.....	10
3.3.1 Rotary switch settings overview (S-version only)	13
3.4 Sync Port setup (S-version only)	14
4. GENERAL OPERATION.....	15
4.1 Operating the Powersine Combi	15
4.2 Powersine Combi LED indicators and error modes	15
4.2.1. Error indications	17
4.3 Programmable Alarm relay	17
4.4 Trigger input	18
4.5 Load requirements in inverter mode	18
5. CHARGER OPERATION	19
5.1 Charge programs	19
5.2 Equalizing a flooded battery	20
6. TROUBLESHOOTING GUIDELINE	22
7. TECHNICAL SPECIFICATIONS	26
8. WARRANTY CONDITIONS	29
9. DECLARATION OF CONFORMITY	30

1. INTRODUCTION

Thank you for purchasing a TBS Electronics (TBS) Powersine Combi inverter/charger combination. Please read this owner's manual for information about using the product correctly and safely. Keep this owner's manual and all other included documentation close to the product for future reference. For the most recent manual revision, please check the downloads section on our website.

The purpose of this owner's manual is to provide explanations and procedures for operating, and configuring the Powersine Combi. For installing the Powersine Combi, a separate installation guide is included. The installation guide is intended for installers that should have knowledge and experience in installing electrical equipment, knowledge of the applicable installation codes, and awareness of the hazards involved in performing electrical work and how to reduce those hazards.



WARNING

Before proceeding with this owner's manual, please make sure you have carefully read the enclosed safety flyer and installation guide!

2. DESCRIPTION

The Powersine Combi is an all-in-one combination of a DC to AC true sinewave inverter, an advanced multi-stage battery charger and a high speed AC transfer switch. All this is build into one compact, yet installer friendly enclosure. Besides these three main functions, there are several unique features offered as well. Some of which benefit from the strong interaction between the three main functions.

The main task of the Powersine Combi is to act as an uninterruptable AC power supply (UPS). In case of a grid/generator failure or disconnection, the Powersine Combi immediately stops charging the battery, releases the AC transfer switch and activates the inverter which takes over the supply to the connected loads. All this is achieved so fast, that even very critical loads like computers will continue to operate without any problems. In case the grid/generator is reconnected again and the voltage and frequency are within acceptable limits, the Powersine Combi activates the AC transfer switch and battery charger again, while deactivating the inverter. The connected loads are now supplied again by the grid/generator without any interruption.

Additionally, the Powersine Combi offers features like :

- **AC Input Power Boost**, which temporarily assists weak AC input sources when the connected load needs more power than available from the local grid or generator.
- **AC Input Current Limit**, which limits the maximum current consumed from the AC input source by the Powersine Combi. This limit is user adjustable.
- **Power Factor Corrected AC Input**, which optimizes energy efficiency and makes sure that the maximum amount of charging current is available from your AC source.
- **Intelligent 4-stage charge programs**, user programmable to fit any battery type.
- **Fully programmable inverter, transfer switch and battery charger parameters**, using the TBS Dashboard for Windows software.
- **Programmable alarm relay**, for optimal control of external devices like generator starting or selective load disconnection.
- **Freely assignable trigger input**, which allows the user to control the Powersine Combi by external events.
- **Temperature controlled fans**, to guarantee silent operation under less than full load conditions.
- **Temperature compensated battery charging**, using the standard supplied battery temperature sensor for maximum battery lifetimes.
- **Stackable (S-models only)**, up to 3 units can be connected in parallel to achieve even higher output power- and charge current levels

3. CONFIGURING THE POWERSINE COMBI

3.1 General

The Powersine Combi can be configured in two ways. Using the DIP switches located in the connection bay, a small selection of basic settings can be made. In most cases this will be sufficient to quickly setup the unit for typical applications. Another option is to setup the Powersine Combi using the TBS Dashboard for Windows software. This software is included in the optional TBSLink to USB Communication Kit (art.# 5092120), which also contains an isolated interface box required to connect the Powersine Combi to a PC. Using TBS Dashboard, all available parameters can be edited, and it is also possible to edit or create your own battery charge programs.

CAUTION

When configuring the Powersine Combi by TBS Dashboard, make sure that DIP switch 1 is set to ON (External). When set to ON, all remaining DIP switch settings (2 up to 7 or 9) are ignored and the Powersine Combi will always load the parameter settings as configured in TBS Dashboard.

When DIP switch 1 is set to OFF (Local) again, DIP switch 2 up to 7 or 9 are overriding the corresponding parameter settings previously made in TBS Dashboard. The parameters that cannot be configured by DIP switches, shall return to the factory default settings.

This manual will only describe the DIP switch settings and all relevant factory default parameters. Configuration by TBS Dashboard will be explained in the TBS Dashboard manual that comes with the TBSLink to USB Communication Kit.

3.2 Factory default parameter settings

The table below shows an overview of the most relevant factory parameter settings, as stored in the Powersine Combi. These settings are based on an average application. TBS cannot guarantee that these are correct for your specific application. Please check all parameters carefully, especially the battery charging voltages.

Parameter	Inverter frequency
Value	50Hz
Description	Output frequency in inverter mode. Can be set to 50Hz or 60Hz
Configurable by	DIP switch 2 and Dashboard
Parameter	Inverter voltage
Value	230V
Description	Output voltage in inverter mode. Can be set from 200V to 240V
Configurable by	Dashboard

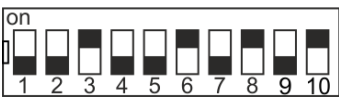



Parameter	Low Battery Protect
Value	On
Description	Enables or disables low battery protection with user programmable shutdown, restart and delay values (standard respectively 10V, 12V and 5 seconds). Turning Low Battery Protect off, results in immediate inverter shutdown when the battery voltage is less than 8.0V. (for 24V models multiply these voltages by '2')
Configurable by	DIP switch 3 and Dashboard
Parameter	Automatic Stand By (ASB)
Value	Off
Description	Enables or disables ASB. If enabled, the inverter will jump to ASB mode automatically, when the connected load power consumption drops below a user programmable level. In ASB mode the inverter pulses it's output sinewave in order to detect when the connected load requires more power again. While running in ASB mode, the Powersine Combi itself draws significantly less current from the battery. As soon as the load power demand increases again, the inverter will automatically jump to continuous mode delivering uninterrupted power to the load. When disabled, the inverter will always run in continuous mode, which is better for critical loads like computers, clocks and AV equipment.
Configurable by	DIP switch 4 and Dashboard
Parameter	AC input voltage range (transfer switch)
Value	180V – 270V
Description	Input voltage range which is accepted by the Powersine Combi for feeding through to the connected load. Two AC undervoltage values can be set. An absolute undervoltage level which directly releases the AC transfer switch when exceeded (factory setting = 150V), and a delayed undervoltage level, which releases the AC transfer switch after a certain delay (factory settings are 180V and 5 seconds). The charger stops charging when the AC input voltage drops below 185V and restarts again above 190V.
Configurable by	Dashboard
Parameter	AC input frequency range
Value	45Hz – 65Hz
Description	Input frequency range which is accepted by the Powersine Combi. Can be set to full range (45Hz – 65Hz), or to a smaller range within the 45Hz lower and 65Hz upper boundaries.
Configurable by	Dashboard
Parameter	AC Input Current Limit
Value	16.0A or 30.0A (depending on model)
Description	Represents the maximum continuous current that the Powersine Combi will draw from the AC input source. To assure this, the Powersine Combi will either reduce the charge current automatically, or (when enabled) will activate the AC Input Power Boost feature which will supply the



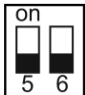


	additional power demand by running the inverter in parallel with the AC input source. When the connected load still draws too much current, the installer can either choose to deactivate the AC transfer switch, or keep it closed and allow it to exceed the AC input current limit value. This value can be set from 1.0A to 16.0A or 2.0A to 30.0A (depending on model) by Dashboard or the optional Universal Remote Control.
Configurable by	Dashboard and Universal Remote Control
Parameter	AC Input Power Boost
Value	Off
Description	AC Input Power Boost temporarily assists weak AC input sources when the connected load needs more power than available from the grid or generator. This is accomplished by running the inverter in parallel with the AC input source. The inverter can add power up to it's nominal output power rating assuming the battery is healthy. This parameter can be set On or Off.
Configurable by	DIP switch 7 and Dashboard
Parameter	Ground switch
Value	Enabled
Description	The ground switch is an internal relay that automatically connects AC output Neutral (N) to Protective Earth (PE = chassis) in <u>inverter mode</u> . This enables the use of a ground fault circuit interrupter (GFCI) at the AC output of the Powersine Combi. When a non-grounded (floating-) output is required, this Parameter can be disabled.
Configurable by	DIP switch 8 (on PSC2000-3500 [-S] models only) and Dashboard
Parameter	AC input fail sensitivity
Value	Normal
Description	This parameter can be set to Very Low, Low, Normal, High and Very High. The value of this Parameter decides how fast the Powersine Combi detects a signal fail at the AC input. The lower settings are resulting in a slower AC input source → inverter transfer time, while the higher settings result in the fastest transfer times. The settings Low and Very Low can be used when the AC input signal is distorted or unstable, which could be the case when a small generator is used. The settings High and Very High can be used when the Powersine Combi is connected to a solid grid or quality generator. The factory setting Normal is a good compromise, which still results in a fast AC input source → inverter transfer time of less than 5ms, while being reasonably immune against distorted AC input signals.
Configurable by	Dashboard
Parameter	Battery type / Charge program
Value	AGM
Description	The default charge program AGM is compatible with typical AGM type batteries, but can be used for other types of lead-acid batteries as well. <u>Please make sure that you always check if the Powersine Combi charge program settings, are compatible with the used battery!</u> The AGM charge program absorption voltage is 14.3V (28.6V@24V) and the float voltage



	is 13.3V (26.6V@24V). Other selectable charge programs are Flooded, GEL, Lead Calcium, Lithium and Custom. For further charge program information, please see chapters 3.3 and 5.1.
Configurable by	DIP switch 5 and 6 (S-version: rotary switch pos. 3) and Dashboard
Parameter	Charge current limit
Value	100%
Description	This parameter sets the maximum charge current in percent. This value can be set from 10% to 100% by Dashboard or the optional Universal Remote Control. You can set this parameter to a lower value when the connected battery is too small and cannot handle the maximum charge current, or when you wish to (temporarily) reduce the charger current share, in the total amount of current flowing through the AC input of the Powersine Combi.
Configurable by	Dashboard, Universal Remote Control and for S-version only: DIP switch 5 and 6

3.3 DIP switch settings overview

During step 3 of the installation guide, you can alter the factory settings of the DIP switches to change the functionality of the Powersine Combi on a few points. For additional information about the settings, see the previous chapter (3.2). The following settings can be made :

	Setting description
 <p>Factory setting = OFF</p>	<p><u>Local / External Programming</u> ON (External) : DIP switches 2 to 7 or 9 are ignored and the Powersine Combi will always load the parameter settings as configured in TBS Dashboard. OFF (Local) : The local DIP switch settings are used. All other parameters are set to the factory default settings.</p>
 <p>Factory setting = OFF</p>	<p><u>Inverter output frequency</u> ON : Output frequency is 60Hz OFF : Output frequency is 50Hz</p>
 <p>Factory setting = ON</p>	<p><u>Low battery protect</u> ON : Low battery protect is on OFF : Low battery protect is off (immediate inverter shutdown when the battery voltage is < 8.0V)</p>

 Factory setting = OFF	<u>ASB mode</u> ON : ASB mode on OFF : ASB mode off
 Factory setting 5 = OFF Factory setting 6 = ON  Factory setting 5 = OFF Factory setting 6 = OFF	<u>Non S-version: Battery type / Charge program (12V / 24V)¹⁾</u> 5 = OFF : Battery type = Flooded 6 = OFF Absorption voltage = 14.4V / 28.8V Float voltage = 13.5V / 27.0V 5 = ON : Battery type = GEL 6 = OFF Absorption voltage = 14.2V / 28.4V Float voltage = 13.5V / 27.0V 5 = OFF : Battery type = AGM 6 = ON Absorption voltage = 14.3V / 28.6V Float voltage = 13.3V / 26.6V 5 = ON : Battery type = Lithium ²⁾ / Custom 6 = ON Absorption voltage = 14.4V / 28.8V (programmable) Float voltage = 13.3V / 26.6V (programmable) <u>S-version: Maximum charge current</u> 5 = OFF : 100% (variable, remote override by URC or 6 = OFF Dashboard allowed) 5 = ON : 100% (fixed, cannot be controlled by URC or 6 = OFF Dashboard) 5 = OFF : 75% (fixed, cannot be controlled by URC or 6 = ON Dashboard) 5 = ON : 50% (fixed, cannot be controlled by URC or 6 = ON Dashboard)
 Factory setting = OFF	<u>AC Input Power Boost</u> ON : AC Input Power Boost on OFF : AC Input Power Boost off
 Factory setting = ON	<u>Models : PSC1600-1800</u> <u>Bypass remote switch (Bypasses the remote switch connection when no remote switch is connected)</u> ON : Remote switch connection terminals are bypassed OFF : remote switch connection terminals are open. A

	<p>remote switch must be connected and switched ON in order to activate the Powersine Combi. The local on/off switch on the frontpanel always overrides the remote switch. So in order to use the remote switch, the local on/off switch must be in the 'on' or 'charger only' position.</p> <p><u>Models : PSC2000-3500 [-S]</u> <u>Ground switch/relay</u> ON : Ground switch is enabled OFF : Ground switch is disabled</p>
<p style="text-align: center;">  Factory setting = OFF </p>	<p><u>Models : PSC2000-3500 [-S] only</u> Reserved</p>
<p style="text-align: center;">  Factory setting = ON </p>	<p><u>Models : PSC2000-3500 [-S] only</u> <u>Bypass remote switch (Bypasses the remote switch connection when no remote switch is connected)</u> ON : Remote switch connection terminals are bypassed OFF : remote switch connection terminals are open. A remote switch must be connected and switched ON in order to activate the Powersine Combi. The local on/off switch on the frontpanel always overrides the remote switch. So in order to use the remote switch, the local on/off switch must be in the 'on' or 'charger only' position.</p>

⚠ CAUTION

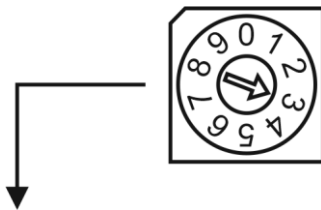
¹⁾ Invalid battery type settings can cause serious damage to your batteries and/or connected battery loads. Always consult your battery's documentation for the correct charge voltage settings.

! CAUTION

2) When charging and discharging lithium batteries with built-in BMS, please make sure to correctly size the batteries. Due to the larger Depth of Discharge capabilities of lithium batteries, it is common to install lithium batteries with a smaller capacity compared lead based types. It is however important to carefully check if these batteries can still accept the maximum charge current of the Powersine Combi without tripping its internal BMS relay. The same applies to the battery's capability to deliver the peak discharge currents that the Powersine Combi needs to power demanding AC loads. An excessively tripping BMS relay may over time cause damage to the Powersine Combi.

3.3.1 Rotary switch settings overview (S-version only)

Selecting the battery type or charge program is performed in a different way on the S-versions of the PSC2000-3500 models. Instead of DIP switches, a rotary selector switch is used which can also be found inside the connection compartment (see installation guide). Please see the table below for a settings overview.



	Battery type	Absorption ³⁾	Float ³⁾
0	Custom ⁴⁾	14.0V	13.3V
1	Flooded	14.4V	13.5V
2	Gel	14.2V	13.5V
3	AGM 14.3V (default)	14.3V	13.3V
4	AGM 14.7V	14.7V	13.3V
5	Lead Calcium	14.8V	13.5V
6	LiFePo4 14.0V	14.0V	13.3V
7	LiFePo4 14.4V	14.4V	13.8V
8	-Empty-	-	-
9	-Empty-	-	-

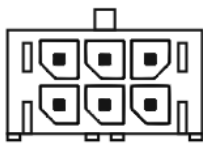
³⁾ See chapter 5.1 for more information. Multiply voltages by 2 for 24V versions

⁴⁾ When a custom battery charge program is made using the Dashboard software, the selector should be set to position 0. By default this Custom position is loaded with a standard charge program, using Absorption and Float voltage settings of respectively 14.0V and 13.3V (28.0V and 26.6V for 24V versions).

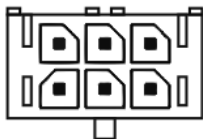
3.4 Sync Port setup (S-version only)

The S-versions of the PSC2000-3500 models are able to run in parallel (also known as stacking). Up to 3 units of the same model can be combined together, resulting in a very high power inverter/charger system. This can be accomplished by using the optional Sync Cable Kit 1.2m (TBS art# 5091951). The connection and setup of a stacked inverter/charger system is explained in a different manual that comes with this kit (or can be downloaded from our website).

For single unit installations however, it is still important to make sure that the 'Terminator' and 'Role' slide switches are in the correct position. Otherwise the inverter/charger will not function correctly.



The image on the left shows the section in the connection compartment that is reserved for setting up a stacked inverter system.



For stand alone use (a single inverter/charger), please make sure that nothing is connected to the two 6-pole INVERTER SYNC PORT connectors. Also make sure that the two slide switches are in the following positions:

INVERTER SYNC PORT



TERMINATOR → OFF



ROLE → MASTER

4. GENERAL OPERATION

4.1 Operating the Powersine Combi

The main switch on the Powersine Combi has three positions : On, Off and Charger only (see image in chapter 4.2).

When switched to On, the Powersine Combi will perform all tasks automatically. It will power up in inverter mode, supplying power to the connected load. When a grid or generator is connected to the AC input, the Powersine Combi will analyse this signal. If the voltage and frequency of this signal are both within the required limits, the Powersine Combi will synchronize to the input signal and activates the AC transfer switch automatically. Now the connected loads are being powered from the AC input source and the Powersine Combi will also start charging the battery. As soon as the voltage or the frequency of the AC input signal are exceeding the required limits (for example when the AC input signal disappears), the Powersine Combi will immediately stop charging, release the AC transfer switch and activate the inverter again. All this happens so fast, that the connected load will not be disturbed.

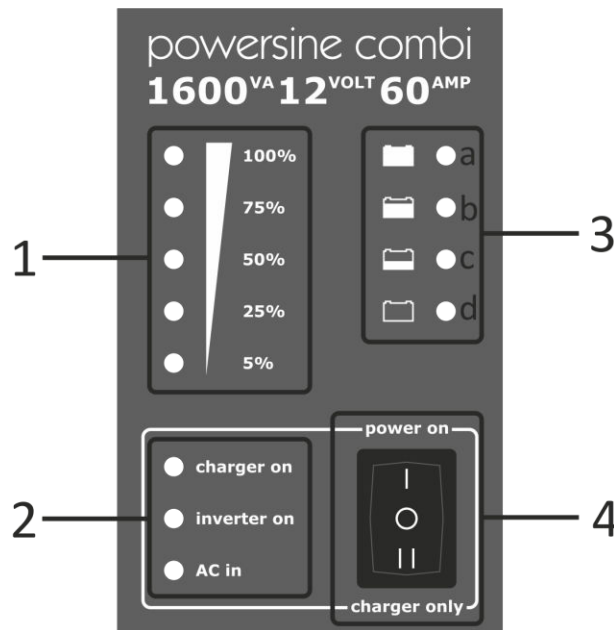
When switched to Off, the Powersine Combi is completely shut down and cannot be activated by a remote switch or the Universal Remote Control either. In this mode, the Powersine Combi will draw no current from the battery.

When switched to Charger only, the Powersine Combi will disable the inverter mode and will only work as a stand alone battery charger. As soon as a usable AC input signal is available, the Powersine Combi will activate the AC transfer switch and starts charging the battery. When the AC input signal fails, the AC transfer switch will be released again and the charger stops charging. No AC signal will be present at the Powersine Combi output when there is no AC input signal either.

Information about the LED indicators on the frontpanel and the different error mode codes, can be found in the next chapter.

4.2 Powersine Combi LED indicators and error modes

Please see the next image for an overview of all LED indicators on the Powersine Combi frontpanel, as well as the location of the main switch.



The frontpanel can be divided into four sections :

1. Dual function level bar. Indicates the percentage of delivered output power in inverter mode (turns red if more than nominal output power is being delivered to the load). In charger mode, this level bar indicates the percentage of delivered charging current.
2. Mode indicators. Indicate the operating mode of the Powersine Combi, as well as the status of each different mode (see explanation below) :

‘charger on’ LED

Off	:	not charging
On (green)	:	charging
On (blinking red)	:	error (see chapter 4.2.1)
On (red)	:	charger disabled

‘inverter on’ LED

Off	:	not inverting
On (green)	:	inverting or power boosting
On (blinking red)	:	error (see chapter 4.2.1)
On (red)	:	inverter disabled

‘AC in’ LED

Off	:	No AC input present, transfer switch open
On (blinking green)	:	AC input present and within range, Powersine Combi is synchronizing
On (green)	:	AC input approved, transfer switch closed
On (blinking red)	:	AC input present but out of range
On (red)	:	AC transfer switch disabled

3. Charge status bar. Gives a rough indication of the charging progress, see below :

LED 3a : 100% full (ready)
LED 3b : 80% full¹⁾
LED 3c : 50% full¹⁾
LED 3d : empty

4. Power on, off, charger only switch. See chapter 4.1 for more explanations.

4.2.1. Error indications

When the so called mode indicator LEDs are blinking red, an error has been detected. Each mode indicator LED can either blink red individually, or combined along with one or more other mode indicator LEDs. There are five different error indications, each with their own blinking pattern :

- One flash in a row : Battery related error (too low or too high battery voltage, too low or too high battery temperature, too high battery ripple voltage, battery defect)
- Two flashes in a row : AC overload error (AC load requires too much power from the inverter, AC output short circuit)
- Three flashes in a row : High temperature error (Powersine Combi shuts down on high temperature)
- Four flashes in a row : Device error (an error has occurred inside the Powersine Combi. Please return for service)
- Five flashes in a row : Charge program error (only for 'charger on' indicator LED). Charge program selection set to Custom, while custom made charge program contains an error or time-out.

The Powersine Combi will mostly recover from an error mode automatically when the cause of the error has been resolved. However, when an error has occurred due to a high battery ripple voltage or an AC transfer switch overcurrent, the Powersine Combi needs to be switched off and on again manually (manual restart). The Powersine Combi also needs to be restarted manually, when too many battery or overload errors have occurred within a short period of time.

4.3 Programmable Alarm relay

The Powersine Combi is equipped with one or two (depending on model) programmable potential free alarm relays. Standard, this relay (or relay 1 on PSC2000-3500 [-S] models) will be activated when the unit shuts down and jumps to an error mode. The alarm relay deactivates again when the error has been resolved and the Powersine Combi is running in normal operating mode again.

Relay 2 on the PSC2000-3500 [-S] models will be activated only after the AC supply has become available. In case of battery operation, Relay 2 will deactivate immediately. This can be used to switch less critical AC loads (i.e. electric boiler, aircon) on and off that are allowed to be supplied by the mains or generator only.

Using TBS Dashboard, it is also possible to configure the programmable relays to perform a different task, like starting a generator when the battery voltage has reached a certain low voltage level.

Both normally closed and normally open contacts of these relays are available. For the PSC1600-1800 models, the maximum relay contact ratings are 30Vdc/1A or 60Vdc/0.3A. For the PSC2000-3500 [-S] models, the maximum relay contact ratings are 30Vdc/16A or 250Vac/16A.

4.4 Trigger input

The trigger input offers a way of externally controlling the behaviour of the Powersine Combi. The trigger input can be connected to an external switch or a potential free relay contact. By closing this external switch or contact, a user programmable 'action' will be performed. Such an action could for example be to release the AC transfer switch, temporarily disable the AC input Power Boost feature or force the Powersine Combi to switch to inverter mode. All this can be configured in TBS Dashboard. The PSC1600-1800 models are equipped with one trigger input, while the PSC2000-3500 [-S] models are equipped with two trigger inputs.

4.5 Load requirements in inverter mode

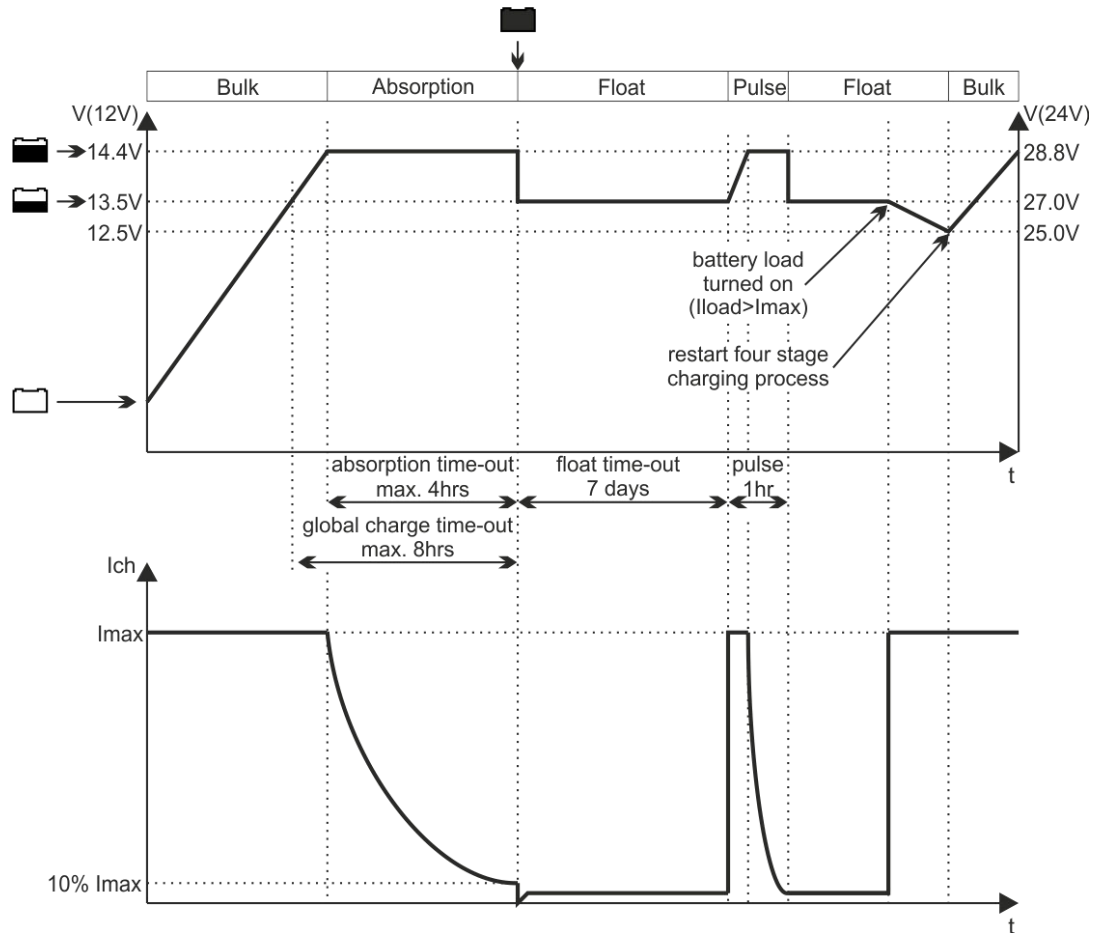
Before you connect your appliance(s) to the Powersine Combi AC output, always check it's maximum power consumption. Do not connect appliances to the AC output requiring more than the nominal power rating of the inverter continuously. Unless these appliances are switched on only when the AC transfer switch is activated, and power is drawn from an external source with a larger capacity than the inverter.

Some appliances like motors or pumps, draw large inrush currents at startup. It is possible that the startup current exceeds the overcurrent trip level of the inverter. In this case the output voltage will shortly decrease to limit the output current of the inverter. If the overcurrent trip level is continuously exceeded, the inverter will shut down and automatically restart within 20 seconds. In this case it is advisable to disconnect this appliance from the inverter, since it requires too much power to be driven by this unit. The Powersine Combi needs to be restarted manually when it has shut down due to overloads for four times in a row. Note that at higher ambient temperature levels, the overload capacity of the Powersine Combi will be reduced.

5. CHARGER OPERATION

5.1 Charge programs

All standard selectable charge programs (using DIP switches 5 and 6 or rotary selector), perform a four stage IUoUoP charging process comprising of a “Bulk”, an “Absorption”, a “Float” and a “Pulse” stage. The image below visualizes the four stage charging process :



In the Bulk stage, the charger delivers full output current and typically returns approximately 80% of charge back into the battery once the absorption voltage is reached. During this stage, the battery empty and battery 50% full indicators will be lit depending on the Bulk charge progress. When the absorption voltage has been reached, the Absorption stage will be entered and the battery 80% full indicator will be lit. This stage will return the final 20% of charge to the battery. The output voltage is kept at a constant level and the charge current decreases as a function of the battery's state of charge. When the charge current has dropped below a certain value or when the maximum absorption timer has been expired, the Float stage will be entered. The battery full Indicator will be lit and an acoustical message will sound, indicating that the battery is full. In this stage the battery voltage will be held constant at a safe level for the battery. It will maintain the battery in optimal condition for as long as the battery remains connected to the activated charger. Connected battery loads will be directly powered by the charger up to the charger's maximum output current

level. When even more current is drawn, the battery must supply this which results in a declining battery voltage. At a certain battery voltage level, the charger jumps back to the Bulk stage and will finalize a complete charging process again, once the battery load consumption has dropped below the charger's maximum output current level.

The fourth stage called "Pulse", will perform a short refresh charge of approximately 1 hour each 7 days while the charger operates in the Float stage. This will keep the battery in optimal condition while prolonging its lifetime. The battery can remain connected to the activated charger continuously, without risk of overcharging.

When the battery temperature sensor is installed, the charger automatically compensates the charge voltages against battery temperature (except when set to Lithium). This means that the charge voltages are slightly increased at lower temperatures and decreased at higher temperatures (-30mV/°C at 12V chargers and -60mV/°C at 24V chargers). This way, overcharging is prevented which prolongs your battery's lifetime.

When the standard selectable charging programs do not satisfy your requirements, or when different voltage- and current levels are needed, you can edit or create your own charge programs using TBS Dashboard. Up to 8 different stages can be linked together and all individual stages can be configured extensively.

5.2 Equalizing a flooded battery

If you are using a flooded lead acid battery, an occasional equalization charge cycle may be recommended by the manufacturer. This might also be true when the flooded battery has been very deeply discharged or often charged inadequately. During equalization, the battery will be charged up to 15.5V (31V for 24V models) at a reduced output current level. Before starting an equalization charge cycle, the following caution statements must be read carefully :

CAUTION

Equalization should only be performed on a flooded (wet) lead acid battery. Therefore the Powersine Combi only allows equalization when the battery type DIP switches are set to Flooded. Other battery types like GEL, AGM or lithium will be damaged by this process.

Always follow the battery manufacturer's instructions when equalizing flooded batteries.

During equalization, the battery generates explosive gasses. Follow all the battery safety precautions enclosed with your Powersine Combi. Ventilate the area around the battery sufficiently and ensure that there are no sources of flames or sparks in the vicinity.

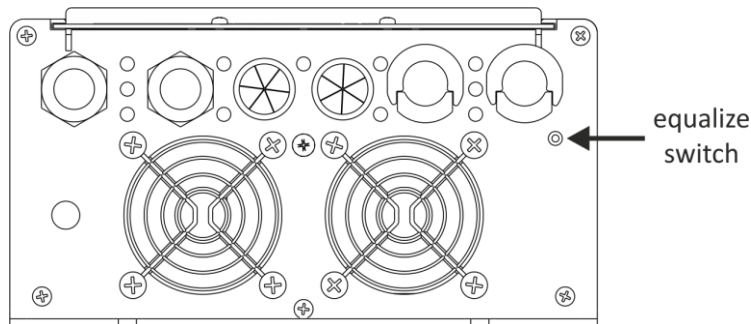
Disconnect all loads connected to the battery during equalization. The voltage applied to the battery during this process may be above safe levels for some loads.

The Powersine Combi cannot automatically determine when to stop the equalization of a battery. The user must monitor the battery's specific gravity throughout this process to determine the end of the equalization cycle. The internal 2 hours time-out timer of your

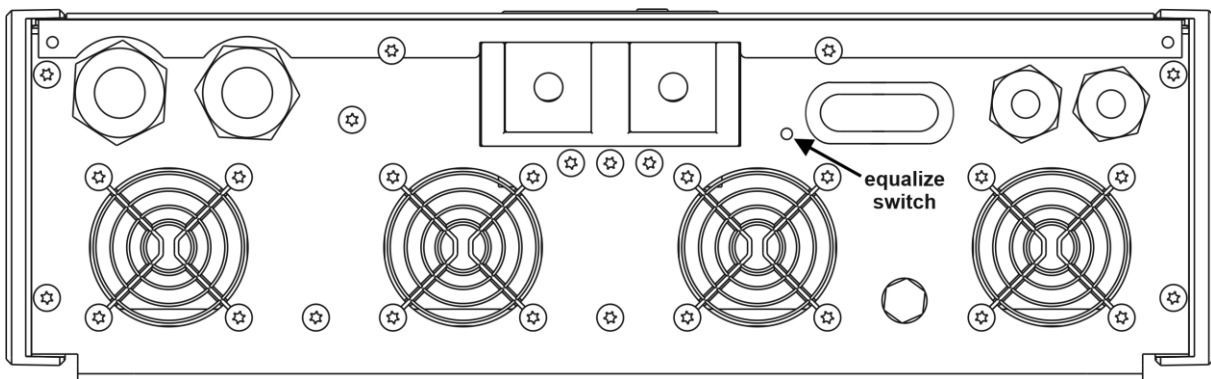
charger is only intended as a safety feature, but may not be sufficiently short to prevent battery damage. Therefore, equalizing a battery is always a process that must continuously be supervised by the user.

Since equalization is only allowed for flooded (wet-) lead acid batteries, the Powersine Combi will only allow this function to be available when the “Flooded” charging program is selected (see chapter 3.3). Besides this, the charger also needs to have a full charge cycle completed and must operate in the Float stage. When these two conditions are met, the equalization charge mode can be activated by pressing the recessed pushbutton on the bottom side of the unit (see images below) for 3 seconds, until all charge status indicators start flashing.

Models : PSC1600-1800 :



Models : PSC2000-3500 [-S]:



The Powersine Combi will allow a maximum equalization time of 2 hours before it automatically jumps back to the Float stage. If the specific gravity of each cell does not match the battery manufacturer's specifications yet, you can initiate a new 2 hours equalization cycle by pressing the pushbutton for 3 seconds again. Always keep on checking the specific gravity of each cell repeatedly during the equalization process. When these values are correct, you can manually exit the equalization process by pressing the recessed pushbutton once. The Powersine Combi will then return to the Float stage.

6. TROUBLESHOOTING GUIDELINE

Please see the table below if you experience any problems with the Powersine Combi and/or the installation.

Problem	Possible cause	Remedy
Powersine Combi is not working at all.	Main switch in Off (0) position.	Push the power switch in the 'I' or 'II' position.
	Remote switch or Universal Remote Control have deactivated the Powersine Combi.	Activate the Powersine Combi remotely or check DIP switch 8 or 10 for correct setting.
	Poor contact between the Powersine Combi battery wires and the battery terminals.	Clean battery terminals or Powersine Combi wire contacts. Tighten battery terminal screws.
	Blown DC fuse.	Check battery fuse or internal Powersine Combi fuse (PSC1600-1800 only).
	Very poor battery condition.	Replace battery.
The charger mode is not working (AC transfer switch does not activate either).	The AC input voltage or frequency are out of range or too unstable.	Make sure that the AC input voltage is between 185V - 270V and the frequency between 45Hz – 65Hz (assuming standard settings)
	Charger mode and/or the AC transfer switch are disabled during setup using Dashboard.	Enable Charger mode and the AC transfer switch using Dashboard.
The battery is not being charged up to it's maximum capacity.	Incorrect absorption charge voltage setting.	Check DIP switch 5 and 6 for correct settings. Or adjust the absorption voltage using TBS Dashboard.
	Incorrect charge current setting.	Adjust the charge current using the Universal Remote Control or TBS Dashboard. Typically, the charge current should be set to 10%-20% of the total battery capacity
	Too much voltage loss in battery cables and/or connections.	Make sure that the battery cables have a large enough diameter. Check if all DC connections are solidly made.

	Additional battery loads are consuming too much current during charging.	Turn-off or disconnect all battery loads.
Charge current is too low.	High ambient temperature.	Try to lower the ambient temperature around the Powersine Combi.
	Charger is operating in the absorption charging stage.	Do nothing. The battery is almost fully charged and consumes less current by itself.
Mode indicator LEDs 'inverter on', 'charger on' and 'AC in' are blinking red once per second (battery error).	Battery voltage is too low (< 8V@12V or <16V@24V).	Battery is damaged, replace it. Or battery has been discharged too extremely, let it slowly recover to above 8.5V so that the transfer switch and charger can startup to recharge the battery.
	Battery voltage is too high (>16.5V@12V or >33V@24V).	Check the DC system for an external source that pushes the battery voltage too high.
	Too high ripple voltage on DC input. (manual restart needed)	Check battery wire connections. Decrease battery cable length. Increase battery and/or cable size. Make sure that no other equipment on the same battery is generating a high ripple voltage.
Only mode indicator LED 'inverter on' blinks red once per second.	Battery voltage is too low (<10V@12V or <20V@24V).	Apply mains voltage to the AC input and start charging the battery. When another turn off voltage is desired in 'Battery protect On' mode, please use Dashboard
Only mode indicator LED 'inverter on' blinks red twice per second.	Inverter is overloaded.	Make sure that the total power rating of the AC output load is lower than the nominal inverter power rating.
	Connected AC output load causes a short circuit.	Make sure that the AC output load is not defective. Check if the AC output wiring and connections are not creating a short circuit.

	Connected AC output load causes a too large inrush current.	Try to power-up connected equipment successively, and not simultaneously. Otherwise stop using the connected load, it's not suitable to power it with this inverter.
Mode indicator LEDs 'inverter on' and 'charger on' are blinking red three times per second.	The Powersine Combi has shut down due to a too high temperature.	Reduce the AC output load in inverter mode. Try to reduce the ambient temperature around the Powersine Combi. Make sure that there is a clearance of at least 10cm around the unit. Do not obstruct the airflow, place no items on or over the unit. Keep the Powersine Combi away from direct sunlight or heat producing equipment.
Mode indicator LED 'AC in' blinks red once per second.	AC input signal is present but not within required voltage and frequency borders.	Make sure that the AC input voltage falls within 185V-270V and 45Hz-65Hz.
All mode indicator LEDs 'inverter on', 'charger on' and 'AC in' are blinking red twice per second (manual restart needed)	Maximum AC transfer switch current has been exceeded.	Reduce the AC output load
Mode indicator LED 'inverter on' or 'charger on' or 'AC in' is red continuously.	Either the inverter mode, or the charger mode or the AC transfer switch has been disabled using Dashboard.	Enable again using Dashboard if required.
	If only 'inverter on' is red continuously.	Powersine Combi main switch is put into 'charger only' mode, meaning that the inverter is disabled.
Output power bar is red (inverter mode).	The inverter is overloaded and will shut down after a certain time (depending on the amount of overload)	Reduce the AC output load
All mode indicator LEDs 'inverter on', 'charger on' and 'AC in' are blinking red four times.	Device or connection fault.	Powersine Combi is defective, return for service. External AC source is connected to the AC output instead of the AC input.

<p>Mode indicator LED 'charger on' blinks five times.</p>	<p>Charge program error.</p>	<p>User has selected an empty or invalid charge program ('custom' charge program is empty from factory). Advanced user made charge program contains 'go-to error' condition, for example when a charge stage takes too much time.</p>
<p>All mode indicator LEDs 'inverter on', 'charger on' and 'AC in' are continuous running in a loop.</p>	<p>Sync port setup error, or stacked system action required.</p>	<p>When operating in stand alone mode (single inverter), please check if sync port slide switch 'ROLE' is set to 'MASTER'. Make sure the unit wasn't part of a stacked system before (unit needs to be reset to stand alone use – see special stacked system manual). When operating as a stacked system (multiple units in parallel), make sure that all units are switched on and that the sync cable is properly connected and not damaged.</p>

If none of the above remedies will help solving the problem you encounter, it's best to contact your local TBS distributor for further help and/or possible repair of your Powersine Combi. Do not disassemble the Powersine Combi yourselves, there are dangerously high voltages present inside and will also void your warranty.

7. TECHNICAL SPECIFICATIONS

Parameter	PSC1600-12-60	PSC1800-24-35
Inverter stage		
Output power ¹⁾	Pnom	1300W
	P10minutes	1600W
	Psurge	2500W
Output voltage / frequency	230Vac ± 2% / 50Hz ± 0.05%	
Output waveform	True sinewave (THD < 5% ¹⁾ @ Pnom)	
Input voltage (± 3% tolerance): Nominal	12V	24V
	Range	10.0 ²⁾ – 16.5Vdc
Maximum efficiency	92%	94%
No load power consumption ³⁾ [ASB]	< 10W [2.0W]	< 12W [2.0W]
Charger stage		
AC input voltage	185 – 270Vac / 45 – 65Hz / PF > 0.95	
Maximum continuous charging current ⁴⁾	60A	35A
Standard charge voltage (bulk / float @ 25°C)	14.3V / 13.3V	28.6V / 26.6V
Charge algorithm or program	IUoUoP, intelligent 4 stage, temp. comp.	
AC Transfer switch		
Maximum continuous current	16Arms	
Transfer time (typical)	0ms (inv. → mains) / < 5ms (mains → inv.)	
General		
TBSLink enabled	Yes	
Protections	high/low battery voltage, high temperature, overload, short circuit, high ripple voltage and low AC input voltage	
DC connections	Two wires, length 1.5 meters, 35mm ²	
AC connections	Screw terminals	
Enclosure body size	351 x 210 x 114mm	
Total weight	10.7kg	
Protection class / Op. temp. / Storage temp.	IP21 / -20°C .. +50°C / -40°C .. +80°C	
Standards	CE marked meeting EMC directive 2014/30/EU and LVD 2014/35/EU. complying with EN60335-1, EN60335-2-29 and RoHS 2011/65/EU	

Note : the given specifications are subject to change without notice.

- 1) Measured with resistive load. Power ratings are subject to a tolerance of 10% and are decreasing as temperature rises with a rate of approx. 1.2%/°C starting from 25°C.
- 2) Undervoltage limit is dynamic. This limit decreases with increasing load to compensate the voltage drop across cables and connections.
- 3) Measured at nominal input voltage and 25°C
- 4) At higher ambient temperatures, maximum output current shall be reduced automatically

Parameter	PSC2000-12-80 [-S]	PSC2500-24-50 [-S]
Inverter stage		
Output power ¹⁾	Pnom	1800W
	P10minutes	2100W
	Psurge	4000W
Output voltage / frequency	230Vac ± 2% / 50Hz ± 0.05%	
Output waveform	True sinewave (THD < 5% ¹⁾ @ Pnom)	
Input voltage (± 3% tolerance): Nominal	12V	24V
	Range	10.0 ²⁾ – 16.5Vdc
		20.0 ²⁾ – 33.0Vdc
Maximum efficiency	92%	93%
No load power consumption ³⁾ [ASB]	< 20W [3.5W]	< 20W [4.0W]
Charger stage		
AC input voltage	185 – 270Vac / 45 – 65Hz / PF > 0.95	
Maximum continuous charging current ⁴⁾ (Sec.)	80A (4A)	50A (4A)
Standard charge voltage (bulk / float @ 25°C)	14.3V / 13.3V	28.6V / 26.6V
Charge algorithm or program	IUoUoP, intelligent 4 stage, temp. comp.	
AC Transfer switch		
Maximum continuous current	30Arms	
Transfer time (typical)	0ms (inv. → mains) / < 5ms (mains → inv.)	
General		
TBSLink enabled	Yes	
Protections	high/low battery voltage, high temperature, overload, short circuit, high ripple voltage and low AC input voltage	
DC connections	M10 bolt terminals	
AC connections	Screw terminals	
Enclosure body size	370 x 431 x 132mm	
Total weight	18.5kg	
Protection class / Op. temp. / Storage temp.	IP21 / -20°C .. +50°C / -40°C .. +80°C	
Standards	CE marked meeting EMC directive 2014/30/EU and LVD 2014/35/EU. complying with EN60335-1, EN60335-2-29, RoHS 2011/65/EU, UNECE-R10 for 12V model	

Note : the given specifications are subject to change without notice.

- 1) Measured with resistive load. Power ratings are subject to a tolerance of 10% and are decreasing as temperature rises with a rate of approx. 1.2%/°C starting from 25°C.
- 2) Undervoltage limit is dynamic. This limit decreases with increasing load to compensate the voltage drop across cables and connections.
- 3) Measured at nominal input voltage and 25°C
- 4) At higher ambient temperatures, maximum output current shall be reduced automatically

Parameter	PSC3000-12-120 [-S]	PSC3500-24-70 [-S]
Inverter stage		
Output power ¹⁾	Pnom	2600W
	P10min.	3200W
	Psurge	5000W
Output voltage / frequency	230Vac ± 2% / 50Hz ± 0.05%	
Output waveform	True sinewave (THD < 5% ¹⁾ @ Pnom)	
Input voltage :	Nom.	12V
	Range	10.0 ²⁾ – 16.5Vdc
Maximum efficiency	92%	
No load power consumption ³⁾ [ASB]	< 20W [3.5W]	
Charger stage		
AC input voltage	185 – 270Vac / 45 – 65Hz / PF > 0.95	
Max. cont. charging current ⁴⁾ (Sec.)	120A (4A)	70A (4A)
Standard charge voltage (bulk / float @ 25°C)	14.3V / 13.3V	28.6V / 26.6V
Charge algorithm or program	IUoUoP, intelligent 4 stage, temp. comp.	
AC Transfer switch		
Maximum continuous current	30Arms	
Transfer time (typical)	0ms (inv. → mains) / < 5ms (mains → inv.)	
General		
TBSLink enabled	Yes	
Protections	high/low battery voltage, high temperature, overload, short circuit, high ripple voltage and low AC input voltage	
DC connections	M10 bolt terminals	
AC connections	Screw terminals	
Enclosure body size	370 x 431 x 132mm	
Total weight	19.0kg	
Protection class / Op. temp. / Storage temp.	IP21 / -20°C .. +50°C / -40°C .. +80°C	
Standards	CE marked meeting EMC directive 2014/30/EU and LVD 2014/35/EU. complying with EN60335-1, EN60335-2-29, RoHS 2011/65/EU, UNECE-R10 for 12V model	

Note : the given specifications are subject to change without notice.

- 1) Measured with resistive load. Power ratings are subject to a tolerance of 10% and are decreasing as temperature rises with a rate of approx. 1.2%/°C starting from 25°C.
- 2) Undervoltage limit is dynamic. This limit decreases with increasing load to compensate the voltage drop across cables and connections.
- 3) Measured at nominal input voltage and 25°C
- 4) At higher ambient temperatures, maximum output current shall be reduced automatically

8. WARRANTY CONDITIONS

TBS Electronics (TBS) warrants this product to be free from defects in workmanship or materials for 24 months from the date of purchase. During this period TBS will repair the defective product free of charge. TBS is not responsible for any costs of the transport of this product.

This warranty is void if the product has suffered any physical damage or alteration, either internally or externally, and does not cover damage arising from improper use, or from use in an unsuitable environment.

This warranty will not apply where the product has been misused, neglected, improperly installed or repaired by anyone other than TBS. TBS is not responsible for any loss, damage or costs arising from improper use, use in an unsuitable environment, improper installing of the product and product malfunctioning.

Since TBS cannot control the use and installation (according to local regulations) of their products, the customer is always responsible for the actual use of these products. TBS products are not designed for use as critical components in life support devices or systems, that can potentially harm humans and/or the environment. The customer is always responsible when implementing TBS products in these kind of applications. TBS does not accept any responsibility for any violation of patents or other rights of third parties, resulting from the use of the TBS product. TBS keeps the right to change product specifications without previous notice.

Examples of improper use are :

- Too high AC input voltage applied
- Reverse connection of battery polarity
- Connecting wrong batteries (too high battery voltages)
- Mechanical stressed enclosure or internals due to harsh handling or incorrect packaging
- Contact with any liquids or oxidation caused by condensation

9. DECLARATION OF CONFORMITY

MANUFACTURER : TBS Electronics BV
ADDRESS : De Marowijne 3
1689 AR Zwaag
The Netherlands

Declares that the following products :

PRODUCT TYPE : Professional inverter / charger combination
MODELS : PSC1600-12-60, PSC1800-24-35, PSC2000-12-80 [-S],
PSC2500-24-50 [-S], PSC3000-12-120 [-S], PSC3500-24-70 [-S]

Conforms to the requirements of the following Directives of the European Union :

EMC Directive 2014/30/EU
Low Voltage Directive 2014/35/EU
RoHS Directive 2011/65/EU
UNECE-R10 (for PSC2000-12-80 [-S] and PSC3000-12-120 [-S])

The above product is in conformity with the following harmonized standards :

EN61000-6-3 : 2007/A1:2011	EMC - Generic Emissions Standard
EN61000-6-2 : 2005	EMC - Generic Immunity Standard
EN60335-1 : 2012	Generic safety standard
EN60335-2-29 : 2004	Safety requirements for battery chargers



Please act according to your local rules and do not dispose of your old products with your normal household waste. The correct disposal of your old product will help prevent potential negative consequences for the environment and human health.

INHOUDSOPGAVE

1. INLEIDING	32
2. ALGEMEEN.....	33
3. HET CONFIGUREREN VAN DE POWERSINE COMBI	34
3.1 Algemeen	34
3.2 Standaard fabrieksinstellingen.....	34
3.3 Overzicht van de DIP switch instellingen	37
3.3.1 Draaischakelaar instellingen overzicht (alleen S-versie).....	40
3.4 De Sync Port (alleen S-versie)	41
4. ALGEMENE WERKING.....	42
4.1 Bediening van de Powersine Combi.....	42
4.2 Powersine Combi LED indicatoren en error modes	42
4.2.1. Error indicatoren	44
4.3 Programmeerbaar Alarm relais.....	44
4.4 Trigger ingang.....	45
4.5 Belastingseisen in omvormer modus	45
5. CHARGER OPERATION	46
5.1 Laad programma's.....	46
5.2 Het "Equalizen" van een open lood-zuur accu	47
6. STORINGSTABEL	49
7. TECHNISCHE SPECIFICATIES	53
8. GARANTIE / AANSPRAKELIJKHEID FABRIKANT	56
9. CONFORMITEITSVERKLARING	56

1. INLEIDING

Bedankt voor de aanschaf van een TBS Electronics (TBS) Powersine Combi omvormer/lader combinatie! Het is belangrijk deze gebruiksaanwijzing te lezen voor een correct en veilig gebruik van dit product. Aanbevolen wordt om deze gebruiksaanwijzing plus alle andere bijgesloten documentatie, in de buurt van dit product te houden voor het toekomstig naslaan van informatie. Voor de meest recente gebruiksaanwijzing kunt u altijd de downloads pagina op onze website bezoeken.

Het doel van deze gebruiksaanwijzing is om de bediening en configuratie van de Powersine Combi uit te leggen. Voor de installatie is een separaat installatie voorschriften document bijgesloten. Dit document is bedoelt voor installateurs welke kennis en ervaring hebben op het gebied van het installeren van elektrische apparatuur. Tevens is kennis noodzakelijk betreffende de lokaal geldende normen voor elektrische installaties en dient de installateur zich ervan bewust te zijn te werken met gevaarlijke spanningen en zeer hoge stromen.



WAARSCHUWING

Zorg ervoor dat u voordat u verder gaat met deze gebruiksaanwijzing, ook de bijgesloten veiligheidsflyer en installatievoorschriften heeft gelezen!

2. ALGEMEEN

De Powersine Combi is een alles-in-één combinatie van een pure sinus omvormer, een geavanceerde meertraps acculader en een ultra snelle AC transfer switch. Dit alles samengevoegd in een compacte en installatie vriendelijke behuizing. Naast deze drie basis functionaliteiten, worden er ook nog een aantal ander unieke opties geboden. Een aantal van deze opties maken optimaal gebruik van de sterke interactie tussen de drie basis functionaliteiten.

De Powersine Combi gedraagt zich hoofdzakelijk als een ononderbroken AC voeding (UPS). Wanneer het aangesloten lichtnet of generator buiten het bereik valt of losgekoppeld wordt, zal de Powersine Combi onmiddellijk stoppen met laden, de AC transfer switch openen en de omvormer activeren om de aangesloten belasting van energie te blijven voorzien. Dit alles gebeurt dermate snel, dat zelfs zeer kritische belastingen zoals computers zonder problemen door blijven werken. Wanneer het lichtnet of generator weer aangesloten wordt en de spannings- en frequentie nivo's binnen het bereik liggen, zal de Powersine Combi de AC transfer switch weer sluiten en aanvangen met laden. De aangesloten belasting zal nu weer gevoed worden vanuit het lichtnet of de generator.

Verder biedt de Powersine Combi de volgende mogelijkheden :

- **AC Input Power Boost**, waarbij tijdelijk een zwakke AC ingangsbron ondersteund kan worden, wanneer de belasting meer vermogen vraagt dan de AC ingangsbron kan leveren. Hierbij werkt de omvormer parallel aan de AC ingangsbron.
- **AC Input Current Limit**, waarbij automatisch de maximale ingangsstroom gelimiteerd wordt, welke de Powersine Combi verbruikt. Deze limiet is door de gebruiker in te stellen.
- **Power Factor gecorrigeerde AC Ingang**, optimaliseert het vermogensrendement en zorgt voor een maximale laadstroom per Watt ingangsvermogen.
- **Intelligente 4-staps laadprogramma's**, eventueel door de gebruiker zelf verder te optimaliseren, zodat elk batterij type veilig geladen kan worden.
- **Volledig programmeerbare omvormer, AC transfer switch en lader parameters**, door gebruik te maken van de TBS Dashboard voor Windows software.
- **Programmeerbaar alarm relais**, voor optimale controle over externe apparatuur, zoals het starten van een generator of selectieve afschakeling van de belasting.
- **Vrij toe te wijzen trigger ingang**, voor geavanceerde gebruikers controle over de Powersine Combi door middel van externe 'events'.
- **Temperatuur afhankelijke ventilator snelheid**, garandeert een zo stil mogelijke werking van de Powersine Combi.
- **Temperatuur gecompenseerd laden**, door toepassing van de standaard meegeleverde accu temperatuur sensor, voor een maximale accu levensduur.
- **Parallel schakelbaar (alleen S-modellen)**, tot en met 3 units kunnen parallel geschakeld worden, om nog hogere uitgangsvermogens en laadstromen te bereiken.

3. HET CONFIGUREREN VAN DE POWERSINE COMBI

3.1 Algemeen

De Powersine Combi kan op twee manieren geconfigureerd worden. Met behulp van de DIP switches in het aansluit compartiment, kunnen een klein aantal basis instellingen gemaakt worden. In de meeste gevallen is dit voldoende om de Powersine Combi snel in te stellen voor de gemiddelde applicatie. Een andere optie is om de Powersine Combi te configureren met behulp van de TBS Dashboard for Windows software. Deze software wordt geleverd bij de optionele "TBSLink to USB Communication Kit (art.# 5092120)", welke tevens een geïsoleerde interface box bevat om de Powersine Combi aan te sluiten op een PC. Met behulp van TBS Dashboard kunnen alle beschikbare parameters aangepast worden. Tevens is het mogelijk om zelf een laad programma te maken.

LET OP

Wanneer de Powersine Combi geconfigureerd wordt m.b.v. TBS Dashboard, moet DIP switch 1 op ON (External) gezet worden. Wanneer deze op ON staat, worden alle overige DIP switch instellingen (2 t/m 7 of 9) genegeerd. De Powersine Combi zal dan altijd de instellingen gebruiken zoals geconfigureerd in TBS Dashboard.

Wanneer DIP switch 1 op OFF (Local) gezet wordt, zullen DIP switches 2 t/m 7 of 9 de in TBS Dashboard gemaakte instellingen overschrijven met de actuele DIP switch waardes. De parameter instellingen welke niet m.b.v. DIP switches gemaakt kunnen worden, zullen dan terugkeren naar de standaard fabriekswaardes.

Deze gebruiksaanwijzing beschrijft enkel de DIP switch instellingen en alle relevante standaard fabrieksinstellingen. Configuratie m.b.v. TBS Dashboard zal worden uitgelegd in de TBS Dashboard gebruiksaanwijzing, geleverd bij de "TBSLink to USB Communication Kit".

3.2 Standaard fabrieksinstellingen

De onderstaande tabel geeft een overzicht van de meest relevante standaard fabrieksinstellingen voor diverse parameters. De instellingen zijn gebaseerd op een gemiddelde applicatie. TBS kan niet garanderen dat deze correct zijn voor uw specifieke applicatie. Controleer alle instellingen zorgvuldig, vooral de acculaadspanningen.

Parameter	Omvormer frequentie
Waarde	50Hz
Beschrijving	Uitgangsfrequentie in omvormer mode. Kan op 50Hz of 60Hz ingesteld worden
Te configureren met	DIP switch 2 en Dashboard
Parameter	Omvormer spanning
Waarde	230V
Beschrijving	Uitgangsspanning in inverter mode. Kan van 200V t/m 240V ingesteld worden.



Te configureren met	Dashboard
Parameter	Low Battery Protect
Waarde	Aan (On)
Beschrijving	Schakelt de beveiliging voor te lage accu spanning in of uit. Wanneer ingeschakeld zijn door de gebruiker de uitschakel spanning, de herstart spanning en de vertragingstijd in te stellen (standaard waardes zijn respectievelijk 10V, 12V en 5 seconden). Wanneer uitgeschakeld zal de omvormer direct stoppen bij een accu spanning van 8.0V of lager. (Spanningen 'x2' bij 24V versies).
Te configureren met	DIP switch 3 en Dashboard
Parameter	Automatic Stand By (ASB)
Waarde	Uit (Off)
Beschrijving	Schakelt ASB in of uit. Wanneer ingeschakeld zal de omvormer vanuit de continu mode automatisch naar de ASB mode springen, als de belasting onder een bepaald verbruiksnivo komt. In ASB mode genereert de omvormer een pulserende sinus aan de uitgang, om te detecteren wanneer de belasting meer vermogen vraagt. Zolang de Powersine Combi in ASB mode staat, verbruikt deze aanzienlijk minder stroom van de accu. Op het moment dat de belasting meer vermogen vraagt, zal de omvormer automatisch weer terugspringen naar de continu mode. Wanneer ASB uitgeschakeld wordt, zal de omvormer altijd in continu mode opereren. Dit is beter voor kritische belastingen zoals computers, klokken en A/V apparatuur.
Te configureren met	DIP switch 4 en Dashboard
Parameter	AC ingangsspanningsbereik (transfer switch)
Waarde	180V – 270V
Beschrijving	Dit is het ingangsspanningsbereik welke wordt geaccepteerd door de Powersine Combi om door te geven aan de aangesloten belasting. Er kunnen twee AC onderspanningswaardes ingesteld worden. Een absolute onderspanning waarbij direct de AC transfer switch opent wanneer deze overschreden wordt (fabrieksinstelling = 150V), en een vertraagde onderspanning welke de AC transfer switch opent na een bepaalde tijd (fabrieksinstelling=180V en 5 seconden). Het laderdeel stopt met werken wanneer de ingangsspanning onder de 185V zakt, en herstart weer boven de 190V.
Te configureren met	Dashboard
Parameter	AC ingangsfrequentiebereik
Waarde	45Hz – 65Hz
Beschrijving	Dit is het ingangsfrequentiebereik welke wordt geaccepteerd door de Powersine Combi. Deze kan ingesteld worden op het volle bereik (45Hz – 65Hz), of op een kleiner bereik binnen de 45Hz en 65Hz grenzen.
Te configureren met	Dashboard
Parameter	AC Input Current Limit
Waarde	16.0A of 30.0A (afhankelijk van model)





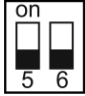
Beschrijving	Deze waarde representeert de maximale continue stroom welke de Powersine Combi opneemt van de AC ingangsbron. Om dit te realiseren zal de Powersine Combi of de laadstroom automatisch reduceren, of (wanneer ingeschakeld) de AC Input Power Boost functie activeren. De AC Input Power Boost functie zal de benodigde extra stroom bijleveren, door de omvormer parallel aan de AC ingangsbron te laten werken. Wanneer de belasting dan nog steeds teveel stroom opneemt, kan de installateur kiezen om de AC transfer switch te openen, of deze gesloten te houden en toestaan dat de AC Input Current Limit waarde wordt overschreden. Deze waarde kan worden ingesteld van 1.0A t/m 16.0A of 2.0A t/m 30A (afhankelijk van model) in Dashboard of met de optionele Universal Remote Control.
Te configureren met	Dashboard and Universal Remote Control
Parameter	AC Input Power Boost
Waarde	Uit (Off)
Beschrijving	AC Input Power Boost kan tijdelijk een zwakke AC ingangsbron ondersteunen, wanneer de belasting meer vermogen vraagt dan de AC ingangsbron kan leveren. Hierbij werkt de omvormer parallel aan de AC ingangsbron. De omvormer kan maximaal het nominale omvormer vermogen bij leveren, uitgaande van een gezonde accu. Deze parameter kan aan (On) of uit (Off) gezet worden.
Te configureren met	DIP switch 7 en Dashboard
Parameter	Ground relais
Waarde	Geactiveerd (Enabled)
Beschrijving	Het ground relais verbindt automatisch de nul (N) met aarde (PE) aan de uitgang, wanneer de Powersine Combi in omvormer mode werkt. Op deze manier is het mogelijk een aardlek schakelaar in de AC uitgang op te nemen. Wanneer een zwevende uitgang wenselijk is, kan deze Parameter gedeactiveerd worden.
Te configureren met	DIP switch 8 (alleen bij modellen PSC2000-3500 [-S]) en Dashboard
Parameter	AC input fail sensitivity
Waarde	Normaal (Normal)
Beschrijving	Deze parameter kan ingesteld worden op 'Very Low', 'Low', 'Normal', 'High' en 'Very High'. De waarde van deze parameter bepaald hoe snel de Powersine Combi een signaal verlies detecteert op de AC ingang. De lagere instellingen resulteren in een tragere omschakeling van AC ingangsbron → omvormer, terwijl de hogere instellingen in de snelste omschakel tijden resulteren. De instellingen 'Low' en 'Very Low' kunnen gebruikt worden wanneer de ingangsspanning vervormt of onstabiel is, bijvoorbeeld bij toepassing van een kleine generator. De instellingen 'High' en 'Very High' kunnen gebruikt worden wanneer de Powersine Combi is aangesloten op een solide lichtnet of zwaardere (kwaliteits-) generator. De fabrieksinstelling 'Normal' is een goed compromis tussen een snelle omschakeltijd (< 5ms) en een redelijke immuniteit voor vervormde AC ingangssignalen.
Te configureren met	Dashboard





Parameter	Accu type / Laad programma
Waarde	AGM
Beschrijving	De fabrieksinstelling van deze Parameter is AGM, welke geschikt is voor de meeste AGM type accu's. Tevens is dit programma geschikt voor enkele andere lood zwavelzuur gebaseerde accu's. <u>Controleer altijd of het gekozen laad programma geschikt is voor de toegepaste accu!</u> Het AGM laadprogramma heeft een 'absorption' spanning van 14.3V (28.6V@24V) en een 'float' spanning van 13.3V (26.6V@24V). Andere selecteerbare laad programma's zijn 'Flooded (nat)', 'GEL' en 'Lithium/Custom'. Voor meer laad programma informatie, zie de hoofdstukken 3.3 en 5.1.
Te configureren met	DIP switch 5 en 6 (S-versie: draaischakelaar pos. 3) en Dashboard
Parameter	Laadstroom limiet
Waarde	100%
Beschrijving	Met behulp van deze Parameter kan de maximale laadstroom in procent ingesteld worden. Deze waarde kan ingesteld van 10% t/m 100% in Dashboard of de optionele Universal Remote Control. Deze waarde kan gereduceerd worden wanneer de aangesloten accu te klein is en de maximum laadstroom daardoor te hoog. Deze waarde kan ook gereduceerd worden wanneer het wenselijk is om (tijdelijk) het stroom verbruik van de Powersine Combi in lader mode te verlagen.
Te configureren met	Dashboard, Universal Remote Control en DIP switch 5 en 6 (alleen bij S-versie)

3.3 Overzicht van de DIP switch instellingen

In stap 3 van de installatie voorschriften is het mogelijk de fabrieksinstellingen van de DIP switches te wijzigen. Dit kan wenselijk zijn om de functionaliteit van de Powersine Combi te wijzigen. Voor meer specifieke informatie over de fabrieksinstellingen, zie het vorige hoofdstuk (3.2). De volgende instellingen kunnen worden gemaakt :

	Uitleg instellingen
 Fabrieksinstelling = OFF	<p><u>Lokale / Externe Programmering</u></p> <p>ON (Extern) : DIP switches 2 t/m 7 of 9 worden genegeerd en de Powersine Combi zal altijd de Parameter instellingen gebruiken zoals geconfigureerd in TBS Dashboard.</p> <p>OFF (Lokaal) : De lokale DIP switch instellingen worden gebruikt. Alle andere Parameter instellingen staan op de fabriekswaarden.</p>

 <p>Fabrieksinstelling = OFF</p>	<p><u>Omvormer uitgangsfrequentie</u></p> <p>ON : Uitgangsfrequentie is 60Hz</p> <p>OFF : Uitgangsfrequentie is 50Hz</p>
 <p>Fabrieksinstelling = ON</p>	<p><u>Low battery protect</u></p> <p>ON : Low battery protect is geactiveerd</p> <p>OFF : Low battery protect is gedeactiveerd (onmiddellijke omvormer uitschakeling bij een Uaccu < 8.0V)</p>
 <p>Fabrieksinstelling = OFF</p>	<p><u>ASB mode</u></p> <p>ON : ASB mode is geactiveerd</p> <p>OFF : ASB mode is deactiveerd</p>
<div style="display: flex; flex-direction: column; align-items: center;">  <p>Fabrieksinstelling 5 = OFF Fabrieksinstelling 6 = ON</p>  <p>Fabrieksinstelling 5 = OFF Fabrieksinstelling 6 = OFF</p> </div>	<p><u>Niet S-versie: Accu type / Laadprogramma (12V / 24V)¹⁾</u></p> <p>5 = OFF : Accu type = 'Flooded' (nat)</p> <p>6 = OFF : 'Absorption' spanning = 14.4V / 28.8V 'Float' spanning = 13.5V / 27.0V</p> <p>5 = ON : Accu type = GEL</p> <p>6 = OFF : 'Absorption' spanning = 14.2V / 28.4V 'Float' spanning = 13.5V / 27.0V</p> <p>5 = OFF : Accu type = AGM</p> <p>6 = ON : 'Absorption' spanning = 14.3V / 28.6V 'Float' spanning = 13.3V / 26.6V</p> <p>5 = ON : Accu type = Lithium²⁾ / Custom</p> <p>6 = ON : 'Absorption' spanning = 14.4V / 28.8V (program.) 'Float' spanning = 13.3V / 26.6V (program.)</p> <p><u>S-versie: Laadstroom limiet</u></p> <p>5 = OFF : 100% (variabel, aanpassen via Universal Remote</p> <p>6 = OFF : Control of Dashboard toegestaan)</p> <p>5 = ON : 100% (vast, niet aanpasbaar via Universal Remote</p> <p>6 = OFF : Control of Dashboard)</p> <p>5 = OFF : 75% (vast, niet aanpasbaar via Universal Remote</p> <p>6 = ON : Control of Dashboard)</p> <p>5 = ON : 50% vast, niet aanpasbaar via Universal Remote</p> <p>6 = ON : Control of Dashboard)</p>

 <p>Fabrieksinstelling = OFF</p>	<p><u>AC Input Power Boost</u> ON : AC Input Power Boost is geactiveerd OFF : AC Input Power Boost is gedeactiveerd</p>
 <p>Fabrieksinstelling = ON</p>	<p><u>Modellen : PSC1600-1800</u> <u>Overbrug 'remote switch' (Overbrugt de 'remote switch' aansluiting wanneer er geen 'remote switch' is aangesloten.</u> ON : 'remote switch' aansluitingen zijn overbrugd OFF : 'remote switch' aansluitingen zijn niet overbrugd. Sluit een schakelaar aan op de daarvoor bestemde connectoren. Deze moet ingeschakeld worden om de Powersine Combi aan te zetten. De hoofd schakelaar op het frontpaneel heeft altijd de hoogste prioriteit. Dus om de 'remote switch' te kunnen gebruiken, moet de hoofd schakelaar altijd op 'on' of 'charger only' staan.</p> <p><u>Modellen : PSC2000-3500 [-S]</u> <u>Ground relais</u> ON : Ground relais is geactiveerd OFF : Ground relais is gedeactiveerd</p>
 <p>Fabrieksinstelling = OFF</p>	<p><u>Modellen : PSC2000-3500 [-S]</u> Gereserveerd</p>
 <p>Fabrieksinstelling = ON</p>	<p><u>Modellen : PSC2000-3500 [-S]</u> <u>Overbrug 'remote switch' (Overbrugt de 'remote switch' aansluiting wanneer er geen 'remote switch' is aangesloten.</u> ON : 'remote switch' aansluitingen zijn overbrugd OFF : 'remote switch' aansluitingen zijn niet overbrugd. Sluit een schakelaar aan op de daarvoor bestemde connectoren. Deze moet ingeschakeld worden om de Powersine Combi aan te zetten. De hoofd schakelaar op het frontpaneel heeft altijd de hoogste prioriteit. Dus om de 'remote switch' te kunnen gebruiken, moet de hoofd schakelaar altijd op 'on' of 'charger only' staan.</p>

! LET OP

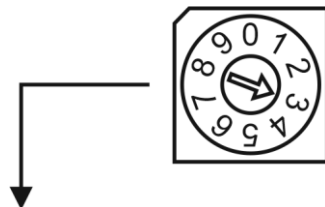
1) Een verkeerde accu type instelling, kan serieuze schade aanbrengen aan de accu of belastingen welke op de accu zijn aangesloten. Raadpleeg te allen tijde de specificaties van de accu voor de correcte laadspanningen en stromen.

! LET OP

2) Zorg er bij het laden en ontladen van lithium accu's met ingebouwd BMS voor, dat u de accu's correct dimensioneert. Vanwege de grotere ontladingsdieptemogelijkheden van lithium accu's, is het gebruikelijk om lithium accu's met een kleinere capaciteit te installeren in vergelijking met op lood gebaseerde typen. Het is echter belangrijk om zorgvuldig te controleren of deze accu's nog steeds de maximale laadstroom van de Powersine Combi kunnen accepteren, zonder dat het interne BMS beveiligingsrelais geactiveerd wordt. Hetzelfde geldt voor de geschiktheid van de accu om de piekontladingsstromen te leveren die de Powersine Combi nodig heeft om veeleisende AC-belastingen van stroom te voorzien. Een overmatig schakelend BMS beveiligingsrelais kan na verloop van tijd schade aan de Powersine Combi veroorzaken.

3.3.1 Draaischakelaar instellingen overzicht (alleen S-versie)

Het selecteren van het accu type of laadprogramma, gebeurt bij de S-versies van de PSC2000-3500 units op een andere manier. In plaats van DIP switches wordt een draaischakelaar gebruikt. Deze is ook in het aansluitcompartiment te vinden is (zie installatiehandleiding). Zie de onderstaande tabel voor een overzicht van de instellingen.



	Accu type	Absorption ³⁾	Float ³⁾
0	Custom ⁴⁾	14.0V	13.3V
1	Flooded	14.4V	13.5V
2	Gel	14.2V	13.5V
3	AGM 14.3V (default)	14.3V	13.3V
4	AGM 14.7V	14.7V	13.3V
5	Lead Calcium	14.8V	13.5V
6	LiFePo4 14.0V	14.0V	13.3V
7	LiFePo4 14.4V	14.4V	13.8V
8	-Niet gebruikt-	-	-
9	-Niet gebruikt -	-	-

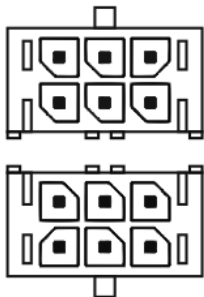
³⁾ Zie hoofdstuk 5.1 voor meer informatie. Voor 24V versies van de Powersine Combi, vermenigvuldig deze spanningswaarden met een factor 2.

- 4) Wanneer een 'Custom' laadprogramma wordt gemaakt met behulp van de Dashboard-software, moet de selector op positie 0 worden gezet. Af fabriek wordt deze positie 0 geladen met een standaard laadprogramma, waarbij de Absorption- en Float-spanningen respectievelijk 14,0 V en 13,3 V zijn (28,0 V en 26,6 V voor 24 V-versies).

3.4 De Sync Port (alleen S-versie)

De S-versies van de PSC2000-3500 modellen kunnen parallel geschakeld worden (ook wel 'stacking' genoemd). Tot en met 3 units van hetzelfde model kunnen met elkaar gecombineerd worden, wat resulteert in een hoogvermogen omvormer/lader systeem. Dit kan worden gerealiseerd met behulp van de optionele 'Sync Cable Kit 1.2m' (TBS art# 5091951). De installatie van een parallel geschakeld omvormer/lader systeem wordt verder uitéén gezet in een separate gebruiksaanwijzing. Deze wordt verstrekt bij bovengenoemde kit of kan uiteraard worden gedownload via onze website.

Voor de installatie van een enkele Powersine Combi is het echter belangrijk om te controleren of de 'Terminator' en 'Role' schakelaars in de correcte positie staan. Zo niet dan kan dit een incorrecte werking van de omvormer/lader veroorzaken.



De afbeelding links toont de sectie in het aansluitcompartiment welke gereserveerd is voor parallel geschakelde toepassingen.

Voor een enkele omvormer/lader installatie mag er niets aangesloten zijn op de twee INVERTER SYNC PORT connectors. Zorg er ook voor dat de twee schuifschakelaars in de volgende posities staan:

INVERTER SYNC PORT



TERMINATOR → OFF



ROLE → MASTER

4. ALGEMENE WERKING

4.1 Bediening van de Powersine Combi

De hoofdschakelaar op het frontpaneel van de Powersine Combi heeft drie posities : 'On', 'Off' en 'Charger only' (zie afbeelding in hoofdstuk 4.2).

Wanneer ingeschakeld op 'On', zal de Powersine Combi alle taken automatisch vervullen. Er wordt opgestart in omvormer mode welke de aangesloten belasting zal voeden. Tegelijkertijd zal de Powersine Combi continu de AC ingang in de gaten houden. Wanneer er qua spanningsnivo en frequentie een bruikbaar signaal verschijnt op de AC ingang (b.v. nadat er een generator is opgestart), zal Powersine Combi synchroniseren met dit ingangssignaal en vervolgens de AC transfer switch sluiten. Nu wordt de aangesloten belasting gevoed door de AC ingangsbron en kan de Powersine Combi tevens aanvangen met het laden van de accu. Wanneer de spanning of frequentie van het ingangssignaal de ingestelde grenzen overschrijdt (b.v. omdat de AC ingangsbron wordt afgekoppeld), zal de Powersine Combi onmiddellijk stoppen met laden, de AC transfer switch openen en de omvormer activeren. Dit alles gebeurt dermate snel, dat de aangesloten belasting hiervan niets zal merken.

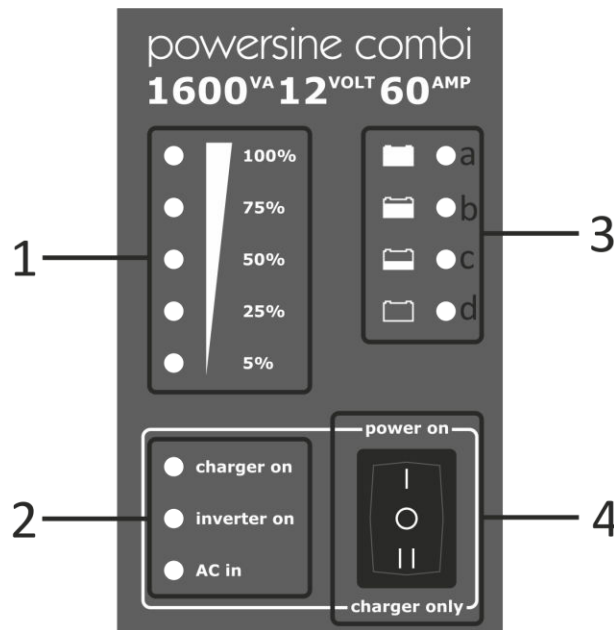
Wanneer de hoofdschakelaar op 'Off' staat, is de Powersine Combi volledig uitgeschakeld en kan ook niet worden ingeschakeld door een remote switch of de Universal Remote Control. In deze 'Off' mode zal de Powersine Combi geen stroom verbruiken van de accu.

Wanneer ingeschakeld op 'Charger only', zal de Powersine Combi het omvormer deel uitschakelen en alleen als lader functioneren. Als er een bruikbaar AC ingangssignaal aanwezig is, sluit de AC transfer switch en vangt het laad proces aan. Wanneer het AC ingangssignaal faalt, opent de AC transfer switch weer en het laad proces wordt gestaakt. In deze conditie is er ook geen AC signaal aanwezig op de uitgang van de Powersine Combi.

Informatie betreffende de LED indicatoren en de diverse error modes, staat vermeld in het volgende hoofdstuk.

4.2 Powersine Combi LED indicatoren en error modes

In de volgende afbeelding ziet u een overzicht van alle indicatoren op het Powersine Combi frontpaneel, plus de locatie van de hoofdschakelaar.



Het frontpaneel kan worden opgedeeld in de volgende secties :

1. Multifunctionele nivo indicator. Geeft een procentuele indicatie weer van het geleverde uitgangsvermogen in omvormer mode (kleurt rood wanneer meer dan het nominale vermogen wordt geleverd aan de belasting). In lader mode geeft deze indicator het laadstroom percentage aan.
2. Mode indicatoren. Geven aan in welke modus de Powersine Combi zich bevindt, en wat de status van de diverse modi is (zie uitleg hieronder) :

‘charger on’ LED

Uit	: Lader niet actief
Aan (groen)	: Lader actief
Aan (knipperend rood)	: Error (zie hoofdstuk 4.2.1)
Aan (rood)	: Lader gedeactiveerd

‘inverter on’ LED

Uit	: Omvormer niet actief
Aan (groen)	: Omvormer actief of Power Boost actief
Aan (knipperend rood)	: Error (zie hoofdstuk 4.2.1)
Aan (rood)	: Omvormer gedeactiveerd

‘AC in’ LED

Uit	: Geen AC ingangssignaal, AC transfer switch is open
Aan (knipperend groen)	: AC ingangssignaal aanwezig en binnen bereik, Powersine Combi is bezig met synchroniseren
Aan (groen)	: AC ingangssignaal is goedgekeurd, AC transfer switch is gesloten

Aan (knipperend rood)	: AC ingangssignaal aanwezig maar buiten het bereik
Aan (rood)	: AC transfer switch gedeactiveerd

3. Laad status indicator. Geeft een ruwe indicatie van de laadvoortgang, zie hieronder :

LED 3a	: 100% vol (laden gereed)
LED 3b	: 80% vol
LED 3c	: 50% vol
LED 3d	: leeg

4. Hoofdschakelaar. Zie hoofdstuk 4.1 voor uitleg.

4.2.1. Error indicatoren

Wanneer de mode indicatoren rood knipperen, is er een error gedetecteerd. Elke mode indicator LED kan individueel knipperen, of gecombineerd met één of twee andere mode indicator LED's. Er zijn vijf verschillende error modes, welke elk een eigen flits patroon hebben :

Eén flits per keer	: Accu gerelateerde error (Te lage of hoge accuspanning, te lage of hoge accu temperatuur, te hoge rimpelspanning, accu defect)
Twee flitsen per keer	: AC overbelasting error (AC belasting te hoog voor de omvormer, kortsluiting op de AC uitgang)
Drie flitsen per keer	: Hoge temperatuur error (De Powersine Combi schakelt zichzelf uit vanwege een te hoge temperatuur)
Vier flitsen per keer	: Apparaat error (Er is een fout geconstateerd in de Powersine Combi. Deze dient geretourneerd te worden voor service)
Vijf flitsen per keer	: Laadprogramma error (alleen geldig voor 'charger on' LED). Laadprogramma selectie staat op Custom, terwijl het Custom laadprogramma een fout bevat.

De Powersine Combi herstelt in de meeste gevallen automatisch van een error mode, wanneer de oorzaak van de error opgelost is. Echter wanneer er een error optreedt vanwege een te hoge DC rimpelspanning of een te hoge AC transfer switch stroom, is een manuele herstart van de Powersine Combi noodzakelijk (uit- en inschakelen van de hoofdschakelaar). De Powersine Combi moet ook manueel herstart worden wanneer er meerdere accu- of overbelasting errors kort achter elkaar gedetecteerd worden.

4.3 Programmeerbaar Alarm relais

De Powersine Combi is uitgerust met één of twee (afhankelijk van model) potentiaalvrije alarm relais. Standaard zal dit relais (of relais 1 bij de PSC2000-3500 [-S] modellen) sluiten wanneer de Powersine Combi uitschakelt en naar een error mode springt. Het alarm relais zal weer openen wanneer de error conditie opgelost is en de unit weer normaal opereert.

Relais 2 bij de PSC2000-3500 [-S] modellen wordt alleen geactiveerd wanneer er een AC ingangsbron aanwezig is. Dit relais wordt direct gedeactiveerd wanneer er vanuit de accu gewerkt wordt. Deze functionaliteit kan worden gebruikt om minder kritische belastingen (zoals een boiler of airco) aan- en uit te schakelen, wanneer deze alleen vanuit het net of generator mogen werken.

Met behulp van TBS Dashboard, is het ook mogelijk om de programmeerbare relais zo te configureren dat deze andere taken kunnen vervullen, zoals bijvoorbeeld het starten van een generator wanneer de accuspanning een bepaalde waarde heeft bereikt.

Zowel de normaal gesloten als de normaal geopende relais contacten zijn beschikbaar. Bij de PSC1600-1800 modellen zijn deze relais contacten maximaal belastbaar met 30Vdc/1A of 60Vdc/0.3A. Bij de PSC2000-3500 [-S] modellen zijn deze relais contacten maximaal belastbaar met 30Vdc/16A of 250Vac/16A.

4.4 Trigger ingang

De trigger ingang biedt de mogelijkheid om het gedrag van de Powersine Combi extern te besturen. Op deze ingang kan een externe schakelaar of potentiaal vrij relais contact aangesloten worden. Wanneer deze externe schakelaar of relais contact gesloten wordt, kan een door de gebruiker ingestelde 'action' geactiveerd worden. Een 'action' kan bijvoorbeeld het openen van de AC transfer switch zijn, het uitschakelen van de AC Input Power Boost mogelijkheid of het naar omvormer modus forceren van de Powersine Combi. Dit alles kan geconfigureerd worden in TBS Dashboard. De PSC1600-1800 modellen zijn uitgerust met één trigger ingang, terwijl de PSC2000-3500 [-S] modellen twee van deze ingangen hebben.

4.5 Belastingseisen in omvormer modus

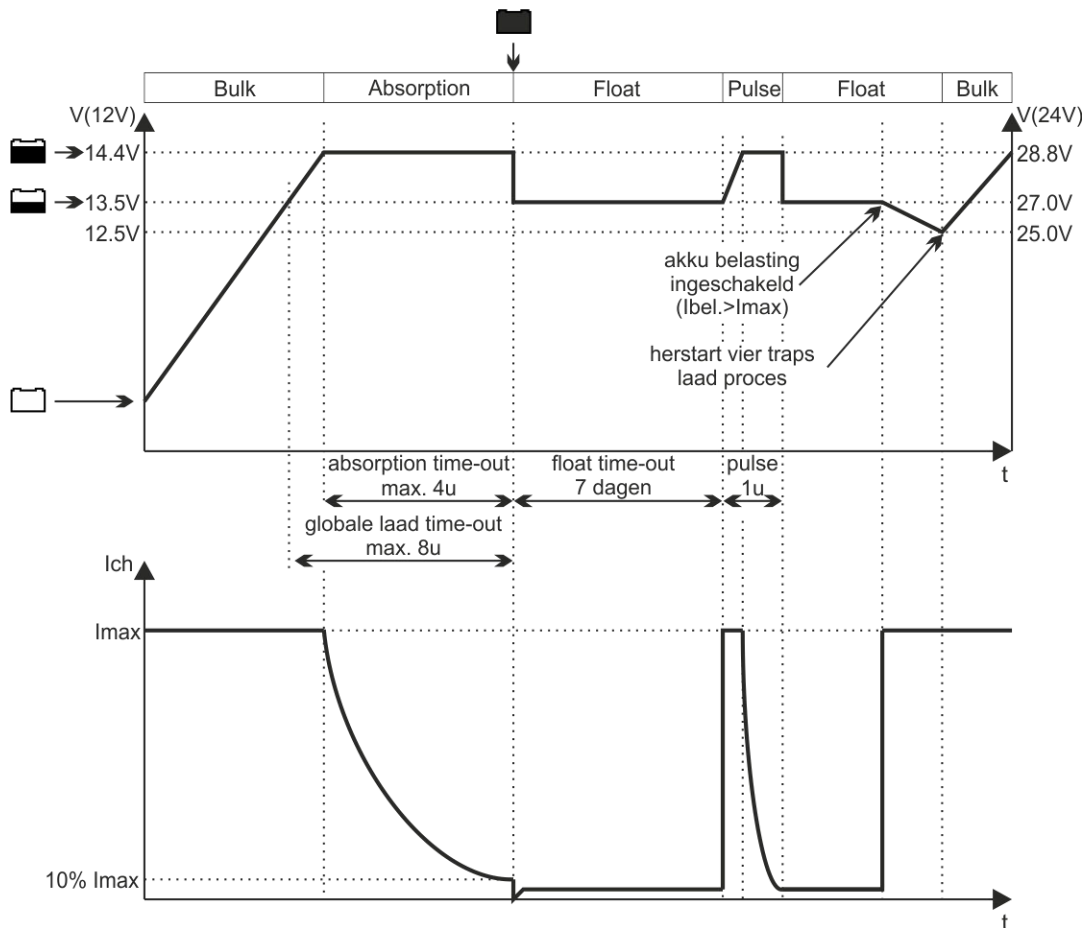
Voordat u de belasting aansluit op de uitgang van de Powersine Combi, dient u te allen tijden het maximale verbruik van deze belasting te controleren. Sluit geen belasting aan welke meer verbruikt dan het nominale vermogen van de omvormer. Tenzij deze belasting alleen wordt ingeschakeld wanneer de AC transfer switch gesloten is en het vermogen geleverd wordt door een AC bron met een hogere capaciteit dan de omvormer.

Sommige belastingen welke een motor of pomp bevatten, kunnen hoge inschakelstromen trekken bij het opstarten. Het is mogelijk dat deze inschakelstroom de overstroom beveiliging van de omvormer aanspreekt. In dit geval zal de uitgangsspanning kort afnemen om de uitgangsstroom van omvormer te limiteren. Wanneer de overstroom beveiliging continu wordt aangesproken, zal de Powersine Combi naar een error mode stappen en automatisch na ca. 20 seconden herstarten. In dit geval is het raadzaam de belasting af te koppelen, aangezien deze teveel verbruikt voor dit model Powersine Combi. De Powersine Combi moet manueel herstart worden (middels de hoofdschakelaar), wanneer deze vier keer achter elkaar in een error mode heeft gestaan. Houd rekening met het feit dat bij hogere omgevingstemperaturen, de overbelastbaarheid van de Powersine Combi afneemt.

5. CHARGER OPERATION

5.1 Laad programma's

Alle standaard te selecteren laadprogramma's (via DIP switches 5 en 6 of draaischakelaar), verrichten een viertraps LuoUoP laad proces bestaande uit een "Bulk", een "Absorption", een "Float" en een "Pulse" fase. De volgende afbeelding toont het viertraps laad proces :



In de Bulk fase levert de lader de volledige laadstroom en zal de accu tot gemiddeld zo'n 80% opladen wanneer de absorptie spanning is bereikt. Gedurende deze fase lichten Indicatoren 3d (zie hoofdstuk 4.2) en 3c op, afhankelijk van de voortgang. Wanneer de absorptie spanning is bereikt, zal de absorption fase aanvangen waarbij ook indicator 3b op zal lichten. Deze fase zal de overige 20% van de accu capaciteit aanvullen. De uitgangsspanning wordt hierbij constant gehouden en de laadstroom zal afnemen als gevolg het steeds voller worden van de accu. Wanneer de laadstroom is afgenomen tot onder een bepaalde waarde of wanneer de maximale absorption timer is verstreken, zal de float fase aanvangen. Indicator 3a zal oplichten en er klinkt een akoestische melding om aan te geven dat de accu vol is. In deze fase wordt de accu spanning constant gehouden op een waarde welke veilig is voor de accu. Dit zorgt ervoor dat de accu in optimale conditie blijft zolang deze staat aangesloten op de geactiveerde lader. Aangesloten accu belastingen worden direct door de lader gevoed tot aan de maximale uitgangsstroom van de lader. Wanneer

meer dan deze maximale stroom wordt gevraagd door de belasting, zal de accu dit moeten bijleveren wat resulteert in een dalende accu spanning. Vanaf een bepaalde accu spanning, zal de lader terugspringen naar de bulk fase en wederom een compleet viertraps laad proces uitvoeren wanneer de belastingsstroom weer gedaald is tot onder de maximale laadstroom van de lader.

Een vierde fase genaamd pulse activeert, zolang de lader opereert in de float fase, elke 7 dagen een kort laadproces van ca. 1 uur. Dit houdt de accu in optimale conditie en verlengt daarnaast de levensduur. De accu kan dus aangesloten blijven op de geactiveerde lader zonder enig risico op overlading.

Wanneer de accu temperatuur sensor geïnstalleerd is, zal de lader automatisch de laad spanningen compenseren tegen temperatuur (behalve wanneer het lithium laadprogramma is geselecteerd). Dit betekent dat de laad spanningen licht stijgen bij lagere temperaturen en dalen bij hogere temperaturen (-30mV/°C bij 12V modellen en -60mV/°C bij 24V modellen). Op deze manier wordt overlading voorkomen wat de levensduur van de accu verlengt.

Wanneer de standaard te selecteren laadprogramma's niet voldoen aan uw eisen, of wanneer afwijkende laadspanningen of stromen nodig zijn, kunt u met de optionele 'TBSLink to USB communication kit' uw eigen laadprogramma's creëren in TBS Dashboard. Tot 8 verschillende laad fases kunnen met elkaar verbonden worden en elke individuele laad fase kan zeer uitgebreid geconfigureerd worden. Vraagt u alstublieft uw TBS Electronics leverancier voor meer informatie over de 'TBSLink to USB communication kit'.

5.2 Het "Equalizen" van een open lood-zuur accu

Wanneer u een open lood-zuur accu gebruikt, zou het af en toe equalizen van deze accu aangeraden kunnen worden door de accu fabrikant. Dit zou ook kunnen gelden wanneer de open lood-zuur accu te diep ontladen is geweest, of regelmatig onvolledig geladen wordt. Gedurende een equalize laadstap, zal de accu geladen worden tot 15.5V (31V bij 24V) bij een gereduceerd uitgangsstroom nivo. Voordat een equalize laadstap gestart wordt, dienen de onderstaande waarschuwingen eerst gelezen te worden :



LET OP

Een Equalize laadstap mag alleen worden verricht op een open lood-zuur accu. Om deze reden laten TBS laders alleen een equalize laadstap toe wanneer de accu type DIP switches ingesteld staan op 'open lood-zuur' (Flooded). Andere accu types zoals GEL, AGM en lithium raken beschadigd wanneer deze worden ge-equalized.

Volg altijd de instructies van de accu fabrikant bij het equalizen van open lood-zuur accu's.

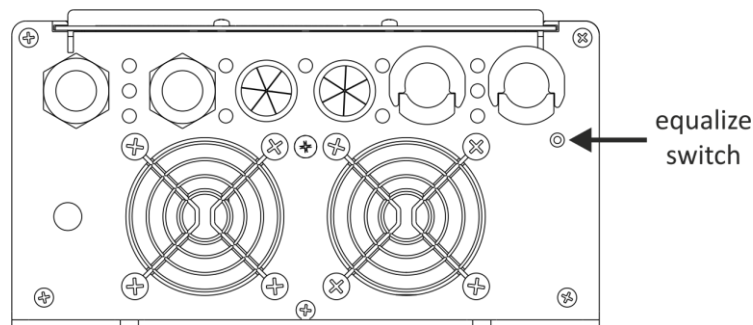
Tijdens een equalize laadstap, genereert de accu explosieve gassen. Volg alle accu veiligheidsvoorschriften welke zijn bijgesloten bij deze lader. Ventileer de omgeving rond de accu voldoende en vermijdt vonken en vlammen in de buurt van de accu.

Ontkoppel alle belastingen van de accu tijdens een equalize laadstap. De spanning tijdens het equalizen kan namelijk te hoog zijn voor sommige belastingen.

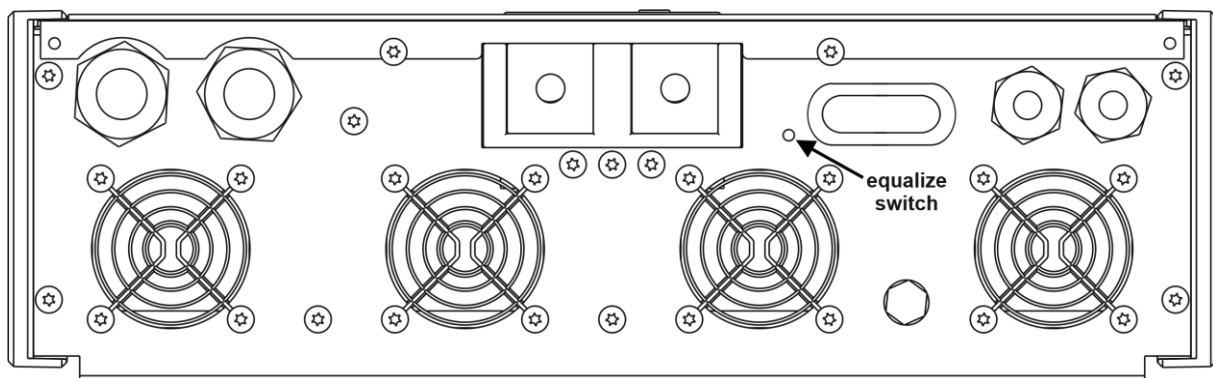
De Powersine Combi kan niet automatisch bepalen wanneer de equalize laadstap beëindigd moet worden. De gebruiker dient het soortelijk gewicht van het zuur gedurende dit proces in de gaten te houden, om het einde van de equalize laadstap te bepalen. De interne 2 uur timer van de Powersine Combi is alleen bedoeld als veiligheidsoptie, maar zou te lang kunnen duren om accu schade te voorkomen. Om deze reden moet het equalizeren altijd worden bijgestaan door de gebruiker.

Aangezien het equalizeren alleen is toegestaan op open lood-zuur accu's, staat de Powersine Combi deze laadstap alleen toe wanneer het 'open lood-zuur' (Flooded) laadprogramma geselecteerd is (zie hoofdstuk 3.3). Hiernaast dient de lader ook eerst een volledig laadproces te hebben afgerond en te opereren in de float fase. Wanneer aan deze twee condities is voldaan, kan de equalize laadstap worden geactiveerd door de verdiepte equalize drukknop aan de onderkant van de lader (zie onderstaande afbeeldingen) voor drie seconden ingedrukt te houden, totdat de laad status indicator gaat knipperen.

Modellen : PSC1600-1800 :



Modellen : PSC2000-3500 [-S]:



De lader staat een maximale equalize tijd toe van twee uur, voordat deze automatisch weer terug stapt naar de float fase. Als het soortelijk zuur gewicht nog niet het door de accu fabrikant aangegeven nivo heeft bereikt, kan er een nieuwe twee uur durende equalize laadstap worden gestart door de drukknop wederom voor 3 seconden in te drukken. Hierbij dient continu het soortelijk zuur gewicht in de gaten te worden gehouden. Wanneer dit gewicht correct is, kan de equalize laadstap manueel worden beëindigd door de drukknop kort in te drukken. De lader zal dan weer terug stappen naar de float fase.

6. STORINGSTABEL

Zie de tabel hieronder wanneer u problemen ondervindt met de Powersine Combi en/of de installatie.

Probleem	Mogelijke oorzaak	Oplossing
Powersine Combi werkt niet.	Hoofdschakelaar staat in Off (0) positie.	Zet de hoofdschakelaar in de 'I' of 'II' positie.
	Remote switch of Universal Remote Control hebben de Powersine Combi uitgeschakeld.	Activeer de Powersine Combi op afstand of controleer DIP switch 8 of 10 voor de correcte instelling.
	Slecht contact tussen de Powersine Combi DC kabels en de accu polen.	Zorg voor schone accu polen en kabel ogen. Draai alle DC verbindingsschroeven goed aan.
	Defecte DC zekering.	Controleer de accu zekering of de interne DC zekering van de Powersine Combi (alleen PSC1600-1800).
	Slechte accu conditie.	Vervang de accu.
De lader modus werkt niet (ook de AC transfer switch sluit niet).	De AC ingangsspanning of frequentie liggen buiten het bereik of zijn te onstabiel.	Zorg ervoor dat de AC ingangsspanning tussen de 185V – 270V ligt en de frequentie tussen de 45Hz – 65Hz (uitgaande van de fabrieksinstellingen).
	Lader deel en/of de AC transfer switch zijn gedeactiveerd tijdens het configureren met Dashboard.	Activeer het lader deel en de AC transfer switch weer met behulp van Dashboard.
De accu wordt niet geheel volgeladen	Incorrecte instelling van de absorptie spanning.	Controleer DIP switch 5 en 6 voor correcte instellingen. Of wijzig de absorptie spanning met behulp van Dashboard.
	Incorrecte laadstroom instelling.	Stel de laadstroom correct af met behulp van de Universal Remote Control of TBS Dashboard. Gemiddeld genomen dient de laadstroom ingesteld te worden op 10%-20% van de totale accu capaciteit.

	Te veel spanningsverliezen in de accu kabels en/of accu aansluitingen.	Zorg ervoor dat de accu kabels voldoende capaciteit (kwadratuur) hebben. Controleer of alle accu aansluitingen solide en corrosie vrij zijn.
	Belasting op de accu verbruikt teveel stroom gedurende het laden.	Schakel de belasting uit, of ontkoppel deze van de accu.
Laadstroom is te laag.	Hoge omgevingstemperatuur	Probeer de temperatuur rond de Powersine Combi te verlagen.
	Lader opereert in de absorptie laadfase.	Doe niets. De accu is bijna volledig opgeladen en verbruikt daardoor minder stroom van de lader.
Mode indicator LED's 'inverter on', 'charger on' en 'AC in' geven één flits per keer in rood (accu error).	Accu spanning is te laag (< 8V@12V of <16V@24V).	Accu is defect, vervang deze. Of de accu is zeer diep ontladen. Laat deze dan langzaam herstellen tot boven de 8.5V (17V@24V) zodat de AC transfer switch en lader weer op kunnen starten.
	Accu spanning is te hoog (> 16.5V@12V of >33V@24V).	Controleer of een externe bron op het DC systeem de accu spanning teveel laat stijgen.
	Te hoge rimpelspanning op de DC ingang (manuele herstart noodzakelijk).	Controleer de accu aansluitingen. Reduceer de accu kabel lengte. Vergroot de accu capaciteit of kabel diameter. Zorg ervoor dat er geen andere bronnen een hoge rimpelspanning produceren op het DC systeem.
Alleen mode indicator LED 'inverter on' geeft één flits per keer in rood.	Accu spanning is te laag (<10V@12V of <20V@24V).	Bied een AC signaal aan op de AC ingang en start een laadproces. Wanneer een andere uitschakelspanning gewenst is in 'Battery protect On' mode, kan Dashboard gebruikt worden.

Alleen mode indicator LED 'inverter on' geeft twee flitsen per keer in rood.	De omvormer wordt overbelast.	Zorg ervoor dat het totale vermogen van de belasting lager is dan het nominale uitgangsvermogen van de Powersine Combi.
	De belasting aan de AC uitgang veroorzaakt een kortsluiting.	Zorg ervoor dat de belasting niet defect is. Controleer of de AC bedrading en aansluitingen geen kortsluiting vormen.
	De belasting(en) aan de AC uitgang veroorzaakt een te grote opstart stroom.	Probeer de belastingen één voor één in te schakelen i.p.v. tegelijk. In alle andere gevallen is deze belasting te zwaar voor de Powersine Combi en is een groter Powersine Combi model noodzakelijk.
Mode indicator LED's 'inverter on' en 'charger on' geven drie flitsen per keer in rood.	De Powersine Combi is uitgeschakeld vanwege een te hoge temperatuur.	Reduceer de AC belasting in omvormer mode. Probeer de omgevingstemperatuur rondom de Powersine Combi te reduceren. Zorg voor een vrije ruimte van minstens 10cm rondom de unit. Blokkeer in geen geval de luchtstroom rondom de Powersine Combi en plaats geen items op of over de unit. Plaats de unit niet in direct zonlicht of in de buurt van warmte producerende apparatuur.
Mode indicator LED 'AC in' geeft één flits per keer in rood.	AC ingangssignaal is present, maar valt buiten de vereiste spanning en frequentie grenzen.	Zorg ervoor dat het AC ingangssignaal binnen de 185V- 270V en 45Hz-65Hz valt.
Alle mode indicator LED's 'inverter on', 'charger on' en 'AC in' geven twee flitsen per seconde in rood. (manuele herstart noodzakelijk)	Maximale AC transfer switch stroom is overschreden.	Reduceer de belasting aan de AC uitgang.
Mode indicator LED 'inverter on' of 'charger on' of 'AC in' branden continu in rood.	De omvormer mode, de lader mode of de AC transfer switch zijn uitgeschakeld met behulp van TBS Dashboard.	Wanneer gewenst, kunnen deze met behulp van TBS Dashboard weer ingeschakeld worden.

	Wanneer alleen 'inverter on' continu rood brandt.	De Powersine Combi hoofdschakelaar staat in 'charger only' mode, wat betekent dat de omvormer mode is uitgeschakeld.
Nivo indicator brandt rood (omvormer mode).	De omvormer is overbelast en zal na een bepaalde tijd automatisch uitschakelen (deze tijd is afhankelijk van de mate van overbelasting).	Reduceer de belasting aan de AC uitgang.
Alle mode indicator LED's 'inverter on', 'charger on' en 'AC in' geven vier flitsen per keer in rood.	De Powersine Combi is verkeerd aangesloten of defect.	Een externe AC bron is aangesloten op de AC uitgang in plaats van de AC ingang. Of retourneer de Powersine Combi voor service.
Mode indicator LED 'charger on' geeft vijf flitsen per keer in rood.	Laad programma fout.	De gebruiker heeft een lege of foutief laad programma geselecteerd ('custom' laad programma is af fabriek leeg). Een door de gebruiker in TBS Dashboard gemaakt laad programma bevat een fout.
Alle mode indicator LEDs 'inverter on', 'charger on' en 'AC in' flitsen achterelkaar in een lopende cyclus.	Sync poort instellingsfout of parallelsysteem verwacht een gebruikersactie.	Wanneer het een enkele inverter/charger installatie betreft, controleer of de Sync Poort schakelaar 'ROLE' op de positie 'MASTER' staat. Controleer of deze unit niet eerder onderdeel was van een parallel systeem. In dit geval moet deze gereset worden naar enkele unit operatie (zie parallel kit manual). Wanneer het wel een parallel systeem betreft, controleer of alle units ingeschakeld zijn en de sync kabel correct is aangesloten.

Wanneer geen van de bovenstaande oplossingen werken, kunt het beste contact opnemen met een lokale TBS distributeur voor verdere assistentie en/of reparatie van uw Powersine Combi. Haal de Powersine Combi nooit zelf uit elkaar, aangezien er gevaarlijke spanningen aanwezig kunnen zijn aan de binnenzijde. Tevens zal dit direct uw recht op garantie ongeldig verklaren.

7. TECHNISCHE SPECIFICATIES

Parameter		PSC1600-12-60	PSC1800-24-35
Omvormer deel			
Uitgangsvermogen ¹⁾	Pnom	1300W	1400W
	P10m	1600W	1800W
	Ppiek	2500W	3000W
Uitgangsspanning / frequentie		230Vac ± 2% / 50Hz ± 0.05%	
Uitgangsspanningsvorm		Pure sinusvorm (THD < 5% ¹⁾ @ Pnom)	
DC ingangsspanning (± 3% tol.)	Nominaal	12V	24V
	Bereik	10.5 ²⁾ – 16Vdc	21 ²⁾ – 32Vdc
Maximale rendement		92%	94%
Ruststroom verbruik ³⁾ [ASB]		< 10W [2.0W]	< 12W [2.0W]
Lader deel			
AC ingangsspanning		185 – 270Vac / 45 – 65Hz / PF > 0.95	
Maximale continu laadstroom ⁴⁾		60A	35A
Standaard laadspanning (bulk / float @ 25°C)		14.3V / 13.3V	28.6V / 26.6V
Laad algoritme / programma		IUoUoP, intelligent 4 stage, temp. comp.	
AC Transfer switch			
Maximale continu stroom		16Arms	
Omschakeltijd (gemiddeld)		0ms (inv. → ACin) / < 5ms (ACin → inv.)	
Algemeen			
Geschikt voor TBSLink		Ja	
Beveiligingen		hoge/lage accuspanning, hoge temperatuur, overbelasting, kortsluiting, hoge rimpelspanning en lage AC ingangsspanning	
DC (accu) aansluitingen		Twee kabels, lengte 1.5 meters, 35mm ²	
AC aansluitingen		Schroef klemmen	
Afmetingen behuizing		351 x 210 x 114mm	
Gewicht		10.7kg	
Beschermingsklasse / Aanbev. Omgevings-temperatuur / Opslag temperatuur		IP21 / -20°C .. +50°C / -40°C .. +80°C	
Normen		CE gemarkeerd volgens EMC richtlijn 2014/30/EU en Laagspanningsrichtlijn 2014/35/EU (EN60335-1 en EN60335-2-29). RoHS richtlijn 2011/65/EU	

N.B. : bovenstaande gegevens kunnen zonder aankondiging van de fabrikant veranderen

- 1) Gemeten met Ohmse belasting. Vermogensopgaves hebben een tolerantie van ± 10% en nemen af bij toenemende temperatuur (ca. 1.2%/°C vanaf 25°C).
- 2) Het onder voltage is dynamisch. Deze limiet daalt bij toenemende belasting om spanningsverliezen over kabels en/of aansluitingen te compenseren.
- 3) Gemeten bij nominale ingangsspanning en 25°C omgevingstemperatuur.
- 4) Bij hoge omgevingstemperaturen zal de maximum laadstroom automatisch gereduceerd worden.

Parameter	PSC2000-12-80 [-S]	PSC2500-24-50 [-S]
Omvormer deel		
Uitgangsvermogen ¹⁾	Pnom	1800W
	P10m	2100W
	Ppiek	4000W
Uitgangsspanning / frequentie	230Vac ± 2% / 50Hz ± 0.05%	
Uitgangsspanningsvorm	Pure sinusvorm (THD < 5% ¹⁾ @ Pnom)	
DC ingangsspanning (± 3% tol.)	Nominaal	12V
	Bereik	10.5 ²⁾ – 16Vdc
Maximale rendement		92%
Ruststroom verbruik ³⁾ [ASB]		< 20W [3.5W]
Lader deel		
AC ingangsspanning	185 – 270Vac / 45 – 65Hz / PF > 0.95	
Maximale continu laadstroom ⁴⁾ (Sec. uitgang)	80A (4A)	50A (4A)
Standaard laadspanning (bulk / float @ 25°C)	14.3V / 13.3V	28.6V / 26.6V
Laad algoritme / programma	IUoUoP, intelligent 4 stage, temp. comp.	
AC Transfer switch		
Maximale continu stroom	30Arms	
Omschakeltijd (gemiddeld)	0ms (inv. → ACin) / < 5ms (ACin → inv.)	
Algemeen		
Geschikt voor TBSLink	Ja	
Beveiligingen	hoge/lage accuspanning, hoge temperatuur, overbelasting, kortsluiting, hoge rimpelspanning en lage AC ingangsspanning	
DC (accu) aansluitingen	M10 bout verbindingen	
AC aansluitingen	Schroef klemmen	
Afmetingen behuizing	370 x 431 x 132mm	
Gewicht	18.5kg	
Beschermingsklasse / Aanbev. Omgevings-temperatuur / Opslag temperatuur	IP21 / -20°C .. +50°C / -40°C .. +80°C	
Normen	CE gemarkeerd volgens EMC richtlijn 2014/30/EU en Laagspanningsrichtlijn 2014/35/EU (EN60335-1 en EN60335-2-29). RoHS richtlijn 2011/65/EU, UNECE-R10 voor 12V model	

N.B. : bovenstaande gegevens kunnen zonder aankondiging van de fabrikant veranderen

- 1) Gemeten met Ohmse belasting. Vermogensopgaves hebben een tolerantie van ± 10% en nemen af bij toenemende temperatuur (ca. 1.2%/°C vanaf 25°C).
- 2) Het onder voltage is dynamisch. Deze limiet daalt bij toenemende belasting om spanningsverliezen over kabels en/of aansluitingen te compenseren.
- 3) Gemeten bij nominale ingangsspanning en 25°C omgevingstemperatuur.
- 4) Bij hoge omgevingstemperaturen zal de maximum laadstroom automatisch gereduceerd worden.

Parameter	PSC3000-12-120 [-S]	PSC3500-24-70 [-S]	
Omvormer deel			
Uitgangsvermogen ¹⁾	Pnom	2600W	2800W
	P10m	3200W	3800W
	Ppiek	5000W	6500W
Uitgangsspanning / frequentie	230Vac ± 2% / 50Hz ± 0.05%		
Uitgangsspanningsvorm	True sinewave (THD < 5% ¹⁾ @ Pnom)		
DC ingangsspanning	Nom.	12V	24V
	Bereik	10.0 ²⁾ – 16.5Vdc	20.0 ²⁾ – 33.0Vdc
Maximale rendement	92%	93%	
Nullast vermogen ³⁾ [ASB]		< 20W	< 20W
		[3.5W]	[4.0W]
Lader deel			
AC ingangsspanning	185 – 270Vac / 45 – 65Hz / PF > 0.95		
Maximale laadstroom ⁴⁾ (2 ^{de} uitg.)	120A (4A)	70A (4A)	
Standaard laadspanning (bulk / float @ 25°C)	14.3V / 13.3V	28.6V / 26.6V	
Laad algoritme / programma	IUoUoP, intelligent 4 stage, temp. comp.		
AC Transfer switch			
Maximale continu stroom	30Arms		
Omschakeltijd (gemiddeld)	0ms (inv. → mains) / < 5ms (mains → inv.)		
Algemeen			
Geschikt voor TBSLink	Ja		
Beveiligingen	hoge/lage accuspanning, hoge temperatuur, overbelasting, kortsluiting, hoge rimpelspanning en lage AC ingangsspanning		
DC (accu) aansluitingen	M10 bout verbindingen		
AC aansluitingen	Schroef klemmen		
Afmetingen behuizing	370 x 431 x 132mm		
Gewicht	19.0kg		
Beschermingsklasse / Omgevings Temp. / Opslag temp.	IP21 / -20°C .. +50°C / -40°C .. +80°C		
Normen	CE gemarkeerd volgens EMC richtlijn 2014/30/EU en Laagspanningsrichtlijn 2014/35/EU (EN60335-1 en EN60335-2-29). RoHS richtlijn 2011/65/EU, UNECE-R10 voor 12V model		

N.B. : bovenstaande gegevens kunnen zonder aankondiging van de fabrikant veranderen

- 1) Gemeten met Ohmse belasting. Vermogensopgaves hebben een tolerantie van ± 10% en nemen af bij toenemende temperatuur (ca. 1.2%/°C vanaf 25°C).
- 2) Het onder voltage is dynamisch. Deze limiet daalt bij toenemende belasting om spanningsverliezen over kabels en/of aansluitingen te compenseren.
- 3) Gemeten bij nominale ingangsspanning en 25°C omgevingstemperatuur.
- 4) Bij hoge omgevingstemperaturen zal de maximum laadstroom automatisch gereduceerd worden.

8. GARANTIE / AANSPRAKELIJKHEID FABRIKANT

TBS Electronics (TBS) garandeert dit product vrij van defecten veroorzaakt in de assemblage of door de gebruikte materialen, tot 24 maanden na de aankoop datum. Gedurende deze periode neemt TBS de kosten van eventuele reparatie voor zijn rekening. TBS is niet verantwoordelijk voor de transportkosten van dit product.

Deze garantie vervalt wanneer dit product fysiek beschadigd is zowel extern als intern, als er iets aan het oorspronkelijk apparaat veranderd is of als de behuizing door een niet gemachtigd persoon is geopend. Deze garantie dekt geen kosten veroorzaakt door onjuist gebruik¹⁾, pogingen om de omvormer zwaar over te belasten of door gebruik in niet geschikte omgevingen.

Deze garantie is niet geldig wanneer dit product wordt misbruikt, verwaarloosd, onjuist geïnstalleerd of gerepareerd door iemand anders dan door TBS is aangewezen. De fabrikant is niet verantwoordelijk voor enig verlies, schade of kosten voortvloeiende uit onjuist gebruik of installatie van dit product, gebruik in niet geschikte omgevingen en product storing.

Omdat de fabrikant geen controle kan uitvoeren op het gebruik en de installatie (volgens de lokaal geldende voorschriften) van de TBS producten, is de eindgebruiker ten alle tijden aansprakelijk voor het gebruik van de TBS producten. TBS producten zijn niet ontworpen voor toepassing als kritisch component in (medische-) apparatuur of systemen die een potentieel gevaar kunnen vormen voor mens, natuur en milieu. De eindgebruiker is ten alle tijden verantwoordelijk voor de toepassing van TBS produkten in deze applicaties. De fabrikant accepteert geen verantwoordelijkheid voor mogelijke inbreuk op patenten of andere rechten van derden, verbonden aan het gebruik van TBS producten. De fabrikant behoudt het recht om product specificaties te wijzigen zonder voorafgaande aankondiging.

¹⁾ Enkele voorbeelden van onjuist gebruik zijn :

- Het aanbieden van een te hoge ingangsspanning (DC of AC)
- Het verkeerd om aansluiten van de accu kabels
- Het aansluiten van niet geschikte accu's
- Mechanisch te zwaar belaste behuizing en/of interne onderdelen, vanwege misbruik of incorrecte verpakking
- Kontakt met vloeistoffen of oxidatie door condensatie

9. CONFORMITEITSVERKLARING

Zie pagina 30.

INHALTSÜBERSICHT

1. EINLEITUNG	58
2. BESCHREIBUNG	59
3. KONFIGURATION DER POWERSINE COMBI.....	60
3.1 Allgemein.....	60
3.2 Hersteller eingestellte Standard-Parameter-Einstellungen	60
3.3 Überblick über die DIP-Schalter-Einstellungen	63
3.3.1 Übersicht der Drehschaltereinstellungen (nur S-Version)	67
3.4 Sync-Port-Setup (nur S-Version)	67
4. BETRIEBSANLEITUNG.....	69
4.1 Bedienung der Powersine Combi	69
4.2 Powersine Combi LED-Anzeigen und Error Modes	69
4.2.1 Fehler – Anzeige	71
4.3 Programmierbarer Alarm-Relais	71
4.4 Trigger-Eingang	72
4.5 Lastanforderungen im Wechselrichter-Modus.....	72
5. BETRIEB DES LADEGERÄTS	73
5.1 Ladeprogramme	73
5.2 “Equalize” Modus für nasse Batterien	74
6. RICHTLINIEN ZUR FEHLERSUCHE	77
7. TECHNISCHE SPEZIFIKATIONEN	82
8. GARANTIE / HAFTUNGSBESCHRÄNKUNG	85
9. KONFORMITÄTSERKLÄRUNG	85

1. EINLEITUNG

Vielen Dank, dass Sie eine TBS Electronics (TBS) Powersine Combi Wechselrichter-Ladegerät-Kombination erworben haben. Bitte lesen Sie diese Bedienerhandbuch, um weitere Informationen zur richtigen und sicheren Verwendung des Produkts zu erhalten. Bewahren Sie diese Bedienerhandbuch und alle zugehörigen Dokumentationen für zukünftige Referenzen auf. Um die aktuellste Revision zu erhalten, überprüfen Sie bitte den Abschnitt Downloads auf unserer Internetseite.

Ziel der Bedienerhandbuch ist es, Erklärungen und Abläufe zum Betrieb und zur Konfiguration der Powersine Combi zur Verfügung zu stellen. Zur Installation der Powersine Combi ist ein separater Montageanleitung beigefügt. Der Montageanleitung wendet sich an Installateure, die über Wissen und Erfahrungen bei der Installation von Elektrogeräten, Wissen über anwendbare Installationscodes, und über ein Bewusstsein hinsichtlich der Gefahren, die mit der Durchführung von Elektroarbeiten verbunden sind, verfügen, ebenso wie über Kenntnisse zur Einschränkung dieser Gefahren.



WARNUNG

Bevor Sie mit dieser Bedienerhandbuch fortfahren, stellen Sie bitte sicher, dass Sie den beigefügten Flyer mit Sicherheitshinweisen und den Montageanleitung sorgfältig gelesen haben!

2. BESCHREIBUNG

Die Powersine Combi ist eine Kombination aus einem Gleichstrom-zu-Wechselstrom-Sinuswellen-Wechselrichter, einem fortgeschrittenen, mehrstufigen Batterie-Ladegerät und einem Hochgeschwindigkeits-AC-Umschalter. Diese Geräte sind in einem kompakten und doch installationsfreundlichen Gehäuse eingebaut. Neben diesen drei Hauptfunktionen werden weitere, einzigartige Funktionen angeboten. Einige dieser Funktionen profitieren von der Interaktion der drei Hauptfunktionen.

Die Hauptaufgabe der Powersine Combi besteht darin, als unterbrechungsfreie Wechselstrom-Stromversorgung (UPS) zu fungieren. Im Falle eines Netz-/Generatorsausfalls oder einer Trennung stoppt die Powersine Combi sofort das Laden der Batterie, gibt den AC-Umschalter frei und aktiviert den Wechselrichter, der die Versorgung der verbundenen Lasten übernimmt. Dies geschieht so schnell, dass sogar sehr kritische Verbraucher wie Computer ohne Probleme weiterarbeiten. Wenn das Netz oder der Generator wieder angeschlossen ist und die Spannung und Frequenz sich innerhalb angemessener Grenzen bewegen, aktiviert die Powersine Combi den AC-Umschalter erneut und deaktiviert den Wechselrichter. Die angeschlossenen Verbraucher werden jetzt wieder ohne Unterbrechung vom Netz/Generator versorgt.

Zusätzlich bietet die Powersine Combi Funktionen wie:

- **“AC Input Power Boost”**, die zeitweise schwache Wechselstrom-Eingangsquellen unterstützt, wenn der angeschlossene Verbraucher mehr Leistung benötigt, als vom Netz oder vom Generator verfügbar ist.
- **“AC Input Current Limit”**, die den maximal aus der Wechselstrom-Eingangsquelle verbrauchten Strom der Powersine Combi begrenzt. Diese Begrenzung kann durch den Nutzer eingestellt werden.
- **Leistungsfaktor-kompensierter Wechselstrom-Eingang**, der die Energieeffizienz optimiert und sicherstellt, dass der maximale Ladestrom von der Wechselstromquelle verfügbar ist.
- **Intelligente 4-Stufen-Ladeprogramme**, durch den Nutzer programmierbar, um zu allen Batterietypen zu passen.
- **Vollständig programmierbare Wechsler-, Umschalter- und Batterie-Ladegerät-Parameter**, die die TBS Dashboard für Windows-Software verwenden.
- **Programmierbares Alarm-Relais**, zur optimalen Steuerung externer Geräte, z.B. Starten des Generators oder selektive Lasttrennung.
- **Frei zuweisbarer Trigger-Eingang**, der es dem Nutzer ermöglicht, die Powersine Combi bei externen Vorfällen zu steuern.
- **Temperaturgesteuerte Lüfter**, die einen leisen Betrieb garantieren, wenn keine vollen Lasten anliegen.
- **Temperaturkompensierte Batterieladung**, die den standardmäßig gelieferten Batterie-Temperatursensor für eine maximale Batterie-Lebensdauer nutzt.
- **Parallel betrieb (nur S-Versionen)**, bis zu 3 Einheiten können parallel geschaltet werden, um noch höhere Ausgangsleistung und Ladestromstärke zu erreichen

3. KONFIGURATION DER POWERSINE COMBI

3.1 Allgemein

Es gibt zwei Möglichkeiten, die Powersine Combi zu konfigurieren. Durch Verwendung der DIP-Schalter, die sich in der Anschlusskammer befinden, kann eine kleine Auswahl von Einstellungen vorgenommen werden. In den meisten Fällen ist das völlig ausreichend, um die Einheit schnell für die typischen Anwendungen einzustellen. Eine weitere Möglichkeit ist die Einstellung der Powersine Combi mit dem TBS Dashboard für Windows-Software. Diese Software ist Teil des optionalen TBSLink-zu-USB-Kommunikationspakets (Art.-Nr. 5092120), das auch eine isolierter Schnittstellen-Box, die für den Anschluss der Powersine Combi an einen PC erforderlich ist, enthält. Wenn man TBS Dashboard verwendet, können alle verfügbaren Parameter bearbeitet werden und es ist auch möglich, Ihre eigenen Batterie-Ladeprogramme zu erstellen oder zu bearbeiten.

VORSICHT

Wenn Sie die Powersine Combi mit TBS Dashboard konfigurieren, stellen Sie sicher, dass der DIP-Schalter 1 auf AN gestellt ist (Extern). Wenn er auf AN gestellt ist, werden alle verbleibenden DIP-Schalter-Einstellungen (2 bis 7) ignoriert, und die Powersine Combi lädt immer die Parametereinstellungen, die in TBS Dashboard konfiguriert wurden. Wenn der DIP-Schalter 1 wieder auf AUS (Lokal) gestellt ist, überlagern die DIP-Schalter 2 bis 7 die korrespondierenden Parameter-Einstellungen, die zuvor in TBS Dashboard vorgenommen wurden. Die Parameter, die nicht durch DIP-Schalter konfiguriert werden können, werden auf fabrikseitig eingestellte Standard-Einstellungen zurückgesetzt.

Diese Bedienerhandbuch beschreibt nur die DIP-Schalter-Einstellungen und alle relevanten, fabrikseitig eingestellten Standard-Parameter. Die Konfiguration über das TBS Dashboard wird in der TBS Dashboard-Bedienerhandbuch, die mit dem TBSLink-zu-USB-Kommunikationspaket geliefert wird, erklärt.

3.2 Hersteller eingestellte Standard-Parameter-Einstellungen

Die Tabelle unten bietet einen Überblick über die wichtigsten, Hersteller eingestellten Parameter-Einstellungen, wie sie in der Powersine Combi gespeichert sind. Diese Einstellungen basieren auf einer Basis-Anwendung. TBS kann nicht garantieren, dass diese Einstellungen für die spezielle Anwendung korrekt sind. Bitte überprüfen Sie alle Parameter sorgfältig, besonders die Batterie-Ladespannungen.

Parameter	Wechselrichter-Ausgangsfrequenz
Wert	50Hz
Beschreibung	Ausgangsfrequenz im Wechselrichter-Modus. Kann auf 50Hz oder 60Hz eingestellt werden
Konfig. durch	DIP-Schalter 2 und Dashboard

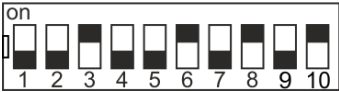





Parameter	Wechselrichter-Spannung
Wert	230V
Beschreibung	Ausgangsspannung im Wechselrichter-Modus. Kann auf 200V bis 240V eingestellt werden
Konfig. durch	Dashboard
Parameter	Schutz bei niedriger Batteriespannung
Wert	Ein
Beschreibung	Aktiviert oder deaktiviert den Schutz bei niedriger Batteriespannung mit einem durch den Nutzer programmierbaren Shutdown, Neustart und Verzögerungswerten (Standard respektive 10V, 12V und 5 Sekunden). Das Abschalten des Schutzes bei niedriger Batteriespannung resultiert im sofortigen Herunterfahren des Wechselrichters, wenn die Batteriespannung niedriger als 8.0V ist. (Spannungswerte 'x2' bei 24V).
Konfig. durch	DIP-Schalter 3 und Dashboard
Parameter	Automatischer Standby (ASB)
Wert	Aus
Beschreibung	Aktiviert oder deaktiviert ASB. Im aktivierten Zustand springt der Wechselrichter automatisch in den ASB-Modus, wenn der Anschlusslast-Stromverbrauch unter das vom Nutzer programmierte Niveau fällt. Im ASB-Modus liefert der Wechselrichter eine Sinus-Ausgabe, um zu entdecken, wann der angeschlossene Verbraucher wieder mehr Strom benötigt. Im ASB-Modus verbraucht die Powersine Combi selbst deutlich weniger Batteriestrom. Sobald der Strombedarf wieder ansteigt, springt der Wechselrichter automatisch in den kontinuierlichen Modus und liefert ununterbrochen Strom an den Verbraucher. Im deaktivierten Zustand läuft der Wechselrichter immer im kontinuierlichen Modus, der für kritische Verbraucher wie Computer, Uhren und AV-Ausrüstung besser ist.
Konfig. durch	DIP-Schalter 4 und Dashboard
Parameter	AC-Eingangsspannungsbereich (Umschalter)
Wert	180V – 270V
Beschreibung	Der Eingangsspannungsbereich, der von der Powersine Combi zur Versorgung des angeschlossenen Verbrauchers akzeptiert wird. Es können zwei Wechselstrom-Unterspannungswerte eingestellt werden. Ein absolutes Unterspannungsniveau, bei dessen Überschreitung (Hersteller Einstellung = 150V) direkt der AC-Umschalter freigegeben wird, und ein verzögertes Unterspannungsniveau, das den AC-Umschalter nach einer bestimmten Verzögerung (Hersteller eingestellt sind 180V und 5 Sekunden) freigibt. Das Ladegerät stoppt den Ladevorgang, wenn die Wechselstrom-Eingabespannung unter 185V fällt und startet erneut beim Überschreiten von 190V.
Konfig. durch	Dashboard
Parameter	AC-Eingangs-Frequenzbereich
Wert	45Hz – 65Hz
Beschreibung	Der Eingangsfrequenz-Bereich, die von der Powersine Combi akzeptiert

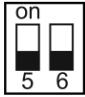



	wird. Das kann auf den vollen Bereich (45Hz – 65Hz) oder einen kleineren Bereich mit einer Untergrenze bei 45 Hz und einer Obergrenze bei 65 Hz eingestellt werden.
Konfig. durch	Dashboard
Parameter	AC-Eingangsstrom-Begrenzung
Wert	16.0A oder 30.0A (je nach Modell)
Beschreibung	Repräsentiert den maximalen Dauerstrom, den die Powersine Combi aus der Wechselstrom-Eingangsquelle zieht. Um das sicherzustellen, reduziert die Powersine Combi entweder den Ladestrom automatisch, oder (wenn eingestellt) aktiviert die “AC Input Power Boost”, die den zusätzlichen Energiebedarf durch Parallelbetrieb mit der AC-Eingangsquelle liefert. Wenn der angeschlossene Verbraucher immer noch zu viel Strom verbraucht, kann der Installateur entweder den AC-Umschalter deaktivieren oder geschlossen halten und erlauben, dass der AC-Eingangsstrom-Begrenzungswert überschritten wird. Dieser Wert kann über Dashboard oder optional über die Universalfernbedienung auf 1.0A bis 16.0A oder 2.0A bis 30.0A (je nach Modell) eingestellt werden.
Konfig. durch	Dashboard und Universalfernbedienung (URC)
Parameter	“AC Input Power Boost”
Wert	Aus
Beschreibung	Der “AC Input Power Boost” unterstützt zeitweilig schwache Wechselstrom-Eingangsquellen, wenn der angeschlossene Verbraucher mehr Strom benötigt, als aus dem Netz oder vom Generator zur Verfügung stehen. Das wird erreicht, indem der Wechselrichter parallel mit der Wechselstrom-Eingangsquelle läuft. Der Wechselrichter kann Strom bis zur Nenn-Ausgangsleistung hinzufügen, vorausgesetzt, die Batterie ist in gutem Zustand. Dieser Parameter kann auf An oder Aus gestellt werden.
Konfig. durch	DIP-Schalter 7 und Dashboard
Parameter	Masseschalter
Wert	Aktiviert
Beschreibung	Der Masseschalter ist ein internes Relais, das automatisch die AC-Ausgang Neutral (N) mit dem Schutzleiter (PE = Chassis) im <u>Wechselrichter-Modus</u> verbindet. Das aktiviert die Verwendung eines FI-Schutzschalters am AC-Ausgang der Powersine Combi. Wenn ein ungeerdeter (schwebender) Ausgang erforderlich ist, kann dieser Parameter deaktiviert werden.
Konfig. durch	DIP-Schalter 8 (nur bei Modellen PSC2000-3500 [-S]) und Dashboard
Parameter	AC-Eingangs-Fail-Empfindlichkeit
Wert	Normal
Beschreibung	Dieser Parameter kann auf Sehr niedrig, Niedrig, Normal, Hoch und Sehr hoch eingestellt werden. Der Wert dieses Parameters entscheidet, wie schnell die Powersine Combi ein Fehlsignal am AC-Eingang entdeckt. Die niedrigeren Einstellungen resultieren in einer langsameren AC-Eingangsquelle → Wechselrichter-Umschaltzeit, während die höheren Einstellungen in den schnellsten Umschaltzeiten resultieren. Die


	Einstellungen Niedrig und Sehr niedrig können verwendet werden, wenn das AC-Eingangssignal gestört oder instabil ist. Das könnte der Fall sein, wenn ein kleiner Generator verwendet wird. Die Einstellungen Hoch und Sehr hoch können verwendet werden, wenn die Powersine Combi an ein Festnetz oder einen qualitativ hochwertigen Generator angeschlossen wird. Die Hersteller Einstellung Normal ist ein guter Kompromiss, der in einer schnellen AC-Eingangsquelle → Wechselrichter-Umschaltzeit von weniger als 5ms resultiert, während sie gleichzeitig relativ immun gegen gestörte AC-Eingangssignale ist.
Konfig. durch	Dashboard
Parameter	Batterietyp / Ladeprogramm
Wert	AGM
Beschreibung	Das Standard-Ladeprogramm AGM ist mit typischen Batterien vom Typ AGM kompatibel, es kann aber auch für andere Arten von Blei-Säure-Batterien verwendet werden. <u>Bitte stellen Sie sicher, dass immer geprüft wird, ob die Ladeprogramm-Einstellungen der Powersine Combi mit der verwendeten Batterie kompatibel sind!</u> Die AGM-Ladeprogramm-Absorptionsspannung beträgt 14.3V (28.6V@24V), die "Float" Spannung beträgt 13.3V (26.6V@24V). Andere auswählbare Ladeprogramme sind "Flooded", "GEL", "Lead Calcium", "Lithium" und "Custom". Weitere Informationen zu den Ladeprogrammen finden Sie in den Kapiteln 3.3 und 5.1.
Konfig. durch	DIP-Schalter 5 und 6 (S-Version: Drehschalter Pos.3) und Dashboard
Parameter	Ladestrombegrenzung
Wert	100%
Beschreibung	Dieser Parameter stellt den maximalen Ladestrom in Prozent dar. Dieser Wert kann über das Dashboard oder die optionale Universalfernbedienung von 10% bis 100% eingestellt werden. Sie können diesen Parameter auf einen niedrigeren Wert einstellen, wenn die angeschlossene Batterie zu klein ist und den maximalen Ladestrom nicht verarbeiten kann, oder wenn Sie zeitweilig den Ladestrom-Anteil gegenüber der Gesamtmenge des Stromflusses durch die AC-Eingang der Powersine Combi reduzieren möchten.
Konfig. durch	Dashboard, Universalfernbedienung (URC) und DIP-Schalter 5 und 6 (nur S-Version)

3.3 Überblick über die DIP-Schalter-Einstellungen

Im Schritt 3 des Montageanleitungen können Sie die Hersteller Einstellungen der DIP-Schalter verändern, um die Funktionalität der Powersine Combi in einigen Punkten zu verändern. Zusätzliche Informationen über die Einstellungen erhalten Sie im vorherigen Kapitel (3.2). Die folgenden Einstellungen können vorgenommen werden :

	<p align="center">Beschreibung der Einstellungen</p>
 <p>Hersteller Einstel. = AUS</p>	<p><u>Lokale / Externe Programmierung</u> AN (Extern): DIP-Schalter 2 bis 7 oder 9 werden ignoriert und die Powersine Combi lädt immer die Parameter-Einstellungen, wie im TBS Dashboard konfiguriert. AUS (Lokal): Die lokalen DIP-Schalter-Einstellungen werden verwendet. Alle anderen Parameter sind durch die Hersteller Standard-Einstellungen eingestellt.</p>
 <p>Hersteller Einstel. = AUS</p>	<p><u>Wechselrichter-Ausgangsfrequenz</u> AN : Die Ausgangsfrequenz beträgt 60Hz AUS : Die Ausgangsfrequenz beträgt 50Hz</p>
 <p>Hersteller Einstel. = AN</p>	<p><u>Schutz bei niedriger Batteriespannung</u> AN : Der Schutz bei niedriger Batteriespannung ist an AUS : Der Schutz bei niedriger Batteriespannung ist aus (sofortiges Herunterfahren des Wechselrichters, wenn die Batteriespannung < 8.0V ist)</p>
 <p>Hersteller Einstel. = AUS</p>	<p><u>ASB-Modus</u> AN : ASB-Modus an AUS : ASB-Modus aus</p>
 <p>Hersteller Einstel. 5 = AUS Hersteller Einstel. 6 = AN</p>	<p><u>Nicht S-version: Batterietyp / Ladeprogramm (12V / 24V) ¹⁾</u> 5 = AUS : Batterietyp = "Flooded" (nass) 6 = AUS Absorptionsspannung = 14.4V / 28.8V Floatspannung = 13.5V / 27.0V 5 = AN : Batterietyp = "GEL" 6 = AUS Absorptionsspannung = 14.2V / 28.4V Floatspannung = 13.5V / 27.0V 5 = AUS : Batterietyp = "AGM" 6 = AN Absorptionsspannung = 14.3V / 28.6V Floatspannung = 13.3V / 26.6V 5 = AN : Batterietyp = "Lithium²⁾ oder Custom" 6 = AN Absorptionsspannung = 14.4V / 28.8V (programm.) Floatspannung = 13.3V / 26.6V (programm.)</p>

<div style="text-align: center;">  </div> <p>Hersteller Einstel. 5 = AUS Hersteller Einstel. 6 = AUS</p>	<p><u>S-Version: Ladestrombegrenzung</u></p> <p>5 = AUS : 100% (variabel, Remote-Override durch URC oder 6 = AUS Dashboard zulässig)</p> <p>5 = AN : 100% (behoben, kann nicht über URC oder 6 = AUS Dashboard gesteuert werden)</p> <p>5 = AUS 75% (behoben, kann nicht über URC oder 6 = AN Dashboard gesteuert werden)</p> <p>5 = AN : 50% (behoben, kann nicht über URC oder 6 = AN Dashboard gesteuert werden)</p>
<div style="text-align: center;">  </div> <p>Hersteller Einstel. = AUS</p>	<p><u>“AC Input Power Boost”</u></p> <p>AN : “AC Input Power Boost” an</p> <p>AUS : “AC Input Power Boost” aus</p>
<div style="text-align: center;">  </div> <p>Hersteller Einstel. = AN</p>	<p><u>Modelle : PSC1600-1800</u> <u>Bypass-Fernschalter (umgeht den Fernschalter-Anschluss, wenn kein Fernschalter angeschlossen ist)</u></p> <p>AN : Die Klemmenkästen der Fernschalter werden umgangen</p> <p>AUS : die Fernschalteranschlüsse sind offen. Ein Fernschalter muss angeschlossen und auf AN geschaltet sein , um die Powersine Combi zu aktivieren. Der lokale Hauptschalter an der Vorderseite überlagert immer den Fernschalter. Um also den Fernschalter zu verwenden, muss der Hauptschalter in der 'power on' oder 'charger only'-Position sein.</p> <p><u>Modelle : PSC2000-3500</u> <u>Masseschalter</u></p> <p>AN : Masseschalter ist an</p> <p>AUS : Masseschalter is aus</p>
<div style="text-align: center;">  </div> <p>Hersteller Einstel. = AUS</p>	<p><u>Modelle : nur PSC2000-3500 [-S]</u> Reserviert</p>

 Hersteller Einstel. = AN	<p><u>Modelle : nur PSC2000-3500 [-S]</u> <u>Bypass-Fernschalter (umgeht den Fernschalter-Anschluss, wenn kein Fernschalter angeschlossen ist)</u></p> <p>AN : Die Klemmenkästen der Fernschalter werden umgangen</p> <p>AUS : die Fernschalteranschlüsse sind offen. Ein Fernschalter muss angeschlossen und auf AN geschaltet sein , um die Powersine Combi zu aktivieren. Der lokale Hauptschalter an der Vorderseite überlagert immer den Fernschalter. Um also den Fernschalter zu verwenden, muss der Hauptschalter in der 'power on' oder 'charger only'-Position sein.</p>
---	--

 **VORSICHT**

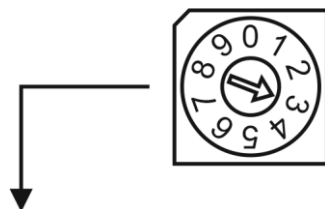
¹⁾ Ungültige Batterietyp-Einstellungen können ernsthafte Schäden an Ihren Batterien und/oder den angeschlossenen Verbrauchern verursachen. Überprüfen Sie immer anhand Ihrer Batterie-Dokumentation die korrekten Ladespannungseinstellungen.

 **VORSICHT**

²⁾ Beim Laden und Entladen von Lithiumbatterien mit eingebautem BMS, achten Sie bitte auf die richtige Größe der Batterien. Aufgrund der größeren Entladetiefe von Lithiumbatterien ist es üblich, Lithiumbatterien mit einer geringeren Kapazität im Vergleich zu bleibasierten Typen zu installieren. Es ist jedoch wichtig zu prüfen, ob diese Batterien noch den maximalen Ladestrom des Powersine Combi aufnehmen können, ohne sein internes BMS-Sicherheitsrelais auszulösen. Gleiches gilt für die Fähigkeit der Batterie, die Spitzenentladeströme zu liefern, die der Powersine Combi benötigt, um anspruchsvolle AC-Lasten zu versorgen. Ein übermäßig auslösendes BMS-Sicherheitsrelais kann im Laufe der Zeit Schäden am Powersine Combi verursachen.

3.3.1 Übersicht der Drehschaltereinstellungen (nur S-Version)

Die Auswahl des Batterietyps bzw. des Ladeprogramms erfolgt bei den S-Versionen der PSC2000-3500-Modelle anders. Statt DIP-Schaltern wird hier ein Drehwahlschalter verwendet, der sich ebenfalls im Anschlussfach befindet (siehe Installationsanleitung). Eine Übersicht der Einstellungen finden Sie in der folgenden Tabelle.



	Batterietyp	Absorption ³⁾	Float ³⁾
0	Custom ⁴⁾	14.0V	13.3V
1	Flooded	14.4V	13.5V
2	Gel	14.2V	13.5V
3	AGM 14.3V (default)	14.3V	13.3V
4	AGM 14.7V	14.7V	13.3V
5	Lead Calcium	14.8V	13.5V
6	LiFePo4 14.0V	14.0V	13.3V
7	LiFePo4 14.4V	14.4V	13.8V
8	-Leer-	-	-
9	-Leer-	-	-

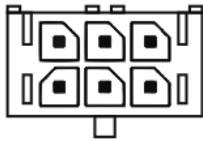
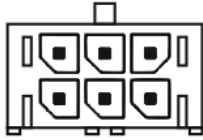
³⁾ Weitere Informationen finden Sie in Kapitel 5.1. Für 24V-Versionen die Spannungen mit 2 multiplizieren.

⁴⁾ Wenn mit der Dashboard-Software ein benutzerdefiniertes Batterieladeprogramm erstellt wird, sollte der Wahlschalter auf Position 0 („Custom“) gestellt werden. Standardmäßig wird diese benutzerdefinierte Position mit einem Standardladeprogramm geladen, das Absorptions- und Erhaltungsspannungseinstellungen von 14,0V bzw. 13,3V (28,0V und 26,6V für 24V-Versionen) verwendet.

3.4 Sync-Port-Setup (nur S-Version)

Die S-Versionen der Modelle PSC2000-3500 können parallel geschaltet werden (auch als „Stacking“ bekannt). Bis zu 3 Einheiten desselben Modells können miteinander kombiniert werden, was zu einem Wechselrichter-/Ladesystem mit sehr hoher Leistung führt. Dies kann durch die Verwendung des optionalen ‘Sync Cable Kit 1.2m’ (TBS Art# 5091951) erreicht werden. Der Anschluss und die Einrichtung eines parallel geschaltete Wechselrichter-/Ladesystems werden in einem separaten Handbuch erläutert, das dem Kit beiliegt (oder von unserer Website heruntergeladen werden kann).

Bei Einzelgeräteinstallationen ist es jedoch trotzdem wichtig, darauf zu achten, dass die Schiebeschalter „Terminator“ und „Role“ in der richtigen Position sind. Andernfalls funktioniert der Wechselrichter/das Ladegerät nicht richtig.



INVERTER SYNC PORT



Das Bild links zeigt den Bereich im Anschlussraum, der für den Aufbau eines parallel geschaltete Wechselrichtersystems reserviert ist.

Bei der eigenständigen Verwendung (ein einzelner Wechselrichter/Ladegerät) stellen Sie bitte sicher, dass nichts an die beiden 6-poligen INVERTER SYNC PORT-Anschlüsse angeschlossen ist. Stellen Sie außerdem sicher, dass sich die beiden Schiebeschalter in den folgenden Positionen befinden:

TERMINATOR → OFF

ROLE → MASTER

4. BETRIEBSANLEITUNG

4.1 Bedienung der Powersine Combi

Der Hauptschalter am Powersine Combi hat drei Stellungen: AN ('power on'), AUS und Nur Ladegerät an ('charger only'), siehe Bild in Kapitel 4.2.

Wenn auf AN geschaltet, wird die Powersine Combi alle Funktionen vollautomatisch ausführen. Es schaltet sich direkt in der Wechselrichter-Modus und gibt Strom an den Verbraucher ab. Wenn das Gerät ans Netz oder an einen Generator angeschlossen wird, analysiert die Powersine Combi das Signal. Liegen Spannung und Frequenz beide innerhalb der geforderten Grenzwerte, so wird die Powersine Combi sich synchronisieren und automatisch die AC-Umschalter aktivieren. Sofort werden die Verbraucher mit Strom versorgt und die Powersine Combi wird auch beginnen, die Batterie zu laden. Falls die Spannung oder die Frequenz der Eingangsquelle außerhalb des Toleranzbereichs fallen, (zum Beispiel, wenn die Netzspannung ausfällt) unterbricht die Powersine Combi sofort den Ladevorgang, öffnet den AC-Umschalter und startet den Wechselrichter-Modus erneut. Das geschieht so schnell, dass der Verbraucher davon nicht beeinträchtigt wird.

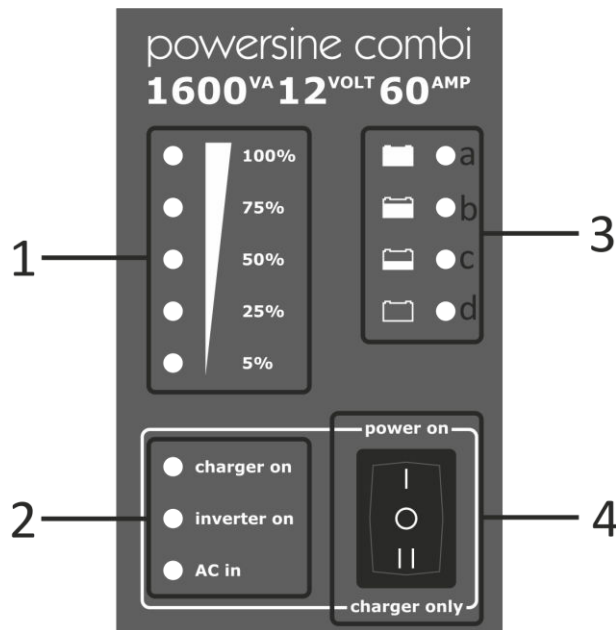
Wenn die Powersine Combi auf AUS geschaltet ist, wird sie vollständig heruntergefahren und kann weder mit dem Fernschalter noch mit der Fernbedienung aktiviert werden. In dieser Betriebsweise verbraucht die Powersine Combi keinen Batteriestrom.

Wenn die Powersine Combi auf nur Ladegerät geschaltet ist, wird der Wechselrichter-Modus abgeschaltet und sie arbeitet nur als Batterieladegerät. Sobald eine brauchbare AC Eingangssignal vorhanden ist, schaltet sich der AC-Umschalter ein und beginnt mit der Batterieladung. Wenn der AC Eingangssignal ausfällt, wird diese Verbindung unterbrochen und die Aufladung der Batterie gestoppt. Powersine Combi erzeugt keinen AC-Signal am Ausgang, wenn keinen AC-Signal am Eingang vorhanden ist.

Information über die LED-Anzeigen auf der Frontplatte und die verschiedenen Fehlermodus-Codes erhalten Sie im nächsten Kapitel.

4.2 Powersine Combi LED-Anzeigen und Error Modes

Bitte betrachten Sie das nächste Bild, um einen Überblick über die Frontplatte der Powersine Combi mit allen LED-Anzeigen und der Lage des Hauptschalters zu erhalten.



Die Frontplatte kann in vier Unterbereiche (1, 2, 3, 4) aufgeteilt werden:

1. Anzeigeleiste mit Doppelfunktion. Zeigt sowohl den Prozentsatz der gelieferten Ausgangsleistung im Wechselrichter-Betrieb (wird rot, wenn mehr als Nennleistung an den Verbraucher abgegeben wird). Im Ladebetrieb zeigt es den Prozentsatz des gelieferten Ladestroms an.
2. Modusanzeigen. Zeigen sowohl die Betriebsart der Powersine Combi als auch den Status jeder Betriebsart an (siehe Erklärung weiter unten):

LED –‘charger on’

Aus	:	lädt nicht
An (grün)	:	lädt
An (rot blinkend)	:	Fehler (siehe Kapitel 4.2.1.)
An (rot)	:	Ladegerät deaktiviert

LED –‘inverter on’

Aus	:	liefert keinen Strom
An (grün)	:	Wechselrichter liefert Strom oder arbeitet in “AC Input Power Boost” Modus
An (rot blinkend)	:	Fehler (siehe Kapitel 4.2.1)
An (rot)	:	Wechselrichter deaktiviert

LED –“AC in”

Aus	:	es liegt keine Netzspannung an, AC-Umschalter offen
An (grün blinkend)	:	AC Eingangssignal vorhanden und im Toleranzbereich, Powersine Combi synchronisiert
An (grün)	:	AC Eingangsspannung stabil, AC-Umschalter geschlossen

- An (rot blinkend) : AC Eingangssignal vorhanden, aber nicht im Toleranzbereich
An (rot) : AC-Umschalter außer Betrieb (offen)

3. Ladezustandsanzeige. Geschätzte Anzeige des Ladefortschritts, siehe unten :

- LED 3a : 100% voll (fertig)
LED 3b : 80% voll
LED 3c : 50% voll
LED 3d : leer

4. Hauptschalter. Siehe Kapitel 4.1 für weitere Erklärungen

4.2.1 Fehler – Anzeige

Wenn die sogenannten Betriebsanzeige-LEDs rot blinken, liegt ein Fehler vor. Jede der Betriebsanzeige-LEDs kann entweder alleine rot blinken oder zusammen mit einer oder mehreren anderen. Es gibt fünf verschiedene Fehlermeldungen, jede mit ihrem eigenen Blinkmuster:

- Ein blink in einer reihe : Fehler an der Batterie (zu niedrige oder zu hohe Batteriespannung, zu hohe Batterietemperatur, zu hohe Spannungswelligkeit, Batteriedefekt)
2 Blinks in Folge : AC-Ausgang überlastet (der Verbraucher benötigt zu viel Strom vom Wechselrichter oder Kurzschluss am Ausgang)
3 Blinks in Folge : Zu hohe Temperatur (Powersine Combi fährt herunter bei zu hoher Temperatur.)
4 Blinks in Folge : Gerätefehler (Fehler in dem Gerät. Bitte zum Kundendienst einschicken)
5 Blinks in Folge : Fehler am Ladeprogramm (nur für "charger on"-LED) Ladeprogramm auf "Custom" aber das Custom Ladeprogramm enthält einen Error (Fehler).

Der Powersine Combi erholt sich automatisch von der Fehlfunktion, wenn die Ursache des Fehlers beseitigt wurde. Wenn jedoch der Error durch zu hohe Welligkeit der Batteriespannung oder Überstrom am AC-Umschalter ausgelöst wurde, dann muss die Powersine Combi manuell Neugestartet werden. Ein Neustart ist auch nötig, wenn zu viele Batterie- und Überlastungs-Errors in zu kurzer Zeit auftreten.

4.3 Programmierbarer Alarm-Relais

Die Powersine Combi ist mit einem oder zwei (je nach Modell) potenzialfreien Alarm-Relais ausgestattet. Standardmäßig wird dieses Relais (oder Relais 1 bei PSC2000-3500 [-S] Modelle) aktiviert, wenn die Powersine Combi herunterfährt und in einen Fehlermodus springt. Das Alarm-Relais wird wieder deaktiviert, wenn der Fehler beseitigt wurde und die Powersine Combi erneut im normalen Betriebsmodus arbeitet.

Relais 2 bei die PSC2000-3500 [-S] Modelle wird nur aktiviert, nachdem der Wechselstromversorgung verfügbar geworden ist. Diese Funktion kann verwendet werden um weniger kritische AC-Lasten (zB Elektroboiler, Klimaanlage) ein und aus zu schalten, die nur bei Generatorbetrieb oder in Verbindung mit dem Landanschluss laufen sollen. Mit Hilfe des TBS Dashboard ist es auch möglich, das Programmierbarer Relais so zu konfigurieren, dass es eine andere Aufgabe durchführt, z.B. den Generator startet, wenn die Batteriespannung ein bestimmtes niedriges Spannungsniveau erreicht hat.

Sowohl normal geöffnete und normal geschlossene Kontakte sind verfügbar. Bitte stellen Sie sicher, dass bei die Modelle PSC1600-1800 die maximale Relais-Kontaktlast von 30Vdc/1A oder 60Vdc/0.3A nicht überschritten wird, um eine Beschädigung des Relais' zu vermeiden. Bei die Modelle PSC2000-3500 [-S] ist die maximale Relais-Kontaktlast 30Vdc/16A oder 250Vac/16A.

4.4 Trigger-Eingang

Der Trigger-Eingang bietet eine Möglichkeit zur externen Steuerung des Verhaltens der Powersine Combi. Der Trigger-Eingang kann an einen externen Schalter oder einen potenzialfreien Relais-Kontakt angeschlossen werden. Durch Schließen dieses externen Schalters oder Kontakts wird eine durch den Nutzer programmierte Aktion' durchgeführt. Eine solche Aktion könnte die Freigabe des AC-Umschalters, die zeitweilige Deaktivierung der "AC Input Power Boost" oder das Umschalten der Powersine Combi in den Wechselrichter-Modus sei. Das kann per TBS Dashboard konfiguriert werden. Die Modelle PSC1600-1800 sind mit ein Trigger-Eingang ausgestattet, weil die Modelle PSC2000-3500 [-S] mit zwei Trigger-Eingänge ausgestattet sind.

4.5 Lastanforderungen im Wechselrichter-Modus

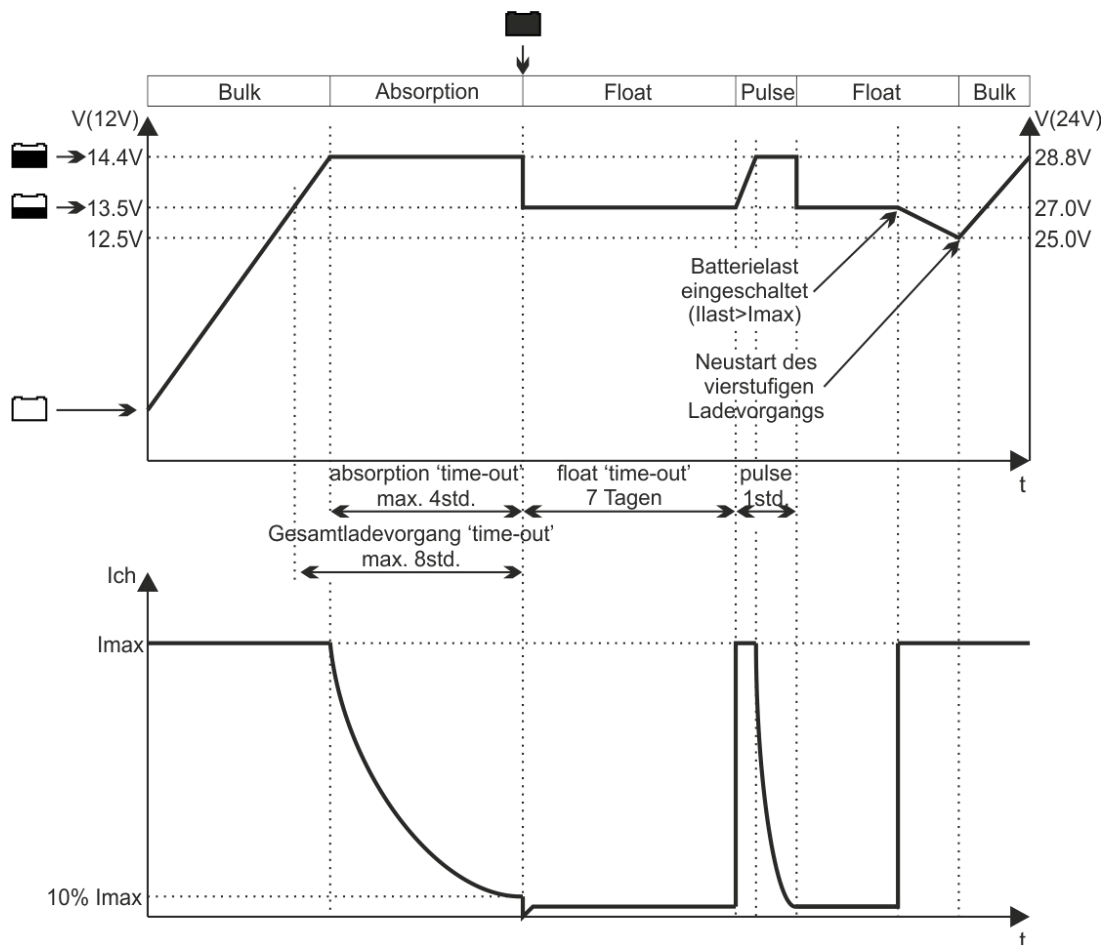
Bevor Sie Ihre Anwendung(en) an den AC-Ausgang der Powersine Combi anschließen, müssen Sie immer den maximalen Stromverbrauch überprüfen. Schließen Sie keine Anwendungen an den AC-Ausgang, die dauerhaft mehr als die Nennleistung des Wechselrichters erfordern. Es sei denn, diese Anwendungen werden nur angeschaltet, wenn der AC-Umschalter aktiviert ist und Strom aus einer externen Quelle mit einer größeren Kapazität als der des Wechselrichters bezogen wird.

Einige Anwendungen wie Motoren oder Pumpen benötigen beim Anlaufen einen hohen Anschaltstrom. In solchen Fällen kann es vorkommen, daß der Anlaufstrom für kurze Zeit den Wert übersteigt, der die automatische Abschaltung des Wechselrichters wegen Überlaststrom auslöst. Die Ausgangsspannung fällt dann kurzzeitig ab, um den Ausgangsstrom des Wechselrichters zu begrenzen. Wenn der Überlaststrom-Auslösewert dauerhaft überschritten wird, fährt der Wechselrichter herunter und startet innerhalb von 20 Sekunden neu. In diesem Fall ist es ratsam, die Anwendung vom Wechselrichter zu trennen, da es eine zu hohe Leistung erfordert, um von dieser Einheit angetrieben zu werden. Die Powersine Combi muss manuell neu gestartet werden, wenn sie aufgrund von Überlasten vier Mal in Folge heruntergefahren ist. Beachten Sie bitte, dass bei höheren Umgebungstemperaturen die Überlast-Kapazität der Powersine Combi reduziert wird.

5. BETRIEB DES LADEGERÄTS

5.1 Ladeprogramme

Alle serienmäßigen, wählbaren Ladeprogramme (mithilfe der DIP-Schalter 5 und 6 oder Drehschalter) führen einen vierstufigen IUoUoP-Ladevorgang durch, bestehend aus den Phasen "Bulk" (Haupt- ladung), "Absorption" (Absorptionladung), "Float" (Erhaltungsladung) und "Pulse" (Puls- ladung). In der unteren Abbildung werden diese vier Phasen des Ladevorgangs graphisch dargestellt :



Während der Bulk Phase liefert das Ladegerät vollen Ausgangsstrom und führt der Batterie typischerweise ungefähr 80% der Ladung zu, sobald die Aufnahmespannung erreicht ist. Während dieser Phase leuchten je nach Bulk ladungsfortschritt die Anzeigen Leer und 50% Voll. Sobald die Aufnahmespannung erreicht wurde, beginnt die Absorption Phase und die Anzeige 80% Voll leuchtet. Während dieser Phase werden die verbleibenden 20% Ladung zurückgeführt. Die Ausgangsspannung wird konstant gehalten, und der Ladestrom verringert sich in Abhängigkeit zum Batterieladestatus. Sobald der Ladestrom unter einen Mindestwert fällt oder die maximale Aufnahmezeit abgelaufen ist, beginnt die Float Phase. Die Anzeige 100% Voll leuchtet, welches darauf hinweist, dass die Batterie voll geladen ist. Während dieser Phase wird die Batteriespannung konstant auf einem sicheren Niveau gehalten. Die Batterie bleibt in einem optimalen Zustand, solange sie in dem eingeschalteten Ladegerät

verbleibt. Angeschlossene Batterieladepreise werden vom Ladegerät direkt mit dem maximal zulässigen Ausgangstromwert versorgt. Wenn mehr Strom erforderlich ist, wird dieser von der Batterie geliefert, was zu einer Minderung der Batteriespannung führt.

Ab einem bestimmten Batteriespannungswert springt das Powersine Combi zurück zur Bulk Phase und führt den vierstufigen Ladevorgang erneut durch, sobald der Verbrauch des Batterieladepreises unter den maximalen Ausgangsstromwert des Ladegeräts gefallen ist.

In der vierten Phase, der "Puls Phase", wird die Ladung aller 7 Tage für ungefähr 1 Stunde erneuert, während das Powersine Combi in der Float Phase arbeitet. Damit wird die Batterie in einem optimalen Zustand gehalten und gleichzeitig ihre Lebensdauer verlängert. Die Batterie kann ohne das Risiko der Überladung in dem eingeschalteten Powersine Combi verbleiben.

Bei installiertem Temperatursensor kompensiert das Powersine Combi die Ladespannung automatisch gegen die Batterietemperatur (außer wenn auf Lithium eingestellt). Das bedeutet, dass die Ladespannung bei niedrigen Temperaturen etwas erhöht und bei höheren Temperaturen verringert wird ($-30\text{mV}/^\circ\text{C}$ bei 12V Ladegeräten und $-60\text{mV}/^\circ\text{C}$ bei 24V Ladegeräten). Auf diese Weise wird ein Überladen verhindert.

Wenn die serienmäßigen wählbaren Ladeprogramme Ihren Ansprüchen noch nicht gerecht werden oder Sie andere Spannungs- und Stromwerte benötigen, können Sie unter Verwendung des optionalen TBSLink Kommunikationskits und mithilfe des TBS Dashboard Software Ihre eigenen Programme erstellen. Es können bis zu 8 unterschiedliche Phasen miteinander verbunden werden; jede einzelne Phase kann vielseitig konfiguriert werden. Weitere Informationen zum TBSLink Kommunikationskit erhalten Sie von Ihrem TBS Händler.

5.2 "Equalize" Modus für nasse Batterien

Der Hersteller kann bei der Verwendung von nasse Bleibatterien ("Flooded") regelmäßige Ladungsausgleiche ("Equalizeladung") empfehlen. Dies trifft auch zu, wenn eine nasse Batterie extrem entladen ist oder oft unzureichend aufgeladen wurde. Während des Ladungsausgleiches wird die Batterie bei verringertem Ausgangsstrom bis auf 15,5V (31V bei 24V Modellen) geladen. Lesen Sie vor dem Durchführen eines Ladungsausgleiches die folgenden Sicherheitsinformationen sorgfältig durch :

VORSICHT

Führen Sie einen Ladungsausgleich nur an nassen Bleibatterien durch. Die Powersine Combi ermöglicht nur dann einen Ladungsausgleich, wenn die DIP-Schalter der Batterie auf nass ("Flooded") gestellt sind. GEL-, AGM- oder Lithium Batterien werden bei solch einem Vorgang zerstört.

Halten Sie sich bei der Durchführung eines Ladungsausgleiches an nasse Batterien an die Anleitungen des Batterieherstellers.

Während des Ladungsausgleiches entwickelt die Batterie explosive Gase. Befolgen Sie alle Sicherheitsvorschriften, die dem Ladegerät beigelegt sind. Sorgen Sie für ausreichende

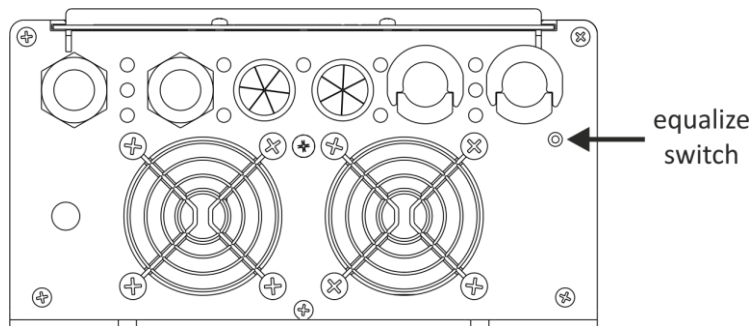
Belüftung um die Batterie herum und vergewissern Sie sich, dass in der Umgebung keine Flammen oder Funken auftreten.

Trennen Sie während des Ladungsausgleiches alle an der Batterie angeschlossenen Lasten. Die der Batterie während des Vorgangs zugeführte Spannung liegt möglicherweise über dem Sicherheitspegel einiger Lasten.

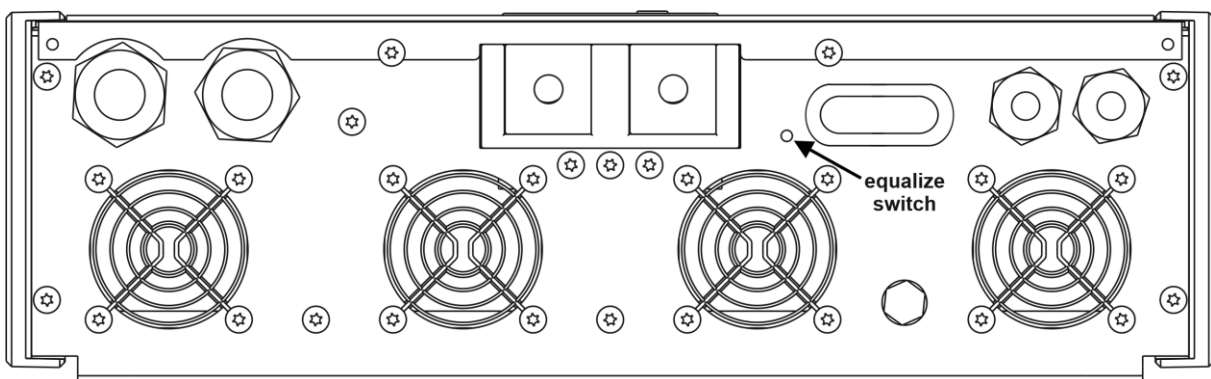
Die Powersine Combi ist nicht in der Lage, automatisch festzustellen, wann der Ladungsausgleich zu beenden ist. Der Benutzer muss die exakte Masseanziehung der Batterie Säure während des gesamten Vorgangs beobachten, um das Ende des Ladungsausgleiches zu bestimmen. Der 2-stündige Timer zum Abschalten des Geräts ist nur ein Sicherheitsmerkmal und möglicherweise nicht kurz genug, um Schäden an der Batterie zu verhindern. Der Ladungsausgleich einer Batterie erfordert deshalb die ständige Beobachtung durch den Benutzer.

Da ein Ladungsausgleich nur bei gefüllten (nassen) Bleibatterien erlaubt ist, dürft die Powersine Combi diese Funktion nur durchführen, wenn das Ladeprogramm nass ("Flooded") eingestellt ist (siehe Kapitel 3.3). Außerdem muss das Ladegerät einen vollständigen Ladevorgang abgeschlossen haben und im Erhaltungs("Float")modus operieren. Wenn diese beiden Bedingungen erfüllt sind, kann der Modus für den Ladungsausgleich aktiviert werden, indem Sie die vertiefte Drucktaste auf der Unterseite des Ladegeräts (siehe bilder unten) für 3 Sekunden gedrückt halten, bis alle Ladestatusanzeigen anfangen zu blinken.

Modelle : PSC1600-1800 :



Modelle : PSC2000-3500 [-S]:



Das Ladegerät erlaubt einen Ladungsausgleich von maximal 2 Stunden, bevor es wieder automatisch zum Float Modus zurückkehrt. Wenn die exakte Masseanziehung der einzelnen Zellen noch nicht mit den technischen Daten des Herstellers übereinstimmt, können Sie einen neuen 2-stündigen Ladungsausgleich starten, indem Sie die Drucktaste erneut für 3 Sekunden gedrückt halten. Prüfen Sie während des Ladungsausgleiches wiederholt die exakte Masseanziehung der einzelnen Zellen. Wenn diese Werte korrekt sind, können Sie den Ladungsausgleich manuell durch einmaliges Drücken der Drucktaste beenden. Das Ladegerät kehrt dann in den Float Modus zurück.

6. RICHTLINIEN ZUR FEHLERSUCHE

Bitte betrachten Sie die Tabelle unten, wenn Probleme mit der Powersine Combi und/oder der Installation auftreten.

Problem	Mögliche Ursache	Abhilfe
Die Powersine Combi arbeitet nicht.	Der Hauptschalter ist in der Aus (0)-Position.	Schieben Sie den Hauptschalter in die 'I' oder 'II' Position.
	Der Fernschalter oder die Universal-Fernbedienung haben das Ladegerät deaktiviert.	Aktivieren Sie die Powersine Combi von fern oder überprüfen Sie den DIP-Schalter 8 oder 10, ob er korrekt eingestellt ist.
	Ein schlechter Kontakt zwischen den Powersine Combi Batteriedrähten und den Batterie-Klemmanschlüssen.	Reinigen Sie die Batterie-Klemmenanschlüsse oder die Powersine Combi-Drahtkontakte. Ziehen Sie die Batterie-Klemmenanschluss-Schrauben an.
	Durchgebrannte Gleichstrom-Sicherung.	Überprüfen Sie die Batterie-Sicherung oder die interne Powersine Combi Sicherung (nur PSC1600-1800).
	Sehr schlechter Zustand der Batterie.	Ersetzen Sie die Batterie.
Der Ladegerät-Modus arbeitet nicht (AC-Umschalter aktiviert sich auch nicht).	Die AC-Eingangsspannung oder -Frequenz sind außerhalb des Bereichs oder zu instabil.	Stellen Sie sicher, dass die AC-Eingangsspannung zwischen 185V und 270V und die Frequenz zwischen 45Hz und 65Hz (angenommene Standard-Einstellungen) liegen.
	Ladegerät-Modus und/oder AC-Umschalter werden während der Einstellung mit dem Dashboard deaktiviert.	Aktivieren Sie den Ladegerät-Modus und den AC-Umschalter mithilfe des Dashboards.
Die Batterie wird nicht bis zu ihrer maximalen Kapazität geladen.	Inkorrekte Absorptions-Ladespannungseinstellung.	Überprüfen Sie die DIP-Schalter 5 und 6, ob sie korrekt eingestellt sind. Oder stellen Sie die Absorptions-Spannung mithilfe des TBS Dashboards ein.

	Inkorrekte Ladestrom-Einstellung.	Stellen Sie den Ladestrom mithilfe der Universal-Fernbedienung oder des TBS Dashboards ein. Normalerweise sollte der Ladestrom auf 10%-20% der Gesamtkapazität der Batterie eingestellt sein.
	Zu hoher Spannungsverlust in den Batteriekabeln und/oder -Anschlüssen.	Stellen Sie sicher, dass der Durchmesser der Batteriekabel groß genug ist. Überprüfen Sie, ob alle Gleichstrom-Anschlüsse angemessen hergestellt sind.
	Zusätzliche Batterie-Lasten verbrauchen zu viel Strom während des Ladevorgangs.	Schalten Sie alle Batterie-Lasten ab.
Der Ladestrom ist zu niedrig.	Hohe Umgebungstemperatur.	Versuchen Sie, die Umgebungstemperatur um die Powersine Combi zu senken.
	Das Ladegerät arbeitet im Absorptionsladungs-Stadium.	Sie unternehmen nichts. Die Batterie ist fast vollständig geladen und verbraucht selbst weniger Strom.
Die Modus-Anzeige-LEDs 'inverter on', 'charger on' und 'AC in' blinken einmal pro Sekunde rot (Batteriefehler).	Die Batterie-Spannung ist zu niedrig (< 8V@12V oder < 16V@24V).	Die Batterie ist beschädigt, ersetzen Sie sie. Die Batterie wurde zu stark entladen, ermöglichen Sie eine langsame Erholung bis über 8.5V, so dass der Umschalter und das Ladegerät zum erneuten Laden der Batterie anlaufen können.
	Die Batterie-Spannung ist zu hoch (> 16.5V@12V oder >33V@24V).	Überprüfen Sie das Gleichstromsystem nach einer externen Quelle, die die Batterie-spannung nach oben treibt.

	Zu hohe Welligkeitsspannung am Batterie-Eingang. (manuelles Neustart erforderlich)	Überprüfen Sie die Batterie-Verdrahtungen. Verringern Sie die Länge der Batterie-kabel. Erhöhen Sie die Batterie- und/oder Kabel Größe. Stellen Sie sicher, dass keine andere Aus-rüstung an der gleichen Batterie eine hohe Welligkeitsspannung erzeugt.
Nur die Modusanzeige-LED 'inverter on' blinkt einmal pro Sekunde rot.	Die Batterie-Spannung ist zu niedrig (< 10V@12V oder <20V@24V).	Legen Sie Netzspannung an den AC-Eingang und begin-nen Sie mit dem Laden der Batterie. Wenn eine andere Abschaltspannung ge-wünscht wird im 'Batterie-Schutz An'-Modus, verwenden Sie bitte das Dashboard
Nur die Modusanzeige-LED 'inverter on' blinkt zweimal pro Sekunde rot.	Der Wechselrichter ist überlastet.	Stellen Sie sicher, dass die Gesamt-Nennleistung des AC-Ausgangs niedriger ist als die Nennleistung des Wechselrichters.
	Der angeschlossene AC-Ausgangslast verursacht einen Kurzschluss.	Stellen Sie sicher, dass die AC-Ausgangslast nicht defekt ist. Überprüfen Sie, ob die Wechselstrom-Ausgangs-Verdrahtung und die Anschlüsse keinen Kurzschluss verursachen.
	Die angeschlossene AC-Ausgangslast verursacht einen zu hohen Einschaltstrom.	Versuchen Sie, die angeschlossene Lasten aufeinander folgend und nicht simultan einzuschalten. Sonst verwenden Sie die angeschlossenen Verbraucher nicht weiter, er ist nicht geeignet, um mit diesem Wechselrichter betrieben zu werden.

<p>Die Modusanzeige-LEDs 'inverter on' und 'charger on' blinken dreimal pro Sekunde rot.</p>	<p>Die Powersine Combi ist aufgrund zu hoher Temperaturen heruntergefahren.</p>	<p>Reduzieren Sie die AC-Ausgangslast im Wechselrichter-Modus. Versuchen Sie die Umgebungstemp. um das Gerät zu senken. Stellen Sie sicher, dass es um das Gerät einen Freiraum von mindestens 10cm gibt. Behindern Sie den Luftfluss nicht, platzieren Sie keine Gegenstände auf der oder über das Gerät. Halten Sie die Powersine Combi fern von direkter Sonneneinstrahlung oder Wärme erzeugender Ausrüstung.</p>
<p>Die Modusanzeige-LED 'AC in' blinkt einmal pro Sekunde rot.</p>	<p>Das AC-Eingangssignal liegt an, aber nicht innerhalb der erforderlichen Spannungs- und Frequenzgrenzen.</p>	<p>Stellen Sie sicher, dass die Wechselstrom-Eingangsspannung innerhalb 185V- 270V und 45Hz-65Hz abfällt.</p>
<p>Alle Modus-Anzeige-LEDs, 'inverter on', 'charger on' und 'AC in', blinken zweimal pro Sekunde rot (manuelles Neustart erforderlich).</p>	<p>Der maximale AC-Umschalterstrom wurde überschritten.</p>	<p>Reduzieren Sie die AC-Ausgangslast.</p>
<p>Die Modusanzeige-LED 'inverter on' oder 'charger on' oder 'AC in' sind dauerhaft rot.</p>	<p>Entweder der Wechselrichter-Modus oder der Ladegerät-Modus oder der AC-Umschalter wurden mithilfe des Dashboards deaktiviert.</p>	<p>Erneut mit dem Dashboard aktivieren, wenn erforderlich.</p>
	<p>Wenn nur 'Wechselrichter an' dauerhaft rot ist,</p>	<p>ist der Hauptschalter der Powersine Combi im 'charger only'-Modus. Das bedeutet, dass der Wechselrichter deaktiviert ist.</p>
<p>Der Ausgabeleistungs-Balken ist rot (Wechselrichter-Modus).</p>	<p>Der Wechselrichter ist überlastet und fährt nach einer bestimmten Zeit herunter (abhängig von der Höhe der Überlast)</p>	<p>Reduzieren Sie die AC-Ausgangslast.</p>

<p>Alle Modusanzeige-LEDs 'inverter on', 'charger on' und 'AC in' blinken viermal rot.</p>	<p>Fehler am Gerät oder dem Anschluss.</p>	<p>Die Powersine Combi ist defekt, senden Sie sie zurück zum Service. Oder die externe AC-Quelle ist statt an den AC-Eingang an den AC-Ausgang angeschlossen.</p>
<p>Die Modusanzeige-LED 'charger on' blinkt fünfmal.</p>	<p>Ladeprogramm-Fehler.</p>	<p>Der Benutzer hat ein leeres oder ein ungültiges Ladeprogramm ausgewählt (das 'custom' (Angepasst) Ladeprogramm ist fabrikseitig leer). Ein fortgeschrittenes, vom Nutzer erstelltes Ladeprogramm enthält eine 'in-den-Fehlermodus-gehen'-Bedingung, zum Beispiel, wenn eine Ladestufe zu viel Zeit benötigt.</p>
<p>Alle Modusanzeige-LEDs „Wechselrichter ein“, „Ladegerät ein“ und „AC in“ laufen kontinuierlich in einer Schleife.</p>	<p>Fehler beim Einrichten des Synchronisierungsports oder Aktion im parallel geschaltete System erforderlich.</p>	<p>Wenn Sie im Standalone-Modus (einzelner Wechselrichter) arbeiten, überprüfen Sie bitte, ob der Schiebeschalter „ROLE“ des Sync-Ports auf „MASTER“ eingestellt ist. Stellen Sie sicher, dass das Gerät zuvor nicht Teil eines gestapelten Systems war (das Gerät muss auf Standalone-Betrieb zurückgesetzt werden – siehe spezielles Handbuch für gestapelte Systeme). Wenn Sie als gestapeltes System arbeiten (mehrere Geräte parallel), stellen Sie sicher, dass alle Geräte eingeschaltet sind und dass das Sync-Kabel richtig angeschlossen beschädigt ist.</p>

Wenn keines der oben genannten Mittel bei der Lösung des Problems hilft, ist es am besten, Sie kontaktieren Ihren lokalen TBS-Händler für weitere Hilfe und/oder zur möglichen Reparatur Ihrer Powersine Combi. Demontieren Sie die Powersine Combi nicht selbst, innerhalb des Geräts treten gefährlich hohe Spannungen auf. Außerdem geht der Garantieanspruch verloren.

7. TECHNISCHE SPEZIFIKATIONEN

Parameter	PSC1600-12-60	PSC1800-24-35	
Wechselrichter-Stufe			
Ausgangsleistung ¹⁾	Pnom	1300W	1400W
	P10min	1600W	1800W
	Pspitze	2500W	3000W
Ausgangsspannung / Frequenz	230Vac ± 2% / 50Hz ± 0.05%		
Ausgang-Wellenform	Echte Sinuswelle (THD < 5% ¹⁾ @ Pnom)		
Eingangsspannung (± 3% Toleranz):	Nom.	12V	24V
	Bereich	10.5 ²⁾ – 16Vdc	21 ²⁾ – 32Vdc
Maximaler Wirkungsgrad	92%	94%	
Leerlauf Leistung ³⁾ [ASB]	< 10W [2.0W]	< 12W [2.0W]	
Ladegerät-Stufe			
AC-Eingangsspannung	185 – 270Vac / 45 – 65Hz / PF > 0.95		
Maximaler Ladestrom ⁴⁾	60A	35A	
Standard-Ladespannung (Bulk / Float @25°C)	14.3V / 13.3V	28.6V / 26.6V	
Ladealgorithmus oder -Programm	IUoUoP, intelligente 4 Stufen, Temp. Comp.		
AC-Umschalter			
Maximaler Dauerstrom	16Arms		
Umschaltzeit (typisch)	0ms (We. → Netz) / < 5ms (Netz → We.)		
Allgemein			
TBSLink aktiviert	Ja		
Schutzvorrichtungen	hohe/niedrige Batteriespannung, hohe Temperatur, Überlast, Kurzschluss hohe Welligkeitsspannung und niedrige AC-Eingangsspannung		
Batterie-Anschlüsse	Zwei Drähte, Länge 1.5 Meter, 35mm ²		
AC-Anschlüsse	Schraubenklemmen		
Gehäuse-Größe	351 x 210 x 114mm		
Gesamtgewicht	10.7kg		
Schutzklasse / Betr.-Temp. / Lagertemp.	IP21 / -20°C .. +50°C / -40°C .. +80°C		
Standards	mit CE-Markierung, die die EMC-Direktiven 2014/30/EU und LVD 2014/35/EU erfüllt in Übereinstimmung mit EN60335-1, EN60335-2-29 und RoHS 2011/65/EU		

Anmerkung: Änderungen der o.g. Daten jederzeit vorbehalten.

- 1) Gemessen mit Ohmscher Belastung. Die Leistung unterliegt einer Toleranz von 10% und sinkt bei steigenden Temperaturen mit einer Rate von ca. 1.2%/°C, beginnend bei 25°C.
- 2) Die Unterspannungsgrenze ist dynamisch. Diese Grenze sinkt mit steigender Last, um den über Kabel und Anschlüsse entstehenden Spannungsabfall zu kompensieren.
- 3) Gemessen bei Nenn-Eingangsspannung und 25°C
- 4) Bei höheren Umgebungstemperaturen sollte der maximale Ladestrom automatisch reduziert werden.

Parameter	PSC2000-12-80 [-S]	PSC2500-24-50 [-S]
Wechselrichter-Stufe		
Ausgangsleistung ¹⁾	Pnom	1800W
	P10min	2100W
	Pspitze	4000W
Ausgangsspannung / Frequenz	230Vac ± 2% / 50Hz ± 0.05%	
Ausgang-Wellenform	Echte Sinuswelle (THD < 5% ¹⁾ @ Pnom)	
Eingangsspannung (± 3% Toleranz):	Nom.	12V
	Bereich	10.5 ²⁾ – 16Vdc
		24V
		21 ²⁾ – 32Vdc
Maximaler Wirkungsgrad	92%	93%
Leerlauf Leistung ³⁾ [ASB]	< 20W [3.5W]	< 20W [4.0W]
Ladegerät-Stufe		
AC-Eingangsspannung	185 – 270Vac / 45 – 65Hz / PF > 0.95	
Maximaler Ladestrom ⁴⁾ (Sekundäres Ausgang)	80A (4A)	50A (4A)
Standard-Ladespannung (Bulk / Float @25°C)	14.3V / 13.3V	28.6V / 26.6V
Ladealgorithmus oder -Programm	IUoUoP, intelligente 4 Stufen, Temp. Comp.	
AC-Umschalter		
Maximaler Dauerstrom	30Arms	
Umschaltzeit (typisch)	0ms (We. → Netz) / < 5ms (Netz → We.)	
Allgemein		
TBSLink aktiviert	Ja	
Schutzvorrichtungen	hohe/niedrige Batteriespannung, hohe Temperatur, Überlast, Kurzschluss hohe Welligkeitsspannung und niedrige AC-Eingangsspannung	
Batterie-Anschlüsse	M10 Bolzen	
AC-Anschlüsse	Schraubeklemmen	
Gehäuse-Größe	370 x 431 x 132mm	
Gesamtgewicht	18.5kg	
Schutzklasse / Betr.-Temp. / Lagertemp.	IP21 / -20°C .. +50°C / -40°C .. +80°C	
Standards	mit CE-Markierung, die die EMC-Direktiven 2014/30/EU und LVD 2014/35/EU erfüllt in Übereinstimmung mit EN60335-1, EN60335-2-29, RoHS 2011/65/EU und UNECE-R10 für 12V Modell	

Anmerkung: Änderungen der o.g. Daten jederzeit vorbehalten.

- 1) Gemessen mit Ohmscher Belastung. Die Leistung unterliegt einer Toleranz von 10% und sinkt bei steigenden Temperaturen mit einer Rate von ca. 1.2%/°C, beginnend bei 25°C.
- 2) Die Unterspannungsgrenze ist dynamisch. Diese Grenze sinkt mit steigender Last, um den über Kabel und Anschlüsse entstehenden Spannungsabfall zu kompensieren.
- 3) Gemessen bei Nenn-Eingangsspannung und 25°C
- 4) Bei höheren Umgebungstemperaturen sollte der maximale Ladestrom automatisch reduziert werden.

Parameter	PSC3000-12-120 [-S]	PSC3500-24-70 [-S]
Wechselrichter-Stufe		
Ausgangsleistung ¹⁾ Pnom	2600W	2800W
P10min.	3200W	3800W
Pspitze	5000W	6500W
Ausgangsspannung / Frequenz	230Vac ± 2% / 50Hz ± 0.05%	
Ausgang-Wellenform	Echte Sinuswelle (THD < 5% ¹⁾ @ Pnom)	
Eingangsspannung : Nom.	12V	24V
Bereich	10.0 ²⁾ – 16.5Vdc	20.0 ²⁾ – 33.0Vdc
Maximaler Wirkungsgrad	92%	93%
Leerlauf Leistung ³⁾ [ASB]	< 20W [3.5W]	< 20W [4.0W]
Ladegerät-Stufe		
AC-Eingangsspannung	185 – 270Vac / 45 – 65Hz / PF > 0.95	
Maximaler Ladestrom ⁴⁾ (Sek. Ausg.)	120A (4A)	70A (4A)
Standard-Ladespannung (bulk / float @ 25°C)	14.3V / 13.3V	28.6V / 26.6V
Ladealgorithmus oder -Programm	IUoUoP, intelligente 4 Stufen, Temp. Comp.	
AC-Umschalter		
Maximaler Dauerstrom	30Arms	
Umschaltzeit (typisch)	0ms (We. → Netz) / < 5ms (Netz → We.)	
Allgemein		
TBSLink aktiviert	Ja	
Schutzvorrichtungen	hohe/niedrige Batteriespannung, hohe Temperatur, Überlast, Kurzschluss, hohe Welligkeitsspannung und niedrige AC-Eingangsspannung	
Batterie-Anschlüsse	M10 Bolzen	
AC-Anschlüsse	Schraubenklemmen	
Gehäuse-Größe	370 x 431 x 132mm	
Gesamtgewicht	19.0kg	
Schutzklasse / Betr.-Temp. / Lagertemp.	IP21 / -20°C .. +50°C / -40°C .. +80°C	
Standards	mit CE-Markierung, die die EMC-Direktiven 2014/30/EU und LVD 2014/35/EU erfüllt in Übereinstimmung mit EN60335-1, EN60335-2-29, RoHS 2011/65/EU und UNECE-R10 für 12V Modell	

Anmerkung: Änderungen der o.g. Daten jederzeit vorbehalten.

- 1) Gemessen mit Ohmscher Belastung. Die Leistung unterliegt einer Toleranz von 10% und sinkt bei steigenden Temperaturen mit einer Rate von ca. 1.2%/°C, beginnend bei 25°C.
- 2) Die Unterspannungsgrenze ist dynamisch. Diese Grenze sinkt mit steigender Last, um den über Kabel und Anschlüsse entstehenden Spannungsabfall zu kompensieren.
- 3) Gemessen bei Nenn-Eingangsspannung und 25°C
- 4) Bei höheren Umgebungstemperaturen sollte der maximale Ladestrom automatisch reduziert werden.

8. GARANTIE / HAFTUNGSBESCHRÄNKUNG

TBS Electronics (TBS) gibt eine 24-monatige Garantie auf einwandfreie Beschaffenheit der Materialien und Ausführung Ihres Produkt. Die Garantiezeit läuft ab Kaufdatum. Während dieser 24 Monate repariert TBS Ihren defekten Produkt kostenlos. Transportkosten allerdings werden nicht übernommen.

Dieser Garantieanspruch verfällt, wenn das Produkt außen oder innen körperliche Beschädigungen oder Veränderungen aufweist. Ferner gilt die Garantie nicht für Beschädigungen, die auf eine unsachgemäße Verwendung¹⁾, auf den Versuch, das Gerät mit zu hohen Anforderungen an die Leistungsaufnahme zu betreiben, oder die Verwendung in einem ungeeigneten Umfeld zurückzuführen sind.

Die Garantie kommt nicht zum Tragen, wenn das Produkt falsch benutzt, vernachlässigt, unsachgemäß installiert oder von einem anderen als dem TBS repariert wurde. Der Hersteller kann nicht für eventuelle Verluste, Beschädigungen oder Kosten, die mit einer unsachgemäßen Verwendung, einer Verwendung in einer ungeeigneten Umgebung, einer unsachgemäßen Installation oder einer Funktionsstörung des Produkts in Zusammenhang stehen, verantwortlich gemacht werden.

Da der Hersteller den Gebrauch und die Montage (gemäß lokaler Bestimmungen) von TBS-Produkten nicht kontrollieren kann, ist der Kunde für den eigentlichen Gebrauch von TBS-Produkten immer selbst verantwortlich. TBS-Produkte sind nicht vorgesehen für die Verwendung als kritische Komponenten in Geräten zur Lebenserhaltung oder in Systemen, die möglicherweise Menschen verletzen und/oder die Umwelt schädigen können. Beim Einsatz von TBS-Produkten für derartige Anwendungen ist der Kunde immer selbst verantwortlich. Der Hersteller übernimmt keine Haftung für eventuelle Verletzungen von Patentrechten oder von anderen Rechten dritter, die sich aus dem Gebrauch des TBS-Produkts ergeben könnten. Der Hersteller behält sich das Recht vor Produktspezifizierungen ohne Vorankündigung zu ändern.

¹⁾ Beispiele für unsachgemäßen Gebrauch sind :

- Verwendung zu hoher Eingangsspannungen
- Umgekehrte Verbindung der Batteriepole
- Mechanische Überlastung des Gehäuses oder Innenteile
- Rückeinspeisung durch den Powersine Combi Ausgang aus externen Stromquellen
- Kontakt mit Flüssigkeiten oder Oxidation verursacht durch Kondensation

9. KONFORMITÄTSERKLÄRUNG

Siehe Seite 30.

SOMMAIRE

1. INTRODUCTION	87
2. DESCRIPTION	88
3. CONFIGURER LE POWERSINE COMBI	89
3.1 Généralités	89
3.2 Paramétrage par défaut d'usine	89
3.3 Aperçu des paramètres des commutateurs DIP	92
3.3.1 Aperçu des paramètres du commutateur rotatif (version S uniquement).....	95
3.4 Configuration du port de synchronisation (version S uniquement)	96
4. FONCTIONNEMENT GÉNÉRAL	97
4.1 Utiliser le Powersine Combi	97
4.2 Modes d'erreur et voyants DEL du Powersine Combi	97
4.2.1. Indications d'erreur	99
4.3 Relais d'alarme programmable	99
4.4 Entrée de déclenchement	100
4.5 Puissance requise en mode onduleur	100
5. FONCTIONNEMENT DU CHARGEUR	101
5.1 Programmes de charge	101
5.2 Egaliser une batterie à liquide.....	102
6. CONSEILS DE DÉPANNAGE	105
7. CARACTÉRISTIQUES TECHNIQUES	110
8. GARANTIE / LIMITE DE RESPONSABILITÉ	113
9. DÉCLARATION DE CONFORMITÉ CE	113

1. INTRODUCTION

Merci d'avoir acheté un onduleur/chargeur Powersine Combi de TBS Electronics (TBS). Veuillez lire ce manuel d'utilisation pour obtenir des informations sur l'utilisation correcte et sans danger de l'appareil. Conservez ce manuel d'utilisation et tous les autres documents inclus à proximité de l'appareil pour de futures consultations. Pour la révision la plus récente du manuel, veuillez vous reporter à la section des téléchargements de notre site Internet.

L'objet de ce manuel d'utilisation est de fournir les explications et les procédures permettant d'utiliser et de configurer le Powersine Combi. Pour installer le Powersine Combi, un guide d'installation séparé est inclus. Le guide d'installation est conçu pour les installateurs ayant des connaissances et de l'expérience dans l'installation d'équipements électriques, des acquis sur les codes d'application en vigueur et connaissant les risques liés aux travaux électriques et les méthodes pour réduire ces risques.



AVERTISSEMENT

Avant d'approfondir ce manuel d'utilisation, veuillez ne pas oublier de lire attentivement le dépliant sur la sécurité et le guide d'installation ci-inclus !

2. DESCRIPTION

Le Powersine Combi est un appareil combiné tout-en-un associant un onduleur sinusoïdal qui transforme le courant continu (CC) en courant alternatif (CA), un chargeur de batterie de pointe à plusieurs étages et un commutateur de transfert CA ultra-rapide. Tout cela est intégré dans un boîtier compact et convivial. En plus de ces trois fonctions principales, plusieurs options uniques sont également offertes. Certaines de ces options bénéficient de la puissante interaction entre les trois fonctions principales.

Le Powersine Combi agit principalement comme un système d'alimentation CA sans coupure (ASC). En cas de panne ou de déconnexion du générateur/du réseau, le Powersine Combi arrête immédiatement le chargement de la batterie, désactive le commutateur de transfert CA et active l'onduleur qui prend en charge l'alimentation des charges connectées. Tout cela s'accomplit si rapidement que même les charges extrêmement sensibles comme les ordinateurs, continueront de fonctionner sans problème. Si le réseau/le générateur est à nouveau connecté et que la tension et la fréquence sont dans des limites acceptables, le Powersine Combi réactive le commutateur de transfert CA et le chargeur de batterie tout en désactivant l'onduleur. Les charges connectées sont alors de nouveau alimentées par le générateur/le réseau sans interruption.

De plus, le Powersine Combi offre plusieurs fonctions :

- **Amplification de puissance d'entrée CA**, qui amplifie temporairement les sources d'entrée CA faibles lorsque les charges connectées nécessitent une puissance supérieure à celle disponible par le réseau ou le générateur.
- **Limite de courant d'entrée CA**, qui limite le courant maximal consommé de la source d'entrée CA par le Powersine Combi. Cette limite peut être réglée par l'utilisateur.
- **Correction du facteur de puissance à l'entrée CA**, qui optimise le rendement énergétique et assure que votre source CA dispose de la quantité maximale de courant de charge.
- **Programmes de charge intelligents à quatre étages**, programmables par l'utilisateur pour s'adapter à tout type de batterie.
- **Paramètres du chargeur de batterie, du commutateur de transfert et de l'onduleur entièrement programmables**, à l'aide du Dashboard TBS pour logiciel Windows.
- **Relais d'alarme programmable**, pour un contrôle optimal des équipements externes comme le démarrage du générateur ou la déconnexion sélective de charge.
- **Entrée de déclenchement à attribuer librement**, qui permet à l'utilisateur de contrôler le Powersine Combi via des événements extérieurs.
- **Ventilateurs contrôlés par la température**, pour garantir un fonctionnement silencieux dans des conditions inférieures à la pleine charge.
- **Chargement de la batterie à compensation thermique**, à l'aide de la sonde de température pour batterie standard fournie pour des durées de vie maximales des batteries.
- **Empilable (modèles S uniquement)**, jusqu'à 3 unités peuvent être connectées en parallèle pour obtenir des niveaux de puissance de sortie et de courant de charge encore plus élevés

3. CONFIGURER LE POWERSINE COMBI

3.1 Généralités

Le Powersine Combi se configure de deux façons. En utilisant les commutateurs DIP situés dans la baie de connexion, une petite sélection des paramètres basiques peut être effectuée. Dans la plupart des cas, cette étape suffit pour régler rapidement l'appareil pour des applications types. Une autre possibilité consiste à régler le Powersine Combi à l'aide du Dashboard TBS pour logiciel Windows. Ce logiciel est inclus dans le kit de communication TBSLink vers USB (art.# 5092120) en option, qui contient également un boîtier d'interface isolé requis pour connecter le Powersine Combi à un PC. À l'aide du Dashboard TBS, tous les paramètres disponibles peuvent s'éditer et il est également possible d'éditer ou de créer vos propres programmes de charge de batterie.

ATTENTION

Lorsque vous configurez le Powersine Combi avec le Dashboard TBS, assurez-vous que le commutateur DIP 1 est réglé sur ON (Externe). Lorsqu'il est réglé sur ON, tous les paramètres des autres commutateurs DIP (2 à 7 ou 9) sont ignorés et le Powersine Combi charge toujours les valeurs de paramétrage ayant été configurées dans le Dashboard TBS. Lorsque le commutateur DIP 1 est à nouveau réglé sur OFF (Local), les commutateurs DIP 2 à 7 ou 9 annulent les valeurs de paramétrage correspondantes, précédemment configurées dans le Dashboard TBS. Les paramètres qui ne peuvent pas être configurés par les commutateurs DIP, reviendront aux valeurs par défaut d'usine.

Ce manuel décrit uniquement les paramètres des commutateurs DIP et tous les paramètres d'usine par défaut importants. La configuration via le Dashboard TBS sera expliquée dans le manuel du Dashboard TBS qui accompagne le kit de communication TBSLink vers USB.

3.2 Paramétrage par défaut d'usine

Le tableau ci-dessous est un aperçu des valeurs de paramétrage d'usine les plus importantes, enregistrées dans le Powersine Combi. Ces valeurs sont basées sur une application moyenne. TBS ne garantit pas qu'elles conviennent à votre propre application. Veuillez vérifier attentivement tous les paramètres, spécialement les tensions de charge de batterie.

Paramètre	Fréquence de l'onduleur
Valeur	50 Hz
Description	Fréquence de sortie en mode onduleur. Se règle sur 50 Hz ou 60 Hz
Configurable par	Commutateur DIP 2 et Dashboard
Paramètre	Tension de l'onduleur
Valeur	230 V
Description	Tension de sortie en mode onduleur. Se règle de 200 V à 240 V
Configurable par	Dashboard




Paramètre	Protection de batterie faible
Valeur	Activé
Description	Active ou désactive la protection de batterie faible avec valeurs d'arrêt, redémarrage et de délai programmables par l'utilisateur (normes 10 V, 12 V et 5 secondes respectivement pour une batterie de 12 V). La désactivation de la protection de batterie faible entraîne l'arrêt immédiat de l'onduleur lorsque la tension de la batterie est inférieure à 8,0 V.
Configurable par	Commutateur DIP 3 et Dashboard
Paramètre	Mise en veille automatique (ASB)
Valeur	Désactive
Description	Active ou désactive l'ASB. L'ASB étant activée, l'onduleur passe en mode ASB automatiquement, lorsque la consommation électrique de la charge connectée passe au-dessous d'un niveau programmable par l'utilisateur. En mode ASB, l'onduleur produit son onde sinusoïdale pour détecter si la charge connectée nécessite plus d'énergie. En mode ASB, le Powersine Combi prélève sensiblement moins de courant de la batterie. Dès que la demande électrique par la charge augmente à nouveau, l'onduleur passe automatiquement en mode continu, délivrant une puissance ininterrompue à la charge. L'ASB étant désactivée, l'onduleur fonctionne toujours en mode continu, ce qui est préférable pour les charges sensibles comme les ordinateurs, les horloges et les équipements audiovisuels.
Configurable par	Commutateur DIP 4 et Dashboard
Paramètre	Plage de tension d'entrée CA (commutateur de transfert)
Valeur	180 V – 270 V
Description	Plage de tension d'entrée acceptée par le Powersine Combi pour alimenter la charge connectée. Deux valeurs de sous-tension CA peuvent être réglées : un niveau de sous-tension absolu qui désactive directement le commutateur de transfert CA s'il est dépassé (paramètre d'usine = 150 V) et un niveau de sous-tension différé, qui désactive le commutateur de transfert CA après un certain délai (les paramètres d'usine sont 180 V et 5 secondes). Le chargeur s'arrête lorsque la tension d'entrée CA descend en dessous de 185 V et redémarre au-dessus de 190 V.
Configurable par	Dashboard
Paramètre	Gamme de fréquences d'entrée CA
Valeur	45 Hz – 65 Hz
Description	Gamme de fréquences d'entrée acceptée par le Powersine Combi. Se règle sur gamme complète (45 Hz – 65 Hz), ou sur une gamme plus étroite entre les limites inférieures de 45 Hz et supérieures de 65 Hz.
Configurable par	Dashboard
Paramètre	Limite du courant d'entrée CA
Valeur	16,0 A ou 30,0 A (en fonction du modèle)
Description	Représente le courant continu maximal que le Powersine Combi prélève de la source d'entrée CA. Pour cela, le Powersine Combi réduira le courant de charge automatiquement ou (si paramétrée) activera l'amplification de puissance d'entrée CA qui fournira le surplus d'énergie




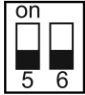


	requis en utilisant l'onduleur parallèlement à la source d'entrée CA. Si la charge connectée prélève toujours trop de courant, l'installateur choisit soit de désactiver le commutateur de transfert CA ou de le maintenir fermé et permettre ainsi de dépasser la valeur limite du courant d'entrée CA. Cette valeur se règle de 1,0 A à 16,0 A ou 2,0 A à 30,0 A (en fonction du modèle) via le Dashboard ou la télécommande universelle en option.
Configurable par	Dashboard et "Universal Remote Control" en option
Paramètre	Amplification de puissance d'entrée CA
Valeur	Désactive
Description	L'amplification de puissance d'entrée CA amplifie temporairement les sources d'entrée CA lorsque les charges connectées nécessitent une puissance supérieure à celle disponible par le réseau ou le générateur. Cela suppose le fonctionnement de l'onduleur parallèlement à la source d'entrée CA. L'onduleur peut augmenter sa puissance nominale de sortie si la batterie est en bon état. Ce paramètre se règle sur On ou Off.
Configurable par	Commutateur DIP 7 et Dashboard
Paramètre	Commutateur de terre
Valeur	Activé
Description	Le commutateur de terre est un relais interne qui relie automatiquement un neutre de sortie CA (N) à la Protection de mise à la terre (PE = châssis) en <u>mode onduleur</u> . Cela permet l'utilisation d'un disjoncteur de fuite à la terre (GFCI) à la sortie CA du Powersine Combi. Lorsqu'une sortie non reliée à la terre (flottante) est nécessaire, désactivez ce paramètre.
Configurable par	Commutateur DIP 8 (sur les modèles de PSC2000-3500 [-S] seulement) et Dashboard
Paramètre	Sensibilité d'échec entrée CA
Valeur	Normale
Description	Ce paramètre se règle sur Très bas, Bas, Haut et Très haut. La valeur de ce paramètre fixe la rapidité de la détection d'une erreur de signal à l'entrée CA par le Powersine Combi. Les paramètres plus bas entraînent une source d'entrée CA plus lente → temps de transfert de l'onduleur, alors que les paramètres plus hauts entraînent des temps de transfert plus rapides. Les paramètres Bas et Très bas s'utilisent lorsque le signal d'entrée CA est déformé ou instable, ce qui peut être le cas lorsqu'un petit générateur est utilisé. Les paramètres Haut et Très haut s'utilisent lorsque le Powersine Combi est relié à un réseau stable ou à un générateur de qualité. Le paramètre d'usine Normal est un bon compromis, qui entraîne toujours une source d'entrée CA rapide → temps de transfert de l'onduleur inférieur à 5 ms, tout en étant raisonnablement insensible aux signaux d'entrée CA déformés.
Configurable par	Dashboard
Paramètre	Type de batterie/Programme de charge
Valeur	AGM
Description	Le programme de charge par défaut AGM est compatible avec les batteries de type AGM classiques, mais s'utilise aussi pour d'autres types de batteries plomb-acide. <u>Veillez vous assurer de toujours vérifier que</u>



	les paramètres du programme de charge du Powersine Combi sont compatibles avec la batterie utilisée ! La tension d'absorption du programme de charge AGM est de 14,3 V (28,6 V@24 V) et la tension d'entretien est de 13,3 V (26,6 V@24 V). Les autres programmes de charge sélectionnables sont Ouvert, GEL et Lithium/Personnalisé. Pour plus d'informations sur le programme de charge, consultez les chapitres 3.3 et 5.1.
Configurable par	Commutateurs DIP 5 et 6 (Version S : commutateur rotatif pos. 3) et Dashboard
Paramètre	Limite de courant de charge
Valeur	100 %
Description	Ce paramètre règle le courant de charge maximal en pourcentage. Cette valeur se règle de 10 % à 100 % via le Dashboard ou la télécommande universelle en option. Vous pouvez régler ce paramètre à une valeur inférieure si la batterie connectée est trop petite et ne peut pas supporter le courant de charge maximal, ou que vous souhaitez réduire (temporairement) la part actuelle du chargeur, dans la quantité totale du courant qui circule à l'entrée CA du Powersine Combi.
Configurable par	Dashboard, "Universal Remote Control" en option et pour la version S uniquement : commutateurs DIP 5 et 6

3.3 Aperçu des paramètres des commutateurs DIP

À l'étape 3 du guide d'installation, vous pouvez changer les paramètres d'usine des commutateurs DIP pour modifier certains éléments de fonctionnalité du Powersine Combi. Pour plus d'informations sur les paramètres, consultez le chapitre précédent (3.2). Vous pouvez définir les paramètres suivants :

	<p align="center">Description des paramètres</p>
 <p>Paramètre d'usine = OFF</p>	<p><u>Programmation locale/externe</u></p> <p>ON (Externe) : Les commutateurs DIP 2 à 7 ou 9 sont ignorés et le Powersine Combi chargera systématiquement les valeurs de paramétrage ayant été configurées dans le Dashboard TBS.</p> <p>OFF (Local) : Les paramètres locaux du commutateur DIP sont utilisés. Tous les autres paramètres sont réglés aux valeurs par défaut d'usine.</p>
 <p>Paramètre d'usine = OFF</p>	<p><u>Fréquence de sortie de l'onduleur</u></p> <p>ON : La fréquence de sortie est 60 Hz</p> <p>OFF : La fréquence de sortie est 50 Hz</p>

 <p>Paramètre d'usine = ON</p>	<p><u>Protection de batterie faible</u> ON : La protection de batterie faible est activée OFF : La protection de batterie faible est désactivée (arrêt immédiat de l'onduleur si la tension de la batterie est < 8,0 V)</p>
 <p>Paramètre d'usine = OFF</p>	<p><u>Mode ASB</u> ON : Mode ASB active OFF : Mode ASB désactivé</p>
 <p>Paramètre d'usine 5 = OFF Paramètre d'usine 6 = ON</p>  <p>Paramètre d'usine 5 = OFF Paramètre d'usine 6 = OFF</p>	<p><u>Version non S: Type de batterie/Programme de charge (12V / 24V) ¹⁾</u> 5 = OFF : Type de batterie = Ouvert 6 = OFF Tension d'absorption = 14,4 V / 28,8 V Tension d'entretien = 13,5 V / 27,0 V 5 = ON : Type de batterie = GEL 6 = OFF Tension d'absorption = 14,2 V / 28,4 V Tension d'entretien = 13,5 V / 27,0 V 5 = OFF : Type de batterie = AGM 6 = ON Tension d'absorption = 14,3 V / 28,6 V Tension d'entretien = 13,3 V / 26,6 V 5 = ON : Type de batterie = Lithium²⁾ / Personnalisé 6 = ON Tension d'absorption = 14,4V / 28,8V (programm.) Tension d'entretien = 13,3V / 26,6V (programm.)</p> <p><u>Version S : Courant de charge maximal</u> 5 = OFF : 100% (variable, remplacement à distance par 6 = OFF URC ou Dashboard autorisé) 5 = ON : 100% (fixe, ne peut pas être contrôlé par URC ou 6 = OFF Dashboard) 5 = OFF : 75% (fixe, ne peut pas être contrôlé par URC ou 6 = ON Dashboard) 5 = ON : 50% (fixe, ne peut pas être contrôlé par URC ou 6 = ON Dashboard)</p>
 <p>Paramètre d'usine = OFF</p>	<p><u>Amplification de puissance d'entrée CA ("AC Input Power Boost")</u> ON : Amplification de puissance d'entrée CA activée OFF : Amplification de puissance d'entrée CA désactivée</p>
 <p>Paramètre d'usine = ON</p>	<p><u>Modèles : PSC1600-1800</u> <u>Sectionneur de dérivation à distance (fait dériver la connexion de l'interrupteur commandé à distance si aucun interrupteur commandé à distance n'est connecté)</u> ON : Les bornes de connexion de l'interrupteur commandé à distance sont dérivées OFF : Les bornes de connexion de l'interrupteur commandé à distance sont ouvertes. Un interrupteur commandé à distance doit être connecté et réglé sur ON pour activer le Powersine</p>

	<p>Combi. L'interrupteur on/off local du panneau avant annule toujours l'interrupteur commandé à distance. Ainsi, pour utiliser l'interrupteur commandé à distance, l'interrupteur on/off local doit être sur "on" ou "charger only".</p> <p><u>Modèles : PSC2000-3500 [-S]</u> <u>Commutateur de terre</u> ON : Le Commutateur de terre active OFF : Le Commutateur de terre désactivé</p>
 <p>Paramètre d'usine = OFF</p>	<p><u>Modèles : PSC2000-3500 [-S] uniquement</u> Réservé</p>
 <p>Paramètre d'usine = ON</p>	<p><u>Modèles : PSC2000-3500 [-S] uniquement</u> <u>Sectionneur de dérivation à distance (fait dériver la connexion de l'interrupteur commandé à distance si aucun interrupteur commandé à distance n'est connecté)</u> ON : Les bornes de connexion de l'interrupteur commandé à distance sont dérivées OFF : Les bornes de connexion de l'interrupteur commandé à distance sont ouvertes. Un interrupteur commandé à distance doit être connecté et réglé sur ON pour activer le Powersine Combi. L'interrupteur on/off local du panneau avant annule toujours l'interrupteur commandé à distance. Ainsi, pour utiliser l'interrupteur commandé à distance, l'interrupteur on/off local doit être sur "on" ou "charger only".</p>

 **ATTENTION**

¹⁾ Les paramètres de type de batterie non valides peuvent sérieusement endommager vos batteries et/ou charges de batteries connectées. Consultez toujours les documents de votre batterie pour avoir les bons paramètres de tension de charge.

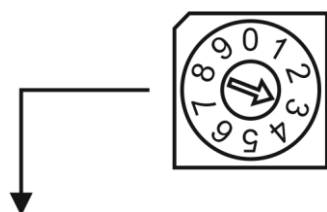
 **ATTENTION**

²⁾ Lorsque vous chargez et déchargez des batteries au lithium avec BMS intégré, assurez-vous de dimensionner correctement les batteries. En raison des capacités de profondeur de décharge plus grandes des batteries au lithium, il est courant d'installer des batteries au lithium d'une capacité inférieure à celle des types à base de plomb. Il est toutefois important de vérifier soigneusement si ces batteries peuvent toujours accepter le courant de charge maximal du Powersine Combi sans déclencher son relais de sécurité BMS interne. Il en va de même pour la capacité de la batterie à fournir les courants de décharge de

pointe dont le Powersine Combi a besoin pour alimenter des charges CA exigeantes. Un relais de sécurité BMS qui trébuche excessivement peut, avec le temps, endommager le Powersine Combi.

3.3.1 Aperçu des paramètres du commutateur rotatif (version S uniquement)

La sélection du type de batterie s'effectue de manière différente sur les versions S des modèles PSC2000-3500. Au lieu des commutateurs DIP, on utilise un sélecteur rotatif qui se trouve également à l'intérieur du compartiment de connexion (voir le guide d'installation). Veuillez consulter le tableau ci-dessous pour un aperçu des paramètres.



	Type de battery	Absorption ³⁾	Entretien ³⁾
0	Personnalisé ⁴⁾	14.0V	13.3V
1	Ouvert (Flooded)	14.4V	13.5V
2	Gel	14.2V	13.5V
3	AGM 14.3V (défaut)	14.3V	13.3V
4	AGM 14.7V	14.7V	13.3V
5	Lead Calcium	14.8V	13.5V
6	LiFePo4 14.0V	14.0V	13.3V
7	LiFePo4 14.4V	14.4V	13.8V
8	-Vide-	-	-
9	-Vide-	-	-

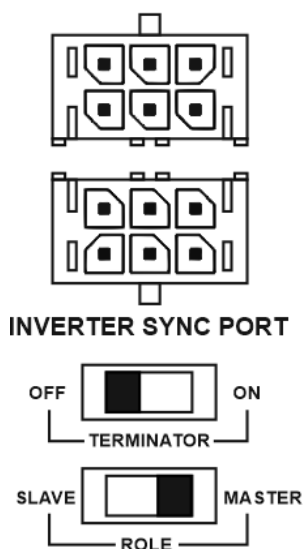
³⁾ Voir le chapitre 5.1 pour plus d'informations. Multipliez les tensions par 2 pour les versions 24 V

⁴⁾ Lorsqu'un programme de charge de batterie personnalisé est réalisé à l'aide du logiciel Dashboard, le sélecteur doit être réglé sur la position 0. Par défaut, cette position personnalisée est chargée avec un programme de charge standard, utilisant des paramètres de tension d'absorption et de flottement de respectivement 14,0 V et 13,3 V (28,0 V et 26,6 V pour les versions 24 V).

3.4 Configuration du port de synchronisation (version S uniquement)

Les versions S des modèles PSC2000-3500 peuvent fonctionner en parallèle (également appelé empilement ou "stacking"). Jusqu'à 3 unités du même modèle peuvent être combinées ensemble, ce qui donne un système onduleur/chargeur de très haute puissance. Cela peut être accompli en utilisant le "Sync Cable Kit 1.2m" en option (TBS art# 5091951). La connexion et la configuration d'un système onduleur/chargeur empilé sont expliquées dans un manuel différent fourni avec le "Sync Cable Kit" (ou peuvent être téléchargées sur notre site Web).

Pour les installations à unité unique, il est toutefois important de s'assurer que les commutateurs coulissants "Terminator" et "Role" sont dans la bonne position. Sinon, l'onduleur/chargeur ne fonctionnera pas correctement.



L'image de gauche montre la section du compartiment de connexion réservée à la mise en place d'un système d'onduleurs empilés.

Pour une utilisation autonome (un seul onduleur/chargeur), assurez-vous que rien n'est connecté aux deux connecteurs "INVERTER SYNC PORT" à 6 pôles. Assurez-vous également que les deux interrupteurs à glissière sont dans les positions suivantes :

"TERMINATOR" → "OFF"

"ROLE" → "MASTER"

4. FONCTIONNEMENT GÉNÉRAL

4.1 Utiliser le Powersine Combi

L'interrupteur principal du Powersine Combi comporte trois positions : "On", "Off" et "Charger only" (voir l'illustration au chapitre 4.2).

Réglé sur On, le Powersine Combi effectue toutes les tâches automatiquement. Il s'allume en mode onduleur et alimente la charge connectée. En cas de connexion d'un réseau ou d'un générateur à l'entrée CA, le Powersine Combi analyse ce signal. Si la tension et la fréquence de ce signal sont toutes les deux dans les limites requises, le Powersine Combi se synchronise au signal d'entrée et active le commutateur de transfert CA automatiquement. Les charges connectées sont maintenant alimentées à partir de la source d'entrée CA et le Powersine Combi charge également la batterie. Dès que la tension ou la fréquence du signal d'entrée CA dépassent les limites requises (par exemple si le signal d'entrée CA disparaît), le Powersine Combi s'arrête automatiquement de charger, désactive le commutateur de transfert CA et réactive l'onduleur. Tout cela se passe très vite pour ne pas perturber la charge connectée.

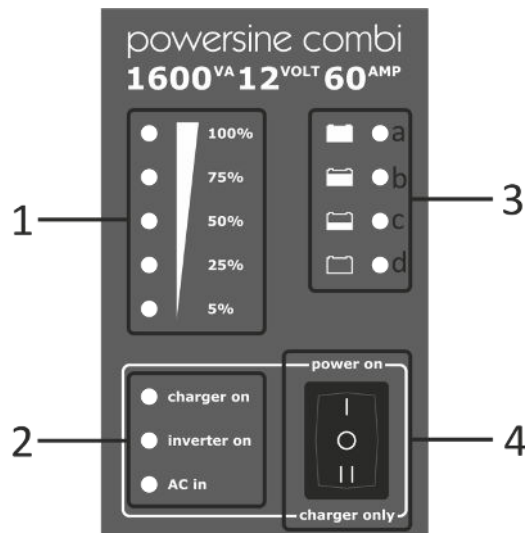
Réglé sur Off, le Powersine Combi s'arrête complètement et ne peut être actionné via un interrupteur commandé à distance ou la télécommande universelle. Dans ce mode, le Powersine Combi ne prélève pas de courant de la batterie.

Réglé sur Chargeur uniquement ("Charger only"), le Powersine Combi désactive le mode onduleur et fonctionne uniquement comme chargeur de batterie autonome. Dès qu'un signal d'entrée CA utilisable est disponible, le Powersine Combi active le commutateur de transfert CA et charge la batterie. En cas d'erreur du signal d'entrée CA, le commutateur de transfert CA se désactive à nouveau et le chargeur s'arrête de charger. Aucun signal CA ne sera présent à la sortie du Powersine Combi en cas d'absence de signal d'entrée CA.

Vous trouverez les informations sur les voyants DEL du panneau avant et les différents codes des modes d'erreur au chapitre suivant.

4.2 Modes d'erreur et voyants DEL du Powersine Combi

Reportez-vous à l'illustration suivante pour avoir un aperçu des voyants DEL situés sur le panneau avant du Powersine Combi et de l'emplacement de l'interrupteur principal.



Le panneau avant se divise en quatre parties :

1. Barre de niveau à double fonction. Indique le pourcentage de puissance de sortie fournie en mode onduleur (devient rouge si une puissance supérieure à la valeur de de sortie nominale est délivrée à la charge). En mode chargeur, cette barre de niveau indique le pourcentage de courant de charge fourni.
2. Voyants de modes. Indiquent le mode de fonctionnement du Powersine Combi ainsi que l'état des différents modes (voir explications ci-dessous) :

Voyant "charger on" (chargeur activé)

Off	:	aucune charge
On (vert)	:	charge
On (rouge clign.)	:	erreur (voir chapitre 4.2.1)
On (rouge)	:	chargeur désactivé

Voyant "inverter on" (onduleur activé)

Off	:	aucune fonction de l'onduleur
On (vert)	:	fonction de l'onduleur ou amplification de la puissance
On (rouge clign.)	:	erreur (voir chapitre 4.2.1)
On (rouge)	:	onduleur désactivé

Voyant "AC in" (entrée CA)

Off	:	absence d'entrée CA, commutateur de transfert ouvert
On (vert clignotant)	:	présence d'une entrée CA se situant dans les limites de la plage prescrite, le Powersine Combi se synchronise
On (vert)	:	entrée CA autorisée, commutateur de transfert fermé
On (rouge clign.)	:	présence d'une entrée CA mais hors plage
On (rouge)	:	commutateur de transfert CA désactivé

3. Barre d'état de charge. Donne une estimation sommaire de la charge en cours. Voir ci-dessous :

Voyant 3a : plein à 100 % (prêt)
Voyant 3b : plein à 80 %
Voyant 3c : plein à 50 %
Voyant 3d : vide

4. Mise sous tension (on), hors tension (off), chargeur uniquement (charger only). Voir chapitre 4.1 pour plus d'explications.

4.2.1. Indications d'erreur

Lorsque les voyants DEL de modes clignotent en rouge, une erreur a été détectée. Tous les voyants DEL de modes peuvent clignoter en rouge individuellement ou conjointement avec un ou plusieurs autres voyants DEL de modes. Il existe cinq indications d'erreur différentes, chacune avec son propre type de clignotement :

Un clignotement à la suite : Erreur de batterie (tension de batterie trop basse ou haute, température de batterie trop basse ou haute, tension d'ondulation de batterie trop haute, défaut de la batterie)
Deux clignotements à la suite : Erreur de surcharge CA (charge CA nécessitant trop d'énergie de l'onduleur, court-circuit de la sortie CA)
Trois clignotements à la suite : Erreur liée à une température élevée (le Powersine Combi s'arrête à une température élevée)
Quatre clignotements à la suite : Erreur de l'appareil (une erreur s'est produite dans le Powersine Combi. Renvoyez-le pour une révision)
Cinq clignotements à la suite : Erreur de programme de charge (uniquement pour le voyant DEL "charger on" - chargeur activé). Sélection de programme de charge réglée sur Personnalisé, alors que le programme de charge personnalisé comporte une erreur ou un délai de temporisation.

Le Powersine Combi se rétablit en principe d'un mode d'erreur automatiquement lorsque la cause de l'erreur a été résolue. Toutefois, en cas d'erreur liée à une tension d'ondulation haute ou à une surintensité du commutateur de transfert CA, une redémarrage manuel du Powersine Combi sera nécessaire. Le Powersine Combi doit être redémarré manuellement en cas de nombreuses erreurs de surcharge et de batterie en peu de temps.

4.3 Relais d'alarme programmable

Le Powersine Combi est équipé d'un ou deux (en fonction du modèle) relais d'alarme libre de potentiel. Ce relais (ou relais no. 1 du modèle PSC2000-3500 [-S]) standard est activé lorsque l'appareil s'arrête et passe à un mode d'erreur. Le relais d'alarme se désactive lorsque l'erreur a été résolue et le Powersine Combi fonctionne à nouveau en mode normal.

Relais no. 2 du modèle PSC2000-3500 [-S], sera activé qu'après l'alimentation AC est devenue disponible. En cas de fonctionnement sur batterie, relais 2 se désactive immédiatement. Ceci peut être utilisé pour commuter des charges moins critiques AC (c. chaudière électrique, clim) sur et en dehors qui sont autorisés à être alimenté par le secteur ou le générateur seulement. À l'aide du Dashboard TBS, il est également possible de configurer le relais d'alarme pour effectuer une autre tâche, comme démarrer un générateur lorsque la tension de la batterie a atteint un niveau bas.

Les deux contacts normalement fermés et normalement ouverts de ces relais sont disponibles. Pour les modèles PSC1600-1800, les évaluations de contact de relais maximales sont 30Vdc/1A ou 60Vdc/0.3A. Pour les modèles PSC2000-3500 [-S], les évaluations de contact de relais maximales sont 30Vdc/16A ou 250Vac/16A.

4.4 Entrée de déclenchement

L'entrée de déclenchement permet de commander de l'extérieur le comportement du Powersine Combi. L'entrée de déclenchement peut se connecter à un interrupteur externe ou à un contact de relais libre de potentiel. En fermant cet interrupteur externe ou ce contact, une "action" programmable par l'utilisateur sera effectuée. Une telle action peut consister à désactiver le commutateur de transfert CA, à désactiver un court instant l'amplification de puissance d'entrée CA ou de forcer le Powersine Combi à passer en mode onduleur. Tout cela peut se configurer dans le Dashboard TBS. Les modèles de PSC1600-1800 sont équipés d'une entrée de déclenchement, tandis que les modèles PSC2000-3500 [-S] sont équipés de deux entrées de déclenchement.

4.5 Puissance requise en mode onduleur

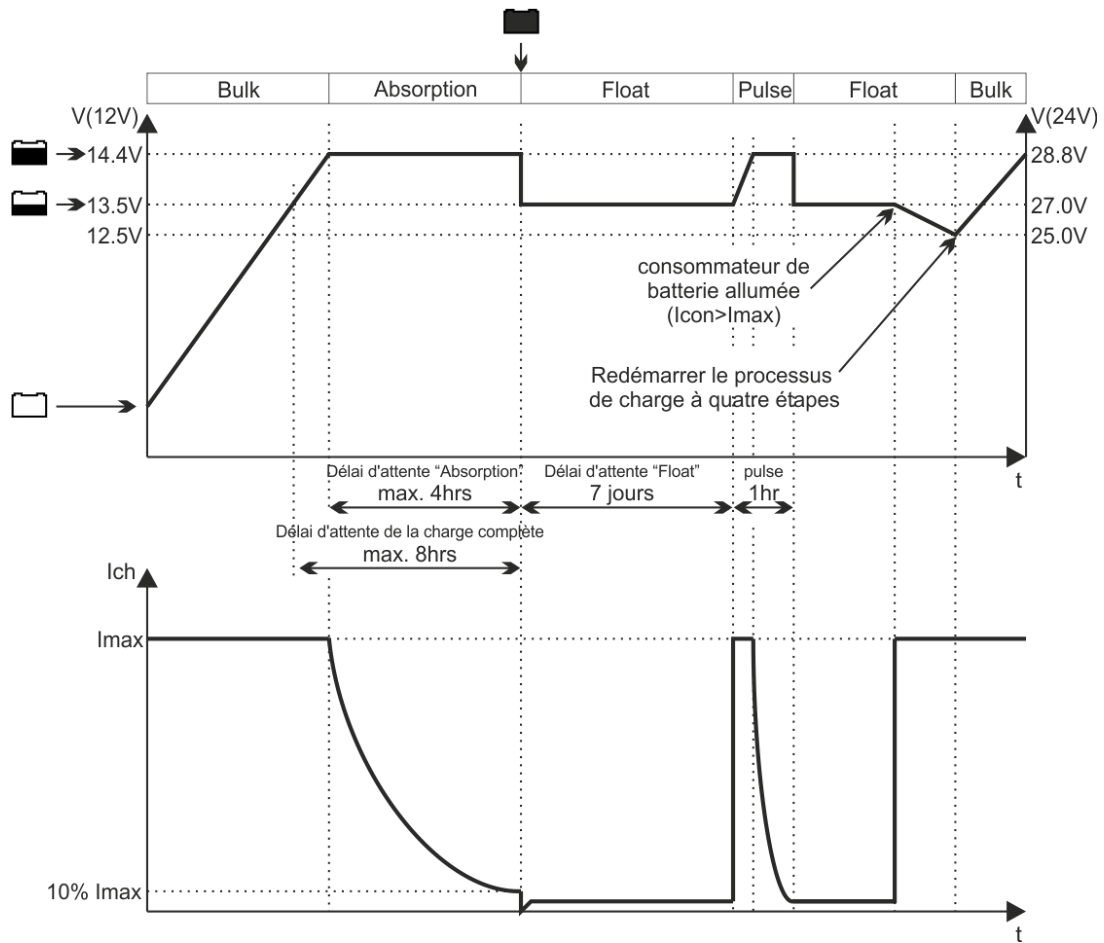
Avant de connecter votre ou vos appareils à la sortie CA du Powersine Combi, vérifiez toujours sa ou leur consommation électrique maximale. Ne connectez pas des appareils à la sortie CA dont les exigences dépassent continuellement la capacité de puissance nominale de l'onduleur. Sauf si ces appareils ne sont mis en circuit que lorsque le commutateur de transfert CA est activé et que la puissance est prélevée d'une source externe avec une capacité supérieure à l'onduleur.

Des appareils comme des moteurs ou des pompes, absorbent des courants d'appel importants au démarrage. Le courant au démarrage peut dépasser le niveau de fonctionnement à surintensité de l'onduleur. Dans ce cas, la tension de sortie diminuera brièvement pour limiter le courant de sortie de l'onduleur. Si le niveau de fonctionnement à surintensité est en permanence dépassé, l'onduleur s'arrêtera et redémarrera automatiquement au bout de 20 secondes. Dans ce cas, il est conseillé de déconnecter cet appareil de l'onduleur, car il nécessite trop de puissance pour être commandé par cet équipement. Le Powersine Combi doit être redémarré manuellement lorsqu'il s'est arrêté à cause d'une surcharge quatre fois de suite. À noter qu'à des niveaux élevés de température ambiante, la capacité de surcharge du Powersine Combi sera réduite.

5. FONCTIONNEMENT DU CHARGEUR

5.1 Programmes de charge

Tous les programmes de charges sélectionnables et standard (utilisant des commutateurs DIP 5 et 6 ou sélecteur rotatif) effectuent un processus de charge IUoUoP à quatre étapes : "Bulk", "Absorption", "Float" et "Pulse". L'image ci-dessous indique le processus de charge à quatre étapes :



A l'étape Bulk, le chargeur livre un courant de sortie complet et envoie, comme à son habitude, environ 80% de charge dans la batterie une fois la tension d'absorption atteinte. Au cours de cette étape, les témoins vide et plein à 50 % seront allumés en fonction du processus de charge du Bulk. Lorsque la tension d'absorption est atteinte, vous passerez à l'étape Absorption et le témoin plein à 80 % s'allumera. Cette étape enverra les derniers 20% de la charge à la batterie. La tension de sortie est maintenue à un niveau constant et le courant de charge diminue comme fonction de l'état de charge de la batterie. Lorsque le courant de la charge est tombé au-dessous d'une certaine valeur ou lorsque la minuterie de l'absorption maximum a expiré, vous passerez à l'étape Float. Le témoin plein à 100 % s'allumera et un message acoustique retentira, indiquant que la batterie est pleine. A cette étape, la tension de la batterie sera constante et maintenue à un niveau sûr pour la batterie. Elle maintiendra la batterie à un état optimal tant que la batterie est branchée au chargeur

activé. Les charges de la batterie connectée seront directement alimentées par le chargeur jusqu'à un niveau de courant de sortie du chargeur maximum. Lorsqu'encore plus de courant arrive, la batterie doit l'alimenter, ce qui mène à une tension de batterie décroissante.

A un certain niveau de tension de batterie, le chargeur revient directement à l'étape Bulk et finalisera à nouveau un processus de charge complet à quatre étapes, une fois que la consommation de la charge de batterie tombe au-dessous du niveau du courant de sortie maximum du chargeur.

La quatrième étape s'appelle "Pulse" et effectue un bref rafraîchissement d'1 heure environ tous les 7 jours pendant que le chargeur fonctionne à l'étape Float. Cela permet à la batterie de rester dans une condition optimale tout en prolongeant sa durée de vie. La batterie peut rester branchée continuellement au chargeur activé, sans risque de surcharge.

Lorsque le capteur de température de la batterie est installé, le chargeur compense automatiquement les tensions de charge par rapport à la température de la batterie (sauf lorsqu'il est réglé sur Lithium). Les tensions de charge augmentent légèrement à des températures plus basses et diminuent à des températures plus élevées (-30mV/°C à des chargeurs de 12V et -60mV/°C à des chargeurs de 24V). De cette façon, le phénomène de surcharge est évité, ce qui prolonge la durée de vie de votre batterie.

Lorsque les programmes de charges sélectionnables et standard ne répondent pas aux demandes, ou lorsque les différents niveaux de courant et de tension sont nécessaires, vous pouvez utiliser le kit de communication facultatif TBSLink et créer vos propres programmes de charges via TBS Dashboard. Vous pouvez lier ensemble jusqu'à 8 étapes différentes et toutes les étapes individuelles peuvent être intensivement configurées. Veuillez contacter votre fabricant d'équipement TBS pour obtenir plus d'informations sur le kit de communication TBSLink.

5.2 Egaliser une batterie à liquide

Si vous utilisez une batterie à liquide, le fabricant peut conseiller d'effectuer un cycle de charge d'égalisation ponctuel. Cela peut s'avérer vrai lorsque la batterie ouverte a été totalement déchargée ou souvent chargée de manière insuffisante. Pendant le processus d'égalisation, la batterie recevra une charge jusqu'à 15.5V (ou 31V pour les modèles 24V) à un niveau de courant de sortie réduit. Avant de commencer un cycle de charge d'égalisation ponctuel, vous devez attentivement lire les précautions suivantes :

ATTENTION

L'égalisation doit uniquement être effectuée sur une batterie à liquid ("flooded"). Par conséquent, les chargeurs tolèrent uniquement l'égalisation lorsque les commutateurs DIP de type batterie sont réglés sur Ouverte. Ce processus endommagera d'autres types de batteries comme GEL, AGM ou Lithium.

Suivez toujours les consignes du fabricant de la batterie lorsque vous effectuez l'égalisation de batteries à liquide.

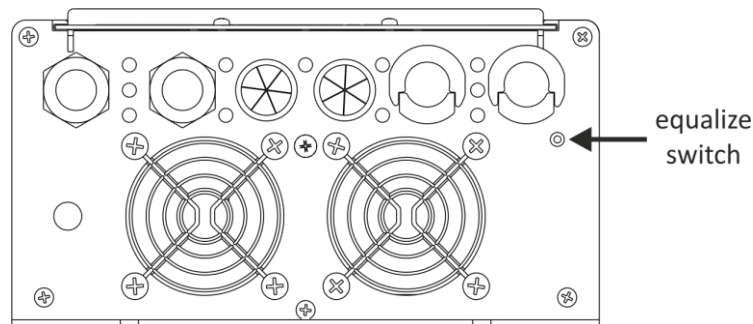
Lors de l'égalisation, la batterie génère des gaz explosifs. Suivez toutes les consignes de sécurité liée à la batterie fournies avec votre chargeur. Aérez suffisamment l'espace qui entoure la batterie et assurez-vous qu'aucune source de flammes ou d'étincelles ne se trouve à proximité.

Débranchez toutes les charges connectées à la batterie lors de l'égalisation. La tension appliquée à la batterie pendant ce processus peut être au-dessus des niveaux de sécurité pour certaines charges.

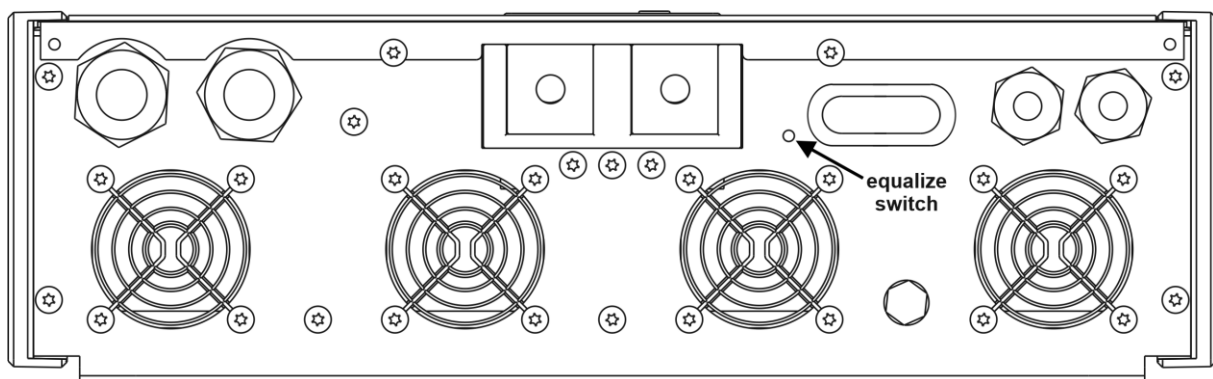
Les chargeurs ne peuvent pas automatiquement fixer quand arrêter l'égalisation d'une batterie. L'utilisateur doit vérifier la gravité propre de la batterie tout au long de ce processus pour fixer la fin du cycle d'égalisation. Le délai d'attente de 2 heures de votre chargeur est uniquement une mesure de sécurité, mais n'est pas suffisamment court pour éviter un dégât au niveau de la batterie. Par conséquent, l'utilisateur doit constamment surveiller le processus d'égalisation de la batterie.

Étant donné que l'égalisation est uniquement tolérée pour les batteries à liquide, les Powersine Combi ne toléreront cette fonction que lorsque vous sélectionnez le programme de charge "batteries à liquide" (voir chapitre 3.3). D'ailleurs, le chargeur doit également avoir un cycle de charge complet et fonctionner sous le mode Float. Si ces deux conditions sont respectées, le mode de charge d'égalisation peut être activé en appuyant sur le bouton-poussoir encastré en bas du Powersine Combi (Voir l'illustrations ci-dessous) pendant 3 secondes jusqu'à ce que tous les témoins d'activité de charge commencent à clignoter.

Modèles : PSC1600-1800 :



Modèles : PSC2000-3500 [-S]:



Le Powersine Combi tolèrera un temps d'égalisation maximum de 2 heures avant de revenir automatiquement en mode Float. Si la gravité propre à chaque pile ne correspond pas encore aux caractéristiques de la batterie du fabricant, vous pouvez entamer un nouveau cycle d'égalisation de 2 heures en appuyant à nouveau sur le bouton-poussoir pendant 3 secondes. Continuez toujours de surveiller la gravité propre à chaque pile à plusieurs reprises pendant le processus d'égalisation. Si ces valeurs sont bonnes, vous pouvez quitter manuellement le processus d'égalisation en appuyant une fois sur le bouton-poussoir encastré. Le chargeur reviendra alors en mode Float.

6. CONSEILS DE DÉPANNAGE

Veillez consulter le tableau ci-dessous si vous rencontrez des problèmes avec le Powersine Combi et/ou lors de l'installation.

Problème	Cause probable	Solution
Le Powersine Combi ne fonctionne pas du tout.	L'interrupteur principal est sur Off (0).	Appuyez sur l'interrupteur d'alimentation pour l'amener à la position "I" ou "II".
	L'interrupteur commandé à distance ou la télécommande universelle a désactivé le chargeur.	Activez le Powersine Combi à distance ou vérifiez le bon réglage du commutateur DIP 8.
	Mauvais contact entre les câbles de la batterie de l'onduleur et les bornes de la batterie.	Nettoyez les bornes de la batterie ou les contacts des câbles de l'onduleur. Serrez les vis des bornes de la batterie.
	Fusible CC sauté.	Vérifiez le fusible de la batterie ou le fusible interne du Powersine Combi (PSC1600-1800 uniquement).
	Batterie très faible.	Remplacez la batterie.
Le mode chargeur ne fonctionne pas (le commutateur de transfert CA ne s'active pas non plus).	La tension ou la fréquence d'entrée CA sont hors plage ou trop instables.	Assurez-vous que la tension d'entrée CA est entre 185V - 270V et la fréquence entre 45Hz – 65Hz (paramètres standard admis)
	Le mode chargeur et/ou le commutateur de transfert CA se sont désactivés pendant le réglage à l'aide du Dashboard	Activez le mode chargeur et le commutateur de transfert CA à l'aide du Dashboard.
La batterie ne se charge pas jusqu'à sa capacité maximale.	Mauvais réglage de la tension de charge d'absorption.	Vérifiez le bon réglage des commutateurs DIP 5 et 6. Ou réglez la tension d'absorption à l'aide du Dashboard TBS.
	Mauvais réglage du courant de charge.	Réglez le courant de charge avec la télécommande universelle ou à l'aide du Dashboard TBS. En général, le courant de charge doit être réglé sur 10 %-20 % de la capacité totale de la batterie.

	Trop de perte de tension dans les câbles et/ou les connexions de la batterie.	Assurez-vous que les câbles de la batterie ont un diamètre suffisant. Vérifiez la solidité de toutes les connexions CC.
	Les charges de batterie supplémentaires consomment trop de courant pendant la charge.	Mettez hors circuit ou déconnectez toutes les charges de batterie.
Le courant de charge est trop bas.	Température ambiante élevée.	Essayez d'abaisser la température ambiante autour du Powersine Combi.
	Le chargeur fonctionne dans la phase de charge d'absorption.	Ne faites rien. La batterie est presque entièrement chargée et consomme moins de courant à elle seule.
Les voyants DEL des modes "inverter on", "charger on" et "AC in" clignotent en rouge une fois par seconde (erreur de batterie).	La tension de la batterie est trop basse (< 8 V@12 V ou < 16 V@24 V).	La batterie est endommagée, remplacez-la. Ou la batterie a été trop déchargée, laissez-la atteindre plus de 8,5 V pour que le commutateur de transfert et le chargeur démarrent afin de la recharger.
	La tension de la batterie est trop élevée (> 16,5 V@12 V ou > 33 V@24 V).	Vérifiez si le circuit CC d'une source externe n'augmente pas trop la tension de la batterie.
	Tension d'ondulation de l'entrée CC trop haute. (redémarré manuelle nécessaire)	Vérifiez les connexions des câbles de batterie. Diminuez la longueur des câbles de batterie. Augmentez la taille de la batterie et/ou de câble. Assurez-vous qu'aucun autre équipement sur la même batterie ne génère une tension d'ondulation élevée.
Seul le voyant DEL du mode "inverter on" clignote en rouge une fois par seconde.	La tension de la batterie est trop basse (< 10 V@12 V ou < 20 V@24 V).	Appliquez la tension secteur à l'entrée CA et commencez à charger la batterie. Si une autre tension de coupure est souhaitée en mode "Battery protect On", utilisez le Dashboard.

Seul le voyant DEL du mode "inverter on" clignote en rouge deux fois par seconde.	L'onduleur est surchargé.	Assurez-vous que la puissance nominale totale de charge de sortie CA est inférieure à la puissance nominale de l'onduleur.
	La charge de sortie CA connectée crée un court-circuit.	Assurez-vous que la charge de sortie CA n'est pas défectueuse. Vérifiez si le câblage et les connexions de sortie CA ne créent pas un court-circuit.
	La charge de sortie CA connectée crée un courant d'appel trop important.	Essayez de mettre en circuit l'équipement connecté successivement et non simultanément. Sinon, n'utilisez pas la charge connectée, elle ne permet pas d'être alimentée avec cet onduleur.
Les voyants DEL des modes "inverter on" et "charger on" clignotent en rouge trois fois par seconde.	Le Powersine Combi s'est arrêté à cause d'une température trop élevée.	Réduisez la charge de sortie CA en mode onduleur. Essayez de diminuer la température ambiante autour du Powersine Combi. Assurez-vous qu'il existe un espace d'au moins 10 cm autour de l'appareil. Ne bloquez pas le débit d'air, ne placez aucun objet sur ou au-dessus de l'appareil. Éloignez le Powersine Combi des rayons directs du soleil ou des équipements qui génèrent de la chaleur.
Le voyant DEM du mode "AC in" clignote en rouge une fois par seconde.	Le signal d'entrée CA est présent sauf dans les limites de fréquences et de tension requises.	Assurez-vous que la tension d'entrée CA est comprise entre 185 V- 270 V et 45 Hz- 65 Hz.
Tous les voyants DEL des modes "inverter on", "charger on" et "AC in" clignotent en rouge deux fois par seconde (redémarré manuelle nécessaire)	Le courant maximal du commutateur de transfert CA est dépassé.	Réduisez la charge de sortie CA

<p>Le voyant DEL du mode “inverter on”, “charger on” ou “AC in” est allumé en rouge en continu.</p>	<p>Le mode de l’onduleur, du chargeur ou le commutateur de transfert CA a été désactivé à l’aide du Dashboard.</p>	<p>Réactivez à l’aide du Dashboard si besoin est.</p>
	<p>Si seul “inverter on” est allumé en rouge en continu.</p>	<p>L’interrupteur principal du Powersine Combi est en mode “charger only”, ce qui fait que l’onduleur est désactivé.</p>
<p>La barre de puissance de sortie est rouge (mode onduleur).</p>	<p>L’onduleur est surchargé et s’arrêtera au bout d’un certain temps (selon le niveau de surcharge)</p>	<p>Réduisez la charge de sortie CA.</p>
<p>Tous les voyants DEL des modes “inverter on”, “charger on” et “AC in” clignotent quatre fois en rouge.</p>	<p>Erreur de l’appareil ou de connexion.</p>	<p>Le Powersine Combi est défectueux, renvoyez-le pour une révision. La source CA externe est connectée à la sortie CA au lieu de l’entrée CA.</p>
<p>Le voyant DEL du mode “charger on” clignote cinq fois.</p>	<p>Erreur du programme de charge.</p>	<p>L’utilisateur a sélectionné un programme de charge vide ou non valide (le programme de charge “custom” est vide en sortie d’usine). Le programme de charge effectué par l’utilisateur contient une “erreur go-to”, par exemple, lorsqu’un étage de charge dure trop longtemps.</p>
<p>Tous les voyants LED de mode “inverter on”, “charger on” et “AC in” fonctionnent en continu en boucle.</p>	<p>Erreur de configuration du port de synchronisation ou action système empilée requise.</p>	<p>En mode autonome (onduleur unique), vérifiez si le commutateur coulissant du port de synchronisation “ROLE” est réglé sur “MASTER”. Assurez-vous que l’unité ne faisait pas partie d’un système empilé auparavant (l’unité doit être réinitialisée pour une utilisation autonome - consultez le manuel spécial du système empilé). En cas de fonctionnement en</p>

		tant que système empilé (plusieurs unités en parallèle), assurez-vous que toutes les unités sont allumées et que le câble de synchronisation est correctement connecté et non endommagé.
--	--	--

Si aucune des solutions ci-dessus ne vous permet de résoudre votre problème, il est préférable de contacter votre distributeur local TBS pour obtenir une assistance supplémentaire et/ou procéder à la réparation éventuelle de votre Powersine Combi. Ne démontez pas vous-même le Powersine Combi car il renferme des tensions dangereusement élevées et cela annulera votre garantie.

7. CARACTÉRISTIQUES TECHNIQUES

Paramètres	PSC1600-12-60	PSC1800-24-35	
Étage de l'onduleur			
Puissance de sortie ¹⁾	Pnom	1300 W	1400 W
	P10min	1600 W	1800 W
	Pmaxi	2500 W	3000 W
Tension/Fréquence de sortie	230 Vac ± 2 % / 50 Hz ± 0,05 %		
Forme d'onde de sortie	sinusoïdale pure (THD < 5 % ¹⁾ @ Pnom)		
Tension d'entrée (tol. ± 3 %) :	Nom.	12 V	24 V
	Plage	10,5 ²⁾ – 16 Vdc	21 ²⁾ – 32 Vdc
Rendement maximum	92 %	94 %	
Consommation à vide ³⁾ [ASB]	< 10 W [2,0 W]	< 12 W [2,0 W]	
Étage du chargeur			
Tension d'entrée CA	185 – 270 Vac / 45 – 65 Hz / PF > 0,95		
Courant de charge continu maximal ⁴⁾	60 A	35 A	
Tension de charge standard (continue brute/entretien à 25°C)	14,3 V / 13,3 V	28,6 V / 26,6 V	
Programme ou algorithme de charge	IUoUoP, intelligent, à 4 étages, temp. comp.		
Commutateur de transfert CA			
Courant continu maximal	16 Arms		
Temps de transfert (typique)	0 ms (ond. → réseau) / < 5 ms (réseau → ond.)		
Généralités			
TBSLink activé	Oui		
Protections	Tension de batterie basse/haute, température élevée, surcharge, court-circuit, tension d'ondulation élevée et tension d'entrée CA basse		
Connexions CC	Deux câbles, longueur d'1,5 m, de 35 mm ²		
Connexions CA	Bornes à vis		
Dimensions du boîtier	351 x 210 x 114 mm		
Poids total	10,7 kg		
Indice de protection/Temp. fonct./Temp. stock.	IP21/-20°C .. +50°C/-40°C .. +80°C		
Normes	Marquage CE, conforme aux directives CEM 2014/30/EU et LVD 2014/35/EU Conformité aux normes EN60335-1, EN60335-2-29 et RoHS 2011/65/EU		

Remarque : les données ci-dessus peuvent être modifiées sans avis préalable.

- 1) Mesure prise avec charge résistive. Les puissances nominales sont soumises à une tolérance de 10 % et diminuent lorsque la température monte avec un taux d'1,2 %/°C environ à partir de 25°C.
- 2) La limite de sous-tension est dynamique. Cette limite diminue lorsque la charge augmente pour compenser la chute de tension dans les câbles et connexions.
- 3) Mesure prise à la tension d'entrée nominale et à une température de 25°C.
- 4) À des températures ambiantes supérieures, le courant de sortie maximal diminue automatiquement.

Paramètres	PSC2000-12-80 [-S]	PSC2500-24-50 [-S]	
Étage de l'onduleur			
Puissance de sortie ¹⁾	Pnom	1800 W	2000 W
	P10min	2100 W	2500 W
	Pmaxi	4000 W	5500 W
Tension/Fréquence de sortie	230 Vac ± 2 % / 50 Hz ± 0,05 %		
Forme d'onde de sortie	sinusoïdale pure (THD < 5 % ¹⁾ @ Pnom)		
Tension d'entrée (tol. ± 3 %) :	Nom.	12 V	24 V
	Plage	10,5 ²⁾ – 16 Vdc	21 ²⁾ – 32 Vdc
Rendement maximum	92 %	93 %	
Consommation à vide ³⁾ [ASB]	< 20 W [3,5 W]	< 20 W [4,0 W]	
Étage du chargeur			
Tension d'entrée CA	185 – 270 Vac / 45 – 65 Hz / PF > 0,95		
Courant de charge continu maximal ⁴⁾ (sec.)	80 A (4 A)	50 A (4 A)	
Tension de charge standard (continue brute/entretien à 25°C)	14,3 V/13,3 V	28,6 V/26,6 V	
Programme ou algorithme de charge	IUoUoP, intelligent, à 4 étages, temp. comp.		
Commutateur de transfert CA			
Courant continu maximal	30 Arms		
Temps de transfert (typique)	0 ms (ond. → réseau) / < 5 ms (réseau → ond.)		
Généralités			
TBSLink activé	Oui		
Protections	Tension de batterie basse/haute, température élevée, surcharge, court-circuit, tension d'ondulation élevée et tension d'entrée CA basse		
Connexions CC	M10 boulons		
Connexions CA	Bornes à vis		
Dimensions du boîtier	370 x 431 x 132 mm		
Poids total	18,5 kg		
Indice de protection/Temp. fonct./Temp. stock.	IP21/-20°C .. +50°C/-40°C .. +80°C		
Normes	Marquage CE, conforme aux directives CEM 2014/30/EU et LVD 2014/35/EU Conformité aux normes EN60335-1, EN60335-2-29, RoHS 2011/65/EU et UNECE-R10 pour modèle 12V		

Remarque : les données ci-dessus peuvent être modifiées sans avis préalable.

- 1) Mesure prise avec charge résistive. Les puissances nominales sont soumises à une tolérance de 10 % et diminuent lorsque la température monte avec un taux d'1,2 %/°C environ à partir de 25°C.
- 2) La limite de sous-tension est dynamique. Cette limite diminue lorsque la charge augmente pour compenser la chute de tension dans les câbles et connexions.
- 3) Mesure prise à la tension d'entrée nominale et à une température de 25°C.
- 4) À des températures ambiantes supérieures, le courant de sortie maximal diminue automatiquement.

Paramètres	PSC3000-12-120 [-S]	PSC3500-24-70 [-S]
Étage de l'onduleur		
Puissance de sortie ¹⁾ Pnom	2600W	2800W
P10min.	3200W	3800W
Pmaxi	5000W	6500W
Tension/Fréquence de sortie	230Vac ± 2% / 50Hz ± 0.05%	
Forme d'onde de sortie	sinusoïdale pure (THD < 5 % ¹⁾ @ Pnom)	
Tension d'entrée : Nom.	12V	24V
Plage	10.0 ²⁾ – 16.5Vdc	20.0 ²⁾ – 33.0Vdc
Rendement maximum	92%	93%
Consommation à vide ³⁾ [ASB]	< 20W [3.5W]	< 20W [4.0W]
Étage du chargeur		
Tension d'entrée CA	185 – 270Vac / 45 – 65Hz / PF > 0.95	
Courant de charge maximal ⁴⁾ (Sec.)	120A (4A)	70A (4A)
Tension de charge standard (continue brute/entretien à 25°C)	14.3V / 13.3V	28.6V / 26.6V
Programme ou algorithme de charge	IUoUoP, intelligent, à 4 étages, temp. comp.	
Commutateur de transfert CA		
Courant continu maximal	30Arms	
Temps de transfert (typique)	0 ms (ond. → réseau) / < 5 ms (réseau → ond.)	
Généralités		
TBSLink activé	Oui	
Protections	Tension de batterie basse/haute, température élevée, surcharge, court-circuit, tension d'ondulation élevée et tension d'entrée CA basse	
Connexions CC	M10 boulons	
Connexions CA	Bornes à vis	
Dimensions du boîtier	370 x 431 x 132mm	
Poids total	19.0kg	
Indice de protection/Temp. fonct./Temp. stock.	IP21 / -20°C .. +50°C / -40°C .. +80°C	
Normes	Marquage CE, conforme aux directives CEM 2014/30/EU et LVD 2014/35/EU Conformité aux normes EN60335-1, EN60335-2-29, RoHS 2011/65/EU et UNECE-R10 pour modèle 12V	

Remarque : les données ci-dessus peuvent être modifiées sans avis préalable.

- 1) Mesure prise avec charge résistive. Les puissances nominales sont soumises à une tolérance de 10 % et diminuent lorsque la température monte avec un taux d'1,2 %/°C environ à partir de 25°C.
- 2) La limite de sous-tension est dynamique. Cette limite diminue lorsque la charge augmente pour compenser la chute de tension dans les câbles et connexions.
- 3) Mesure prise à la tension d'entrée nominale et à une température de 25°C.
- 4) À des températures ambiantes supérieures, le courant de sortie maximal diminue automatiquement.

8. GARANTIE / LIMITE DE RESPONSABILITÉ

TBS Electronics (TBS) garantit que ce produit est libre de tout défaut de fabrication ou du matériel pour une période de 24 mois à dater de la date d'achat. Pendant cette période TBS réparera l' produit défectueux gratuitement. TBS n'est pas responsable des frais de transports éventuellement occasionnés par la réparation.

Cette garantie est annulée si l' produit a souffert de dommages physiques ou d'une altération, interne ou externe, et ne couvre pas les dommages dus à un usage impropre¹⁾, à la tentative d'utiliser l'onduleur avec des appareils ayant une consommation excessive (par rapport aux spécifications de l'appareil) ou l'utilisation dans un environnement inadéquat.

Cette garantie ne s'appliquera pas si l'appareil a été mal utilisé, négligé, incorrectement installé ou réparé par quelque d'autre que le TBS. Le fabricant n'est pas responsable des pertes, dommages ou coûts occasionnés par un usage incorrect, par un usage dans un environnement impropre, par une installation incorrecte de l'appareil ou par une disfonctionnement de celui-ci.

Comme le fabricant ne peut pas contrôler l'usage et l'installation des produits TBS, le client est toujours responsable pour l'usage actuel des produits TBS. Les produits TBS ne sont pas conçus pour être utilisés comme composants d'une installation de maintenance vitale qui peut potentiellement blesser les hommes ou l'environnement. Les clients sont toujours responsables quand ils installent les produits TBS pour ce type d'applications. Le fabricant n'accepte aucune responsabilité en cas de violation des brevets ou autres droits des tierces parties, résultant de l'usage des produits TBS. Le fabricant se réserve le droit de changer les spécifications du produit sans préavis.

1) Exemples d'usage incorrect :

- Voltage trop important à l'entrée
- Inversion des polarités
- Dégâts internes ou externes dus à une mauvaise manipulation ou à un mauvais emballage
- Contact avec des liquides ou oxydation causée par la condensation.
- Branchement de mauvaises batteries (tensions de batterie trop élevées)

9. DÉCLARATION DE CONFORMITÉ CE

Voir page 30.

TABLA DE CONTENIDOS

1. INTRODUCCIÓN	115
2. DESCRIPCIÓN	116
3. CONFIGURACIÓN DEL POWERSINE COMBI	117
3.1 General	117
3.2 Ajustes predeterminados de fábrica de los parámetros.....	117
3.3 Información general sobre los ajustes de los conmutadores DIP.....	121
3.3.1 Descripción general de los ajustes del interruptor giratorio (solo versión S)...	124
3.4 Configuración del puerto de sincronización (solo versión S).....	124
4. FUNCIONAMIENTO GENERAL.....	125
4.1 Funcionamiento del Powersine Combi	125
4.2 Modos de errores e indicadores LED del Powersine Combi	126
4.2.1. Indicaciones de errores	127
4.3 Relé de alarma programable	128
4.4 Entrada de arranque	128
4.5 Requisitos de carga en el modo inversor	129
5. FUNCIONAMIENTO DEL CARGADOR	130
5.1 Programas de carga.....	130
5.2 Ecuación de una batería de electrolito líquido	131
6. GUÍA DE RESOLUCIÓN DE PROBLEMAS.....	133
7. ESPECIFICACIONES TÉCNICAS.....	138
8. CONDICIONES DE LA GARANTÍA.....	141
9. DECLARACIÓN DE CONFORMIDAD.....	141

1. INTRODUCCIÓN

Gracias por adquirir un conjunto de inversor/cargador TBS Electronics (TBS) Powersine Combi. Por favor, lea este manual de usuario para conocer cómo utilizar el producto de manera adecuada y segura. Guarde este manual de usuario y el resto de la documentación incluida cerca del producto por si necesita consultarlos en el futuro. Para obtener la revisión más reciente del manual, consulte la sección de descargas de nuestro sitio Web.

El objetivo de este manual de usuario es explicar los procedimientos de uso y configuración del Powersine Combi. Para instalar el Powersine Combi, se incluye una guía de instalación aparte. La guía de instalación está destinada a instaladores con conocimientos y experiencia en la instalación de equipos electrónicos, conocimientos de los códigos de instalación correspondientes, y que sean conscientes de los riesgos que conllevan los trabajos eléctricos y cómo reducir dichos riesgos.



ADVERTENCIA

Antes de seguir con este manual de usuario, lea atentamente el folleto de seguridad adjunto y la guía de instalación.

2. DESCRIPCIÓN

El Powersine Combi es un conjunto todo en uno de inversor sinusoidal de CC a CA, un avanzado cargador de baterías multifase y un conmutador de transferencia de CA de alta velocidad. Todo ello integrado en un conjunto compacto y fácil de instalar. Además de estas tres funciones principales, el conjunto ofrece otras características exclusivas, algunas de las cuales se benefician de la excepcional interacción entre las tres funciones principales.

La principal tarea del Powersine Combi es la de hacer de fuente de alimentación de CA ininterrumpida (UPS). En caso de fallo o desconexión de la red/generador, el Powersine Combi dejará de cargar la batería inmediatamente, liberará el conmutador de transferencia de CA y activará el inversor que lleva el suministro a las cargas conectadas. Todo esto se realiza tan rápidamente que incluso las cargas más importantes, como la de los ordenadores, seguirán funcionando sin problemas. En caso de que vuelva la conexión de la red/generador y el voltaje y la frecuencia tengan de nuevo límites aceptables, el Powersine Combi activará el conmutador de transferencia de CA y el cargador de batería otra vez, y desactivará el inversor. Las cargas conectadas volverán a contar con suministro de la red/generador sin interrupciones.

Asimismo, el Powersine Combi ofrece características como :

- **Aumento de potencia de corriente CA**, que asiste temporalmente a fuentes de entrada de CA débiles cuando la carga conectada necesita más corriente que la disponible en la red o el generador.
- **Límite de corriente de entrada de CA**, que limita la corriente máxima consumida de la fuente de entrada por parte del Powersine Combi. Este límite puede ajustarlo el usuario.
- **Entrada de CA con factor de corriente corregido**, que optimiza la eficiencia energética y garantiza la disponibilidad de la máxima cantidad de corriente de carga desde su fuente de CA.
- **Programas inteligentes de carga de 4 fases**, programables por el usuario para ajustarse a cualquier tipo de batería.
- **Parámetros de cargador de batería, conmutador de transferencia e inversor completamente programables**, utilizando el Panel de Control TBS (“Dashboard”) para el software Windows.
- **Relé de alarma programable**, para un control óptimo de dispositivos externos, como el arranque de generadores o la desconexión selectiva de cargas.
- **Entrada de arranque asignable libremente**, que permite al usuario controlar el Powersine Combi mediante eventos externos.
- **Ventiladores con temperatura controlada**, para garantizar un funcionamiento silencioso en condiciones que no sean de carga completa.
- **Carga de batería con temperatura compensada**, utilizando el sensor de temperatura estándar incluido para aumentar la vida de la batería al máximo.
- **Apilable / “Stackable” (solo modelos S)**, se pueden conectar hasta 3 unidades en paralelo para lograr niveles de potencia de salida y corriente de carga aún mayores

3. CONFIGURACIÓN DEL POWERSINE COMBI

3.1 General

El Powersine Combi se puede configurar de dos maneras. Con los conmutadores DIP ubicados en el puerto de conexión se puede realizar una pequeña selección de ajustes básicos. En la mayoría de los casos, esto será suficiente para configurar rápidamente la unidad para aplicaciones habituales. Otra opción es la de configurar el Powersine Combi con el Panel de Control TBS (“Dashboard”) para el software Windows. Este software se incluye en el Kit opcional TBSLink to USB Communication (art.# 5092120), que contiene también una caja de interfaz aislada necesaria para conectar el Powersine Combi a un PC. Con el Panel de Control TBS se pueden editar todos los parámetros disponibles, y es posible también editar o crear sus propios programas de carga de baterías.

PRECAUCIÓN

A hora de configurar el Powersine Combi mediante el Panel de Control TBS, asegúrese de que el conmutador DIP 1 esté en la posición ON (Externa). Cuando está en la posición ON, el resto de ajustes del conmutador DIP (del 2 al 7 o 9) se ignoran y el Powersine Combi siempre carga los ajustes de parámetros configurados en el Panel de Control TBS (“Dashboard”).

Cuando el conmutador DIP 1 vuelve a la posición OFF (Local), los conmutadores DIP 2 a 7 o 9 anulan los ajustes de parámetros correspondientes realizados previamente en el Panel de Control TBS. Los parámetros que no se pueden configurar con interruptores DIP volverán a adquirir los ajustes predeterminados de fábrica.

Este manual describe únicamente los ajustes de los conmutadores DIP y todos los parámetros predeterminados de fábrica relevantes. La configuración con el Panel de Control TBS viene detallada en el manual de Panel de Control TBS que se incluye con el Kit de comunicación TBSLink a USB.

3.2 Ajustes predeterminados de fábrica de los parámetros

La siguiente tabla incluye información general de los ajustes predeterminados de fábrica más relevantes que incluye el Powersine Combi. Estos ajustes hacen referencia a una aplicación normal. TBS no puede garantizar que estos datos se correspondan exactamente con los de su aplicación específica. Compruebe bien todos los parámetros, especialmente los voltajes de carga de las baterías.

Parámetro	Frecuencia del inversor
Valor	50Hz
Descripción	Frecuencia de salida en modo inversor. Puede ajustarse en 50Hz o 60Hz
Config. mediante	Conmutador DIP 2 y TBS Dashboard
Parámetro	Frecuencia del inversor
Valor	230 V






Descripción	Voltaje de salida en modo inversor. Puede ajustarse desde 200 V a 240 V
Config. mediante	TBS Dashboard
Parámetro	Protección de batería baja
Valor	Encendido
Descripción	Activa o desactiva la protección de batería baja con valores programables por parte del usuario de apagado, reinicio y retraso (valores estándar 10 V, 12 V y 5 segundos, respectivamente para una batería de 12V). Al desactivar la protección de batería baja, el inversor se apaga inmediatamente cuando el voltaje de la batería es inferior a 8,0 V.
Config. mediante	Conmutador DIP 3 y TBS Dashboard
Parámetro	Stand By automático (ASB)
Valor	Apagado
Descripción	Activa o desactiva el ASB. Si está activado, el inversor salta al modo ASB automáticamente cuando el consumo de corriente de la carga conectada cae por debajo de un nivel programable por el usuario. En el modo ASB, el inversor emite su onda sinusoidal para detectar cuándo la carga conectada requiere más corriente de nuevo. Cuando funciona en modo ASB, el Powersine Combi extrae mucha menos corriente de la batería. Cuando vuelve a aumentar la demanda de corriente de carga, el inversor salta automáticamente a modo continuo, transmitiendo una corriente ininterrumpida a la carga. Al desactivarlo, el inversor funcionará siempre en modo continuo, que es mejor para cargas críticas como ordenadores, relojes y equipos audiovisuales.
Config. mediante	Conmutador DIP 4 y TBS Dashboard
Parámetro	Rango de voltaje de entrada de CA (conmutador de transferencia)
Valor	180 V – 270 V
Descripción	El rango de voltaje de entrada que acepta el Powersine Combi para la alimentación de la carga conectada. Se pueden ajustar dos valores de bajo voltaje de CA. Un nivel de bajo voltaje absoluto que libera directamente el conmutador de transferencia de CA cuando se supera (valor de fábrica = 150 V), y un nivel de bajo voltaje retrasado que libera el conmutador de transferencia de CA después de un determinado retraso (los valores de fábrica son 180 V y 5 segundos). El cargador deja de cargar cuando el voltaje de entrada de CA cae por debajo de 185 V y vuelve a reiniciarse por encima de 190 V.
Config. mediante	TBS Dashboard
Parámetro	Rango de frecuencia de entrada de CA
Valor	45Hz – 65Hz
Descripción	El rango de frecuencia de entrada que acepta el Powersine Combi. Se puede ajustar al rango completo (45Hz – 65Hz), o a un rango menor dentro del límite inferior de 45Hz y el límite superior de 65Hz.
Config. mediante	TBS Dashboard
Parámetro	Límite de corriente de entrada de CA
Valor	16,0 A o 30,0 A (dependiendo del modelo)
Descripción	Representa la corriente continua máxima que extrae el Powersine Combi





	de la fuente de entrada de CA. Para ello, el Powersine Combi reduce la corriente de carga automáticamente, o (cuando está activado) active la función de Aumento de potencia de corriente de CA, que suministra la demanda de corriente adicional haciendo funcionar al inversor en paralelo con la fuente de entrada de CA. Si la corriente de carga sigue extrayendo demasiada corriente, el instalador puede optar por desactivar el conmutador de transferencia de CA, o bien mantenerlo cerrado y permitir que se supere el valor límite de corriente de entrada de CA. Este valor se puede ajustar entre 1,0 A y 16,0 A o 2,0 A y 30,0 A (dependiendo del modelo) con el Panel de Control o el Control remoto universal.
Config. mediante	TBS Dashboard y Control remoto universal
Parámetro	Aumento de potencia de entrada de CA
Valor	Apagado
Descripción	El Aumento de potencia de corriente de CA asiste temporalmente a fuentes de entrada de CA débiles cuando la carga conectada necesita más potencia que la disponible en la red o el generador. Para ello, se hace funcionar el inversor en paralelo con la fuente de entrada de CA. El inversor puede añadir corriente a su potencia de salida nominal, suponiendo que la batería esté en buen estado. Este parámetro se puede establecer como Encendido o Apagado.
Config. mediante	Conmutador DIP 7 y TBS Dashboard
Parámetro	Conmutador de puesta a tierra
Valor	Activado
Descripción	El conmutador de puesta a tierra es un relé interno que conecta automáticamente el Neutro de salida de CA (N) a la Conexión a puesta de tierra de protección (PE = chasis) en <u>modo inversor</u> . De este modo se permite el uso de un interruptor del circuito de fallos en toma a tierra (GFCI) en la salida de CA del Powersine Combi. Cuando se necesita una salida sin conexión a tierra (flotante), este parámetro se puede deshabilitar.
Config. mediante	Conmutador DIP 8 (en los modelos de PSC2000-3500 [-S] solamente) y TBS Dashboard
Parámetro	Sensibilidad de fallos de entrada de CA
Valor	Normal
Descripción	Este parámetro se puede ajustar en Muy bajo, Bajo, Normal, Alto y Muy alto. El valor de este parámetro determina la velocidad con la que el Powersine Combi detecta un fallo de señal en la entrada de CA. Los ajustes más bajos dan lugar a un tiempo de transferencia de fuente de entrada de CA → inversor más lento, mientras que los ajustes más altos dan lugar a tiempos de transferencia más rápidos. Los ajustes Bajo y Muy bajo se pueden utilizar cuando la señal de entrada de CA está distorsionada o es inestable, que podría ser el caso cuando se utiliza un generador pequeño. Los ajustes Alto y Muy alto se pueden utilizar cuando el Powersine Combi está conectado a una red estable o a un generador de gran calidad. El ajuste de fábrica Normal es una buena



	opción, pues permite un rápido tiempo de transferencia fuente de entrada de CA → inversor inferior a 5 ms, y además es razonablemente inmune a señales de entrada de CA distorsionadas.
Config. mediante	TBS Dashboard
Parámetro	Tipo de batería / Programa de carga
Valor	AGM
Descripción	El programa de carga AGM predeterminado es compatible con las baterías habituales de tipo AGM, pero se puede utilizar también para otros tipos de baterías de plomo-ácido. <u>¡No olvide comprobar siempre que los ajustes del programa de carga del Powersine Combi sean compatibles con la batería que está utilizando!</u> El voltaje de absorción del programa de carga AGM es de 14,3V (28,6V@24V) y el voltaje de flotación es de 13,3V (26,6V@24V). Otros programas de carga seleccionables son Flooded, GEL y Litio/Custom. Para más información sobre los programas de carga, consulte los capítulos 3.3 y 5.1.
Config. mediante	Conmutador DIP 5 y 6 (Versión S: interruptor giratorio pos. 3) y TBS Dashboard
Parámetro	Límite de corriente de carga
Valor	100%
Descripción	Este parámetro establece el porcentaje corriente de carga máxima. El 100% equivale a 60 A para el PSC1600-12-60, y 35 A para el PSC1800-24-35. Este valor se puede ajustar entre 10% y 100% mediante el Panel de Control o el Control remoto universal opcional. Puede asignar un valor más bajo a este parámetro cuando la batería conectada sea muy pequeña y ésta no pueda asimilar la corriente de carga máxima, o bien cuando desee (temporalmente) reducir la corriente del cargador, en la cantidad total de corriente que fluye a través de la entrada de CA del Powersine Combi.
Config. mediante	TBS Dashboard, Control remoto universal (URC) y Interruptor DIP 5 y 6 (solo versión S)

3.3 Información general sobre los ajustes de los conmutadores DIP

Durante el paso 3 de la guía de instalación, puede modificar los ajustes de fábrica de los conmutadores DIP para cambiar la funcionalidad del Powersine Combi en una serie de aspectos. Para más información acerca de estos ajustes, consulte el capítulo anterior (3.2). Pueden realizarse los siguientes ajustes:

	<p align="center">Descripción del ajuste</p>
 <p>Ajuste de fábrica = OFF</p>	<p><u>Programación Local / Externa</u> ON (Externo) : Se ignoran los conmutadores DIP 2 a 7 o 9 y el Powersine Combi carga siempre los ajustes de parámetros configurados en TBS Dashboard. OFF (Local) : Se utilizan los ajustes del conmutador DIP . El resto de parámetros se configuran con los valores de fábrica.</p>
 <p>Ajuste de fábrica = OFF</p>	<p><u>Frecuencia de salida del inversor</u> ON : La frecuencia de salida es 60Hz OFF : La frecuencia de salida es 50Hz</p>
 <p>Ajuste de fábrica = ON</p>	<p><u>Protección de batería baja</u> ON : La protección de batería baja está activada OFF : La protección de batería baja está desactivada (el inversor se apaga inmediatamente cuando el voltaje de la batería baja de 8,0 V)</p>
 <p>Ajuste de fábrica = OFF</p>	<p><u>Modo ASB</u> ON : Modo ASB activado OFF : Modo ASB desactivado</p>

<div style="text-align: center;">  <p>Ajuste de fábrica 5 = OFF Ajuste de fábrica 6 = ON</p> </div> <div style="text-align: center;">  <p>Ajuste de fábrica 5 = OFF Ajuste de fábrica 6 = OFF</p> </div>	<p><u>No versión S: Tipo de batería/Programa de carga (12V/24V)¹⁾</u></p> <p>5 = OFF : Tipo de batería = Con electrolito 6 = OFF Voltaje de absorción = 14,4 V / 28,8 V Voltaje de flotación = 13,5 V / 27,0 V</p> <p>5 = ON : Tipo de batería = GEL 6 = OFF Voltaje de absorción = 14,2 V / 28,4 V Voltaje de flotación = 13,5 V / 27,0 V</p> <p>5 = OFF : Tipo de batería = AGM 6 = ON Voltaje de absorción = 14,3 V / 28,6 V Voltaje de flotación = 13,3 V / 26,6 V</p> <p>5 = ON : Tipo de batería = Litio²⁾ / Costumbre 6 = ON Voltaje de absorción = 14,4V / 28,8V (program.) Voltaje de flotación = 13,3V / 26,6V (program.)</p> <p><u>Versión S: Corriente de carga máxima</u></p> <p>5 = OFF : 100% (Variable, se permite anulación remota por 6 = OFF URC o Dashboard)</p> <p>5 = ON : 100% (arreglado, no se puede controlar mediante 6 = OFF URC o Dashboard)</p> <p>5 = OFF : 75% (arreglado, no se puede controlar mediante 6 = ON URC o Dashboard)</p> <p>5 = ON : 50% (arreglado, no se puede controlar mediante 6 = ON URC o Dashboard)</p>
<div style="text-align: center;">  <p>Ajuste de fábrica = OFF</p> </div>	<p><u>Aumento de potencia de entrada de CA ("AC Input Power Boost")</u></p> <p>ON : Aumento de potencia de entrada de CA activado</p> <p>OFF : Aumento de potencia de entrada de CA desactivado</p>
<div style="text-align: center;">  <p>Ajuste de fábrica = ON</p> </div>	<p><u>Modelos : PSC1600-1800</u></p> <p><u>Conmutador remoto de derivación (Deriva la conexión remota del conmutador cuando no hay ningún conmutador remoto activado)</u></p> <p>ON : Se derivan los terminales de conexión del conmutador remoto</p> <p>OFF : Se abren los terminales de conexión del conmutador. Un conmutador remoto debe estar conectado y en posición ON para activar el</p>

	<p>Powersine Combi. El interruptor de encendido/apagado local del panel delantero siempre anula al conmutador remoto. De este modo, para poder utilizar el conmutador remoto, el interruptor de encendido/apagado debe estar en la posición 'on' (encendido) o 'charger only' (sólo cargador).</p> <p><u>Modelos : PSC2000-3500 [-S]</u> <u>Conmutador de puesta a tierra</u> ON : Conmutador de puesta a tierra activado OFF : Conmutador de puesta a tierra desactivado</p>
<p style="text-align: center;"> Ajuste de fábrica = OFF</p>	<p><u>Modelos : PSC2000-3500 [-S] solamente</u> Reservado</p>
<p style="text-align: center;"> Ajuste de fábrica = ON</p>	<p><u>Modelos : PSC2000-3500 [-S] solamente</u> <u>Conmutador remoto de derivación (Deriva la conexión remota del conmutador cuando no hay ningún conmutador remoto activado)</u> ON : Se derivan los terminales de conexión del conmutador remoto OFF : Se abren los terminales de conexión del conmutador. Un conmutador remoto debe estar conectado y en posición ON para activar el Powersine Combi. El interruptor de encendido/apagado local del panel delantero siempre anula al conmutador remoto. De este modo, para poder utilizar el conmutador remoto, el interruptor de encendido/apagado debe estar en la posición 'on' (encendido) o 'charger only' (sólo cargador).</p>

 **PRECAUCIÓN**

¹⁾ Una configuración de batería no válida podría dañar gravemente sus baterías y/o las cargas de batería conectadas. Consulte siempre la documentación de su batería para conocer los ajustes de voltaje de carga correctos.

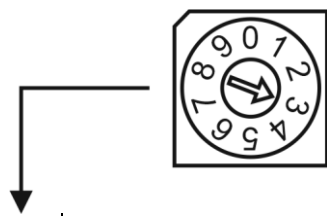
 **PRECAUCIÓN**

²⁾ Al cargar y descargar baterías de litio con BMS integrado, asegúrese de dimensionar correctamente las baterías. Debido a las mayores capacidades de profundidad de descarga de las baterías de litio, es común instalar baterías de litio con una capacidad menor en

comparación con los tipos basados en plomo. Sin embargo, es importante verificar cuidadosamente si estas baterías aún pueden aceptar la corriente de carga máxima del Powersine Combi sin activar su relé BMS interno. Lo mismo se aplica a la capacidad de la batería para proporcionar las corrientes de descarga máximas que el Powersine Combi necesita para alimentar cargas de CA exigentes. Un relé BMS que se activa excesivamente puede, con el tiempo, causar daños al Powersine Combi.

3.3.1 Descripción general de los ajustes del interruptor giratorio (solo versión S)

En las versiones S de los modelos PSC2000-3500, la selección del tipo de batería o del programa de carga se realiza de forma diferente. En lugar de interruptores DIP, se utiliza un interruptor selector giratorio que también se encuentra dentro del compartimento de conexiones (consulte las instrucciones de instalación). Consulte la siguiente tabla para obtener una descripción general de los ajustes.



	Tipo de batería	Absorción ³⁾	flotación ³⁾
0	Costumbre ⁴⁾	14.0V	13.3V
1	Con electrolito / Flooded	14.4V	13.5V
2	Gel	14.2V	13.5V
3	AGM 14.3V (Por defecto)	14.3V	13.3V
4	AGM 14.7V	14.7V	13.3V
5	Lead Calcium	14.8V	13.5V
6	LiFePo4 14.0V	14.0V	13.3V
7	LiFePo4 14.4V	14.4V	13.8V
8	- Vacío -	-	-
9	- Vacío -	-	-

³⁾ Consulte el capítulo 5.1 para obtener más información. Multiplique los voltajes por 2 para las versiones de 24V

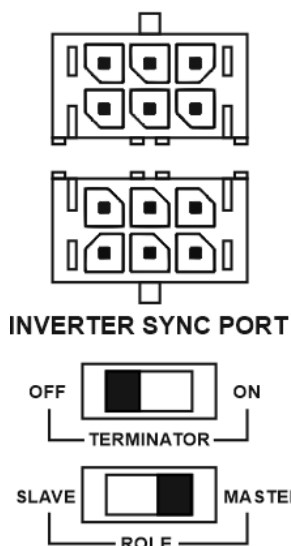
⁴⁾ Cuando se crea un programa de carga de batería personalizado utilizando el software Dashboard, el selector debe configurarse en la posición 0. De manera predeterminada, esta posición personalizada se carga con un programa de carga estándar, utilizando configuraciones de voltaje de absorción y flotación de respectivamente 14,0V y 13,3V (28,0V y 26,6V para las versiones de 24V).

3.4 Configuración del puerto de sincronización (solo versión S)

Las versiones S de los modelos PSC2000-3500 pueden funcionar en paralelo (también conocido como apilamiento o "Stacking"). Se pueden combinar hasta 3 unidades del mismo modelo, lo que da como resultado un sistema inversor/cargador de muy alta potencia. Esto se puede lograr utilizando el "Sync Cable Kit 1.2m" opcional (TBS art# 5091951). La conexión

y configuración de un sistema inversor/cargador apilado se explica en un manual diferente que viene con el “Sync Cable Kit” (o se puede descargar desde nuestro sitio web).

Sin embargo, en el caso de instalaciones de una sola unidad, es importante asegurarse de que los interruptores deslizantes “Terminator” y “Role” estén en la posición correcta. De lo contrario, el inversor/cargador no funcionará correctamente.



La imagen de la izquierda muestra la sección del compartimento de conexión que está reservada para configurar un sistema inversor apilado.

Para uso independiente (un solo inversor/cargador), asegúrese de que no haya nada conectado a los dos conectores de 6 polos del INVERTER SYNC PORT. Asegúrese también de que los dos interruptores deslizantes estén en las siguientes posiciones:

“TERMINATOR” → “OFF”

“ROLE” → “MASTER”

4. FUNCIONAMIENTO GENERAL

4.1 Funcionamiento del Powersine Combi

El interruptor principal del Powersine Combi posee tres posiciones: On (Encendido), Off (Apagado) y Charger only (Sólo cargador) (ver imagen del capítulo 4.2).

Cuando está en la posición On, el Powersine Combi realiza todas las tareas automáticamente. Se enciende en modo inversor, suministrando corriente a la carga conectada. Cuando se conecta una red o un generador a la entrada de CA, el Powersine Combi analiza esta señal. Si el voltaje y la frecuencia de esta señal se encuentran dentro de los límites requeridos, el Powersine Combi se sincroniza con la señal de entrada y activa el conmutador de transferencia de CA automáticamente. En este momento, las cargas conectadas reciben corriente de la fuente de entrada de CA, y el Powersine Combi comienza a cargar la batería también. Cuando el voltaje o la frecuencia de la señal de entrada de CA superan los límites requeridos (por ejemplo, cuando la señal de entrada de CA desaparece), el Powersine Combi deja de cargar inmediatamente, libera el conmutador de transferencia de CA y activa de nuevo el inversor. Todo este proceso ocurre con tanta rapidez que la carga conectada no se ve interrumpida.

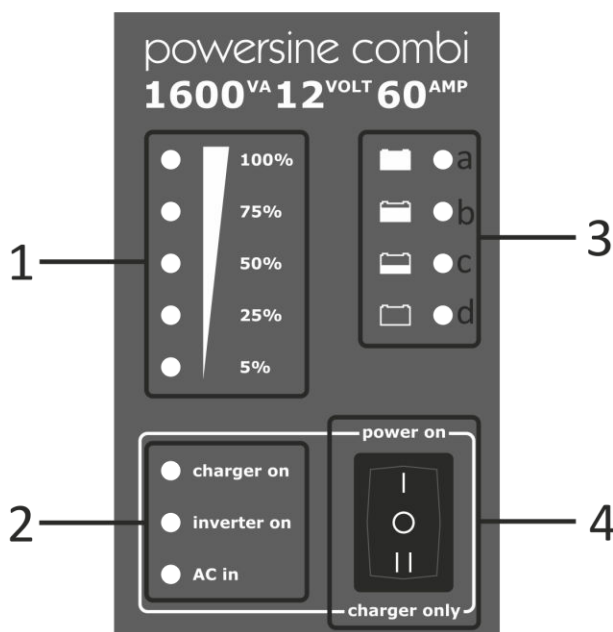
Al ponerlo en la posición Off, el Powersine Combi está completamente apagado y no puede activarse mediante un conmutador remoto ni el Control remoto universal. En este modo, el Powersine Combi no extrae corriente de la batería.

Cuando se utiliza en la posición Charger only, el Powersine Combi deshabilita el modo inversor y funciona únicamente como cargador. Cuando esté disponible una señal de entrada de CA, el Powersine Combi activará el conmutador de transferencia de CA y comenzará a cargar la batería. Cuando la señal de entrada de CA falla, el conmutador de transferencia de CA se libera de nuevo y el cargador deja de cargar. Si no hay señal de entrada de CA, tampoco habrá ninguna señal de CA presente en la salida del Powersine Combi.

En el siguiente capítulo puede encontrar información sobre los indicadores LED del panel delantero y los distintos códigos de modos de errores.

4.2 Modos de errores e indicadores LED del Powersine Combi

Observe la siguiente imagen, donde se muestran todos los indicadores LED del panel delantero del Powersine Combi, así como la ubicación del interruptor principal.



El panel delantero puede dividirse en cuatro secciones:

1. Barra de nivel de función dual. Indica el porcentaje de corriente de salida suministrada en el modo inversor (se vuelve rojo si se suministra más corriente de salida nominal). En el modo cargador, esta barra de nivel indica el porcentaje de corriente de carga suministrada.
2. Indicadores de modo. Indica el modo de funcionamiento del Powersine Combi, así como el estado de cada modo (véase la explicación siguiente) :

LED 'charger on'

Apagada	:	no cargando
Illuminado (verde)	:	cargando

Iluminado (rojo parpadea) : error (ver capítulo 4.2.1)
 Iluminado (rojo) : cargador desactivado

LED 'inverter on'

Apagada : no invirtiendo
 Iluminado (verde) : invirtiendo o aumentando potencia
 Iluminado (rojo parpadea) : error (ver capítulo 4.2.1)
 Iluminado (rojo) : inversor desactivado

LED 'AC in'

Apagada : Sin entrada CA presente, conmutador transferencia abierto
 Iluminado (verde parpadea) : Entrada CA presente y dentro rango, Powersine Combi está sincronizando
 Iluminado (verde) : Entrada CA aprobada, conmutador transferencia cerrado
 Iluminado (rojo parpadea) : Entrada CA presente pero fuera rango
 Iluminado (rojo) : Conmutador transferencia CA desactivado

3. Barra de estado de carga. Indica a grandes rasgos el progreso de carga:

LED 3a : 100% completo (listo)
 LED 3b : 80% completo
 LED 3c : 50% completo
 LED 3d : vacío

4. Interruptor de encendido, apagado y sólo cargador. Ver capítulo 4.1 para más explicaciones.

4.2.1. Indicaciones de errores

Cuando los LED indicadores de modo parpadean en rojo, se ha detectado un error. Cada LED de indicador de modo puede parpadear en rojo individualmente, o combinado con uno o más LED indicadores de modo. Hay cinco indicaciones de errores distintas, cada una de ellas con su propio patrón de parpadeo:

Un parpadeo : Error relacionado con la batería (voltaje de batería demasiado bajo o demasiado alto, temperatura de batería demasiado baja o demasiado alta, voltaje de ondulación de batería demasiado bajo o demasiado alto, defecto de batería)
 Dos parpadeos seguidos : Error de sobrecarga de CA (la carga de CA requiere demasiada corriente del inversor, cortocircuito de salida de CA)
 Tres parpadeos seguidos : Error de alta temperatura (el Powersine Combi se apaga con temperatura alta)

- Cuatro parpadeos seguidos : Error de dispositivo (se ha producido un error dentro del Powersine Combi. Devolver para reparar)
- Cinco parpadeos seguidos : Error en programa de carga (sólo para el LED indicador 'charger on').
Selección de programa de carga definido en Custom, mientras que el programa de carga personalizado contiene un error o ha excedido el tiempo.

En la mayoría de los casos, el Powersine Combi se recuperará de los modos de errores automáticamente cuando el error se haya resuelto. Sin embargo, cuando se produzca un error debido a un elevado voltaje de ondulación de la batería o a un exceso de corriente del conmutador de transferencia de CA, será necesario efectuar un reanudar del Powersine Combi. También deberá reiniciarse manualmente el Powersine Combi cuando se produzcan demasiados errores de sobrecarga o batería en un breve periodo de tiempo.

4.3 Relé de alarma programable

El Powersine Combi cuenta con un o dos (dependiendo del modelo) relé de alarma programable sin potencial. Este relé (o relé 1 en modelos PSC2000-3500 [-S]) estándar se activará cuando la unidad se apague y salte a un modo de error. El relé de alarma se desactivará de nuevo cuando el error se haya solucionado y el Powersine Combi vuelva a funcionar con normalidad.

Relé 2 en modelos PSC2000-3500 [-S] se activará sólo después de la alimentación de CA disponible. En caso de funcionamiento de la batería, el relé 2 se desactivará inmediatamente. Esto se puede utilizar para cambiar las cargas de CA menos críticos (es decir, termo eléctrico, aire acondicionado) y fuera de los que se permite ser suministrada por la red o generador solamente.

También puede utilizarse TBS Dashboard para configurar el relé de alarma para realizar una tarea distinta, como activar un generador cuando la batería haya alcanzado un determinado nivel de bajo voltaje.

Tanto normalmente cerrados y los contactos normalmente abiertos están disponibles. Para los modelos PSC1600-1800, los valores máximos de contacto de relé son 30Vdc/1A o 60Vdc/0.3A. Para los modelos PSC2000-3500 [-S], los valores máximos de contacto de relé son 30Vdc/16A o 250Vac/16A.

4.4 Entrada de arranque

La entrada de arranque permite controlar externamente la acción del Powersine Combi. La entrada de arranque puede conectarse a un conmutador externo o un contacto de relé sin potencial. Al cerrar este contacto o conmutador externo, se realizará una 'acción' programable por el usuario. Dicha acción podría liberar el conmutador de transferencia de CA, deshabilitar temporalmente la función de Aumento de potencia de entrada de CA o provocar que el Powersine Combi cambie al modo inversor. Todo esto puede configurarse en TBS Dashboard. Los modelos de PSC1600-1800 están equipados con una entrada de

arranque, mientras que los modelos PSC2000-3500 [-S] están equipados con dos entradas de arranque.

4.5 Requisitos de carga en el modo inversor

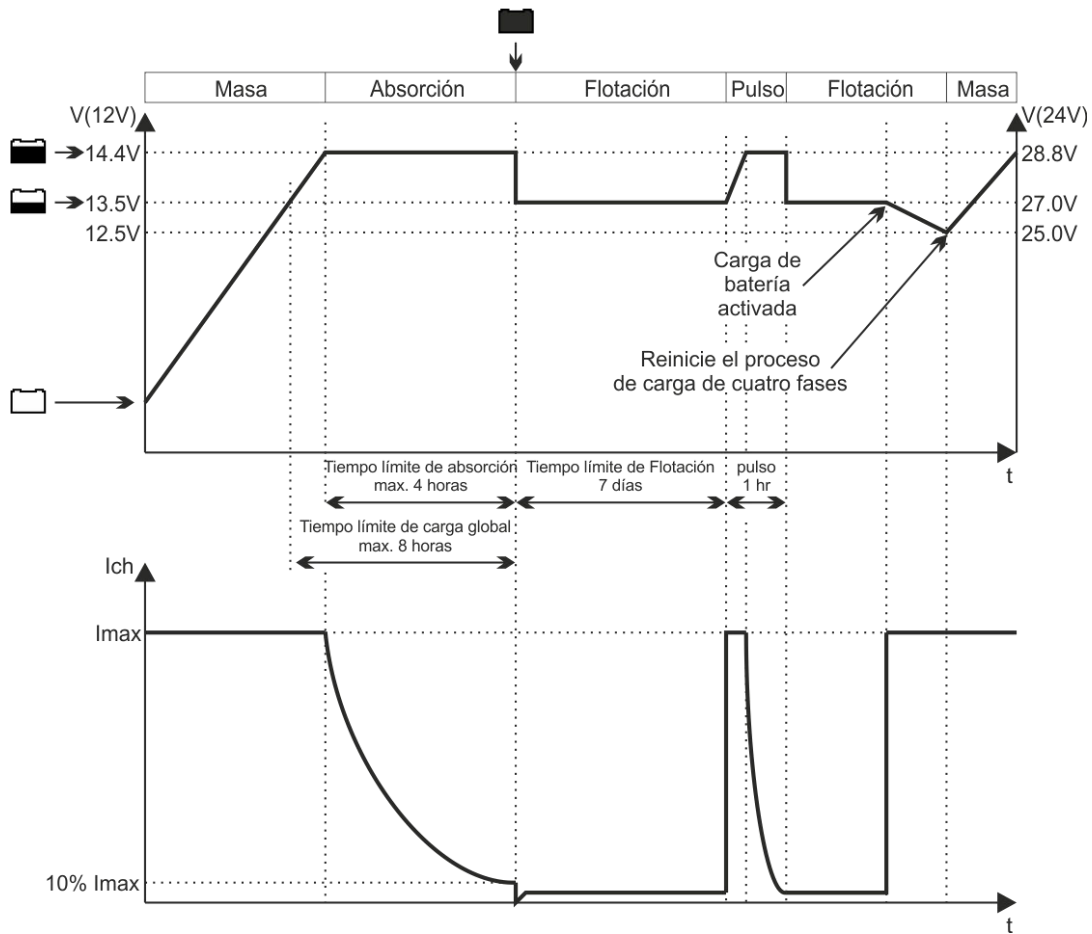
Antes de conectar los aparatos a la salida de CA del Powersine Combi, compruebe siempre su consumo máximo de corriente. No conecte aparatos a la salida de CA que requieran una tensión nominal superior a la corriente continua del inversor, a menos que estos aparatos se enciendan únicamente cuando el conmutador de transferencia esté activado, y la corriente se obtenga de una fuente externa con una capacidad superior a la del inversor.

Algunos aparatos, como los motores o las bombas, extraen una gran corriente durante el arranque. Es posible que la corriente de arranque supere el nivel de sobrecorriente del inversor. En este caso, el voltaje de salida se reducirá inmediatamente para limitar la corriente de salida del inversor. Si se supera continuamente el nivel de sobrecorriente, el inversor se apagará y se reiniciará automáticamente después de 20 segundos. En este caso, es recomendable desconectar el aparato del inversor, ya que requiere que esta unidad le suministre demasiada corriente. El Powersine Combi deberá ser reiniciado manualmente cuando se haya apagado debido a sobrecargas cuatro veces seguidas. Tenga en cuenta que a unos niveles elevados de temperatura ambiente, la capacidad de sobrecarga del Powersine Combi se verá reducida.

5. FUNCIONAMIENTO DEL CARGADOR

5.1 Programas de carga

Todos los programas de carga seleccionables estándar (utilizando los interruptores DIP 5 y 6 o selector rotatorio), ejecutan un proceso de carga IUoUoP de cuatro fases compuesto por una fase de Masa (“Bulk”), Absorción (“Absorption”), Flotación (“Float”) y Pulso (“Pulse”). La siguiente imagen muestra el proceso de carga de cuatro fases :



En la fase de Masa, el cargador suministra toda la corriente de salida y normalmente devuelve aproximadamente el 80% de la carga a la batería una vez que se ha alcanzado la corriente de absorción. Durante esta fase, los indicadores vacío y 50% completo estarán iluminados, dependiendo del progreso de la carga de Masa. Una vez alcanzada la corriente de absorción, se entrará en la fase de Absorción y se iluminará el indicador 80% completo. En esta fase se devuelve el último 20% de la carga a la batería. La corriente de salida se mantiene a un nivel constante y la corriente de carga disminuye en función del estado de carga de la batería. Cuando la corriente de carga caiga por debajo de cierto valor o cuando se consume todo el tiempo de absorción, comenzará la fase de Flotación. Se iluminará el indicador 100% completo y sonará una señal acústica indicando que la batería está totalmente cargada. En esta fase, la corriente de carga se mantendrá a un nivel seguro para la batería. Mantendrá la batería en condiciones óptimas mientras ésta se mantenga

conectada al cargador activado. Las cargas de batería conectadas serán alimentadas directamente por el cargador hasta el nivel de corriente máximo del cargador. Cuando se inyecta más corriente, la batería debe suministrarla, por lo que disminuye la corriente de la batería. A un cierto nivel de corriente de batería, el cargador salta a la fase de Masa y completa todo el proceso de carga de cuatro fases de nuevo, una vez que el consumo de carga de la batería haya caído por debajo del nivel de corriente de salida máximo del cargador.

En la cuarta fase, denominada “Pulso”, se realizará una breve carga de refresco de aproximadamente una hora cada siete días, mientras el cargador funciona en la fase de Flotación. De esta manera se mantiene la batería en condiciones óptimas, a la vez que se prolonga su vida útil. La batería puede permanecer conectada al cargador activado de manera continua, sin riesgo de sobrecarga.

Cuando el sensor de temperatura de la batería está instalado, el cargador compensa automáticamente las corrientes de carga según la temperatura (excepto cuando se establece en Litio). Esto significa que las corrientes de carga aumentan ligeramente con temperaturas más bajas y disminuyen con temperaturas más altas (-30mV/°C con cargadores de 12V y -60mV/°C con cargadores de 24V). De esta manera, se evita la sobrecarga y se prolonga la vida útil de la batería.

Cuando los programas de carga seleccionables estándar no satisfagan sus necesidades, o cuando se necesiten distintos niveles de corriente y voltaje, puede utilizar el kit de comunicación opcional TBSLink y crear sus propios programas de carga mediante TBS Dashboard. Puede enlazar hasta 8 fases distintas y configurarlas todas de manera extensiva. Póngase en contacto con su proveedor de equipos TBS para obtener más información sobre el kit de comunicación TBSLink.

5.2 Ecuación de una batería de electrolito líquido

Su utiliza una batería de plomo y ácido de electrolito líquido (“Flooded”), es posible que el fabricante recomiende un ciclo de carga de ecuación ocasional. También se recomienda cuando la batería de electrolito líquido está muy descargada o cargada de manera incorrecta. Durante la ecuación, la batería se cargará hasta 15,5V (31V para los modelos de 24V) a un nivel de corriente de salida reducido. Antes de iniciar un ciclo de carga de ecuación, es necesario leer atentamente las siguientes indicaciones :



PRECAUCIÓN

La ecuación sólo debe realizarse en una batería de plomo y ácido de electrolito líquido (“Flooded”). Por lo tanto, los cargadores sólo permitirán la ecuación cuando los interruptores DIP del tipo de batería estén configurados como Electrolito líquido. Otros tipos de batería como GEL, AGM o Litio se dañarían con este proceso.

Siga siempre las instrucciones del fabricante de la batería a la hora de ecuación baterías de electrolito líquido.

Durante la ecuación, la batería genera gases explosivos. Siga todas las indicaciones de

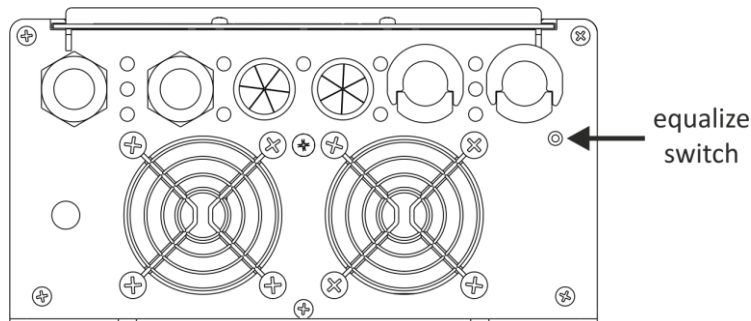
seguridad de la batería incluidas en su cargador. Ventile bien la zona alrededor de la batería y asegúrese de que no haya fuentes de ignición o chispas en las proximidades.

Desconecte todas las cargas conectadas a la batería durante la ecualización. El voltaje aplicado a la batería durante este proceso debe cumplir los niveles de seguridad para algunas cargas.

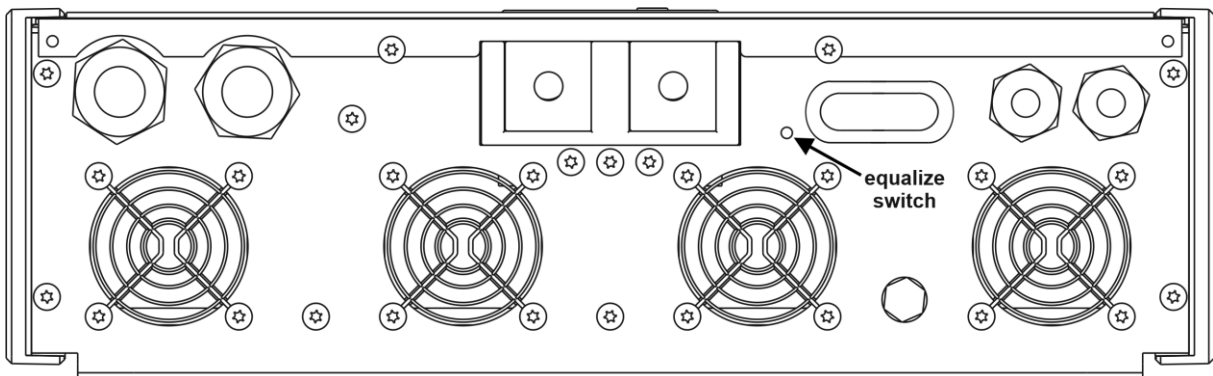
Los cargadores no pueden determinar automáticamente cuándo detener la ecualización de una batería. El usuario deberá supervisar la gravedad específica de la batería a lo largo del proceso para determinar cuándo finalizar el ciclo de ecualización. El temporizador interno de 2 horas de su cargador tiene un fin de seguridad, pero puede que no sea lo bastante corto como para evitar daños en la batería. Por lo tanto, ecualizar una batería es siempre un proceso que debe estar bajo la supervisión continua del usuario.

Dado que la ecualización sólo está permitida para las baterías de plomo y ácido de electrolito líquido (“Flooded”), los cargadores sólo permitirán que esta función esté disponible cuando se seleccione el programa de carga “Electrolito líquido” (véase capítulo 3.3). Asimismo, el cargador necesita también completar un ciclo de carga completa y que esté funcionando en el modo de Flotación. Cuando se reúnan estas dos condiciones, el modo de carga de ecualización puede activarse pulsando el botón empotrado de la parte inferior del cargador (Ver la imágenes siguiente) durante 3 segundos, hasta que todos los indicadores de estado de carga empiecen a parpadear.

Modelos : PSC1600-1800 :



Modelos : PSC2000-3500 [-S]:



El cargador permitirá un tiempo de equalización máximo de 2 horas antes de saltar automáticamente al modo de Flotación. Si la gravedad específica de cada célula no concuerda todavía con las especificaciones del fabricante de la batería, puede iniciar un nuevo ciclo de equalización de 2 horas pulsando otra vez el botón durante 3 segundos. No deje de comprobar continuamente la gravedad específica de cada célula durante el proceso de equalización. Cuando los valores sean correctos, puede salir manualmente del proceso de equalización pulsando el botón empotrado una vez. El cargador volverá al modo de Flotación.

6. GUÍA DE RESOLUCIÓN DE PROBLEMAS

Consulte la siguiente tabla si tiene problemas con el Powersine Combi y/o la instalación.

Problema	Posible causa	Solución
El Powersine Combi no funciona de ninguna manera.	Interruptor principal en posición Off (0).	Ponga el interruptor de encendido en la posición 'I' o 'II'.
	El conmutador remoto o el Control remoto universal han desactivado el cargador.	Active el Powersine Combi remotamente o compruebe que se haya ajustado correctamente el conmutador DIP 8 o 10.
	Mal contacto entre los cables de batería del inversor y los terminales de la batería.	Limpie los terminales de la batería o los contactos de los cables del inversor. Apriete los tornillos del terminal de la batería.
	Fusible de CC fundido.	Compruebe el fusible de la batería o el fusible interno del Powersine Combi (PSC1600-1800 sólo).
	Batería en muy mal estado.	Sustituya la batería.
El modo cargador no funciona (el conmutador de transferencia de CA tampoco se activa).	El voltaje de entrada de CA o la frecuencia están fuera de rango o son demasiado inestables.	Asegúrese de que el voltaje de entrada de CA esté entre 185 V – 270 V y la frecuencia entre 45Hz – 65Hz (con los ajustes estándar)
	El modo cargador y/o el conmutador de transferencia de CA están deshabilitados durante la instalación con el Panel de Control.	Active el modo cargador y el conmutador de transferencia de CA con el Panel de Control.
La batería no se carga hasta su capacidad máxima.	Ajuste de voltaje de carga de absorción incorrecto.	Compruebe que los conmutadores DIP 5 y 6 tienen los ajustes correctos, o ajuste el

	Ajuste de corriente de carga incorrecto.	voltaje de absorción con el TBS Dashboard. Ajuste la corriente de carga con el Control remoto universal o el Dashboard. En condiciones nor-males, la corriente de carga debe estar entre el 10%-20% de la capacidad total de la batería.
	Demasiada pérdida de voltaje en los cables de la batería y/o las conexiones.	Asegúrese de que los cables de la batería tengan el diámetro suficiente. Compruebe si se han realizado correctamente todas las conexiones de CC.
	Las cargas de batería adicionales están consumiendo demasiada corriente durante la carga.	Apague o desconecte todas las cargas de la batería.
La corriente de carga está demasiado baja.	Temperatura ambiente elevada.	Trate de reducir la temperatura ambiente alrededor del Powersine Combi.
	El cargador está funcionando en la fase de carga de absorción.	No haga nada. La batería está cargada casi completamente y consume menos corriente por sí misma.
Los LED indicadores de modo "inverter on", "charger on" y "AC in" parpadean en rojo una vez por segundo (error de batería).	Voltaje de batería demasiado bajo (< 8V@12V o < 16V@24V).	La batería está averiada, sustitúyala. O la batería se ha descargado en exceso, deje que se recupere por encima de 8,5 V para que el conmutador de transferencia y el cargador puedan iniciarse para recargar la batería.
	Voltaje de batería demasiado alto (> 16,5V@12V o > 33 V@24V).	Compruebe si hay en el sistema de CC una fuente externa que esté suministrando demasiada corriente a la batería.
	Voltaje de ondulación de batería demasiado alto en entrada de CC (se necesita reanudar manual)	Compruebe las conexiones de cableado de la batería. Reduzca la longitud del cable. Aumentar el tamaño

		de la batería y / o el cable. Asegúrese de que ningún otro equipo conectado a la misma batería esté generando un alto voltaje de ondulación.
Sólo el LED indicador de modo “invertir on” parpadea en rojo una vez por segundo.	Voltaje de batería demasiado bajo (< 10V@12V o < 20V@24V).	Aplique corriente a la entrada de CA e inicie la carga de la batería. Cuando necesite otro voltaje de apagado en el modo ‘Battery protect On’, utilice el Panel de Control.
Sólo el LED indicador de modo “invertir on” parpadea dos veces por segundo.	El inversor está sobrecargado.	Asegúrese de que la tensión total de la carga de salida de CA sea inferior a la tensión nominal del inversor.
	La carga de salida de CA conectada está provocando un cortocircuito.	Compruebe si la carga de salida de CA está defectuosa. Observe si el cableado de salida de CA y las conexiones están creando un cortocircuito.
	La carga de salida de CA conectada provoca una corriente de entrada demasiado elevada.	Pruebe a encender el equipo conectado de manera sucesiva y no simultánea. Otra opción es dejar de utilizar la carga conectada, pues no es apta para ser alimentada con este inversor.
Los LED indicadores de modo “invertir on” y “charger on” parpadean en rojo tres veces por segundo.	El Powersine Combi se ha apagado debido a una temperatura demasiado elevada.	Reduzca la carga de salida de CA en el modo inversor. Trate de reducir la temperatura ambiente alrededor del Powersine Combi. Asegúrese de que haya un espacio libre de al menos 10 cm alrededor de la unidad. No obstruya el flujo de aire ni coloque objetos sobre la unidad. Mantenga el Powersine Combi apartado de la luz solar directa o de equipos que desprendan calor.

El LED indicador de modo "AC in" parpadea en rojo una vez por segundo.	Hay señal de entrada de CA, pero no está entre los límites requeridos de voltaje y frecuencia.	Asegúrese de que el voltaje de entrada de CA esté entre 185 V-270 V y 45Hz-65Hz.
Todos los LED indicadores de modo inverter on, charger on y AC in parpadean en rojo dos veces por segundo (se necesita reanudar manual)	Se ha superado la corriente máxima del conmutador de transferencia de CA.	Reduzca la carga de salida de CA.
El LED indicador de modo "inverter on" o "charger on" o "AC in" brilla en rojo de manera continua.	El modo inversor, o el modo cargador o el conmutador de transferencia de CA han sido deshabilitados con el Panel de Control.	Vuelva a activarlos con el Panel de Control si es necesario.
	Si sólo brilla 'inverter on' en rojo de manera continua.	El interruptor principal del Powersine Combi está en modo 'charger only', de manera que el inversor está deshabilitado.
La barra de corriente de salida está roja (modo inversor).	El inversor está sobrecargado y se apagará después de un tiempo (dependiendo de la cantidad de sobrecarga)	Reduzca la carga de salida de CA
Todos los LED indicadores de modo "inverter on", "charger on" y "AC in" parpadean en rojo cuatro veces.	Fallo en dispositivo o conexión.	Avería en el Powersine Combi, devuélvalo para reparación. La fuente externa de CA está conectada a la salida de CA en lugar de a la entrada de CA.
El LED indicador de modo "charger on" parpadea cinco veces.	Error en el programa de carga.	El usuario ha seleccionado un programa de carga no válido o vacío (el programa de carga 'custom' está vacío de fábrica). El programa de carga creado por un usuario avanzado contiene la condición 'go-to error', por ejemplo cuando una fase de carga tarda demasiado tiempo.

<p>Todos los LED indicadores de modo “inverter on”, “charger on” y “AC in” funcionan continuamente en un bucle.</p>	<p>Error de configuración del puerto de sincronización o se requiere una acción del sistema apilada.</p>	<p>Cuando se opera en modo independiente (inversor único), verifique si el interruptor deslizante del puerto de sincronización “ROLE” está configurado en “MASTER”. Asegúrese de que la unidad no haya sido parte de un sistema apilado anteriormente (la unidad debe reiniciarse para uso independiente; consulte el manual especial del sistema apilado). Cuando se opera como un sistema apilado (varias unidades en paralelo), asegúrese de que todas las unidades estén encendidas y de que el cable de sincronización esté conectado correctamente y no esté dañado.</p>
---	--	--

Si ninguna de estas soluciones resuelve el problema que ha encontrado, lo más recomendable es que se ponga en contacto con su distribuidor local de TBS para obtener asistencia y/o reparar su Powersine Combi. No desmonte el Powersine Combi usted mismo, pues tiene corrientes peligrosas de alto voltaje en su interior y además anularía la garantía.

7. ESPECIFICACIONES TÉCNICAS

Parámetro		PSC1600-12-60	PSC1800-24-35
Fase inversor			
Potencia de salida ¹⁾	Pnom	1300W	1400W
	P10minutes	1600W	1800W
	Psobret.	2500W	3000W
Voltaje salida / frecuencia		230Vac ± 2% / 50Hz ± 0,05%	
Forma de onda de salida		Sinusoidal real (THD < 5% ¹⁾ @ Pnom)	
Voltaje entrada (± 3% tol.)	Nominal	12V	24V
	Rango	10,5 ²⁾ – 16Vdc	21 ²⁾ – 32Vdc
Eficiencia máxima		92%	94%
Consumo sin carga ³⁾ [ASB]		< 10W [2,0W]	< 12W [2,0W]
Fase cargador			
Voltaje entrada CA		185 – 270Vac / 45 – 65Hz / PF > 0.95	
Corriente de carga continua máxima ⁴⁾		60A	35A
Voltaje de carga estándar (absorción / flotación @ 25°C)		14,3V / 13,3V	28,6V / 26,6V
Programa o algoritmo de carga		IUoUoP, inteligente 4 etapas, temp. comp.	
Conmutador transferencia CA			
Corriente continua máxima		16Arms	
Tiempo de transferencia (típico)		0 ms (inv. → gen.) / < 5 ms (gen. → inv.)	
General			
TBSLink activado		Sí	
Protecciones		voltaje batería alta/baja, alta temperatura, sobrecarga, cortocircuito, voltaje ondulación elevado y voltaje entrada CA bajo	
Conexiones de CC		Dos cables, long. 1,5 metros, 35 mm ²	
Conexiones de CA		Terminales roscados	
Tamaño de carcasa		351 x 210 x 114mm	
Peso total		10,7kg	
Clase prot. / Temp. func. / Temp. almac.		IP21 / -20°C .. +50°C / -40°C .. +80°C	
Estándares		Marca CE que cumple con directiva EMC 2014/30/EU y LVD 2014/35/EU de conformidad con EN60335-1, EN60335-2-29 y RoHS 2011/65/EU	

Nota: las especificaciones indicadas pueden cambiar sin notificación previa.

- 1) Medido con carga resistiva. Los índices de tensión están sometidos a una tolerancia del 10% y disminuyen a medida que la temperatura aumenta a una velocidad aproximada de 1,2%/°C empezando por 25°C.
- 2) El límite de bajo voltaje es dinámico. Este límite disminuye al aumentar la carga para compensar la caída de voltaje en cables y conexiones.
- 3) Medido a tensión nominal y 25°C
- 4) A temperaturas ambiente más altas, la corriente de salida máxima debería reducirse automáticamente.

Parámetro	PSC2000-12-80 [-S]	PSC2500-24-50 [-S]
Fase inversor		
Potencia de salida ¹⁾	Pnom	1800W
	P10minutes	2100W
	Psobret.	4000W
Voltaje salida / frecuencia	230Vac ± 2% / 50Hz ± 0,05%	
Forma de onda de salida	Sinusoidal real (THD < 5% ¹⁾ @ Pnom)	
Voltaje entrada (± 3% tol.)	Nominal	12V
	Rango	10,5 ²⁾ – 16Vdc
Eficiencia máxima	92%	
Consumo sin carga ³⁾ [ASB]	< 20W [3,5W]	
Fase cargador		
Voltaje entrada CA	185 – 270Vac / 45 – 65Hz / PF > 0.95	
Corriente de carga continua máxima ⁴⁾ (sec.)	80A (4A)	50A (4A)
Voltaje de carga estándar (absorción / flotación @ 25°C)	14,3V / 13,3V	28,6V / 26,6V
Programa o algoritmo de carga	IUoUoP, inteligente 4 etapas, temp. comp.	
Conmutador transferencia CA		
Corriente continua máxima	30Arms	
Tiempo de transferencia (típico)	0 ms (inv. → gen.) / < 5 ms (gen. → inv.)	
General		
TBSLink activado	Sí	
Protecciones	voltaje batería alta/baja, alta temperatura, sobrecarga, cortocircuito, voltaje ondulación elevado y voltaje entrada CA bajo	
Conexiones de CC	Tornillos M10	
Conexiones de CA	Terminales roscados	
Tamaño de carcasa	370 x 431 x 132mm	
Peso total	18,5kg	
Clase prot. / Temp. func. / Temp. almac.	IP21 / -20°C .. +50°C / -40°C .. +80°C	
Estándares	Marca CE que cumple con directiva EMC 2014/30/EU y LVD 2014/35/EU de conformidad con EN60335-1, EN60335-2-29, RoHS 2011/65/EU y UNECE-R10 para el modelo de 12 V	

Nota: las especificaciones indicadas pueden cambiar sin notificación previa.

- 1) Medido con carga resistiva. Los índices de tensión están sometidos a una tolerancia del 10% y disminuyen a medida que la temperatura aumenta a una velocidad aproximada de 1,2%/°C empezando por 25°C.
- 2) El límite de bajo voltaje es dinámico. Este límite disminuye al aumentar la carga para compensar la caída de voltaje en cables y conexiones.
- 3) Medido a tensión nominal y 25°C
- 4) A temperaturas ambiente más altas, la corriente de salida máxima debería reducirse automáticamente.

Parámetro	PSC3000-12-120 [-S]	PSC3500-24-70 [-S]
Fase inversor		
Potencia de salida ¹⁾ Pnom	2600W	2800W
P10min.	3200W	3800W
Psobret.	5000W	6500W
Voltaje salida / frecuencia	230Vac ± 2% / 50Hz ± 0.05%	
Forma de onda de salida	Sinusoidal real (THD < 5% ¹⁾ @ Pnom)	
Voltaje entrada : Nom.	12V	24V
Rango	10.0 ²⁾ – 16.5Vdc	20.0 ²⁾ – 33.0Vdc
Eficiencia máxima	92%	93%
Consumo sin carga ³⁾ [ASB]	< 20W [3.5W]	< 20W [4.0W]
Fase cargador		
Voltaje entrada CA	185 – 270Vac / 45 – 65Hz / PF > 0.95	
Corriente de carga máxima ⁴⁾ (Sec.)	120A (4A)	70A (4A)
Voltaje de carga estándar (absorción / flotación @ 25°C)	14.3V / 13.3V	28.6V / 26.6V
Programa o algoritmo de carga	IUoUoP, inteligente 4 etapas, temp. comp.	
Conmutador transferencia CA		
Corriente continua máxima	30Arms	
Tiempo de transferencia (típico)	0 ms (inv. → gen.) / < 5 ms (gen. → inv.)	
General		
TBSLink activado	Sí	
Protecciones	voltaje batería alta/baja, alta temperatura, sobrecarga, cortocircuito, voltaje ondulación elevado y voltaje entrada CA bajo	
Conexiones de CC	Tornillos M10	
Conexiones de CA	Terminales roscados	
Tamaño de carcasa	370 x 431 x 132mm	
Peso total	19.0kg	
Clase prot. / Temp. func. / Temp. almac.	IP21 / -20°C .. +50°C / -40°C .. +80°C	
Estándares	Marca CE que cumple con directiva EMC 2014/30/EU y LVD 2014/35/EU de conformidad con EN60335-1, EN60335-2-29, RoHS 2011/65/EU y UNECE-R10 para el modelo de 12 V	

Nota: las especificaciones indicadas pueden cambiar sin notificación previa.

- 1) Medido con carga resistiva. Los índices de tensión están sometidos a una tolerancia del 10% y disminuyen a medida que la temperatura aumenta a una velocidad aproximada de 1,2%/°C empezando por 25°C.
- 2) El límite de bajo voltaje es dinámico. Este límite disminuye al aumentar la carga para compensar la caída de voltaje en cables y conexiones.
- 3) Medido a tensión nominal y 25°C
- 4) A temperaturas ambiente más altas, la corriente de salida máxima debería reducirse automáticamente.

8. CONDICIONES DE LA GARANTÍA

TBS Electronics (TBS) garantiza que este producto no tenga defectos de mano de obra o materiales durante 24 meses, a partir de la fecha de compra. Durante este periodo, TBS reparará los productos defectuosos sin coste alguno. TBS no se hace responsable de los costes de transporte de este inversor.

Esta garantía es nula si el producto ha sufrido daños físicos o alteraciones, ya sean internas o externas, y no cubre los daños causados por un uso indebido¹⁾, por utilizar el inversor con requisitos de consumo de energía excesivos, o por su uso en un entorno inadecuado.

Esta garantía no se aplica en los casos donde el producto se haya utilizado incorrectamente, de forma negligente, instalado indebidamente o reparado por alguien ajeno a TBS. TBS no se hace responsable de ninguna pérdida, daño o coste producido por un uso indebido, uso en un entorno inadecuado, instalación incorrecta del producto o fallos en el producto.

Dado que TBS no puede controlar el uso y la instalación (de acuerdo con las normativas locales) de sus productos, el cliente siempre es responsable del uso de estos productos. Los productos de TBS no están diseñados para su uso como componentes esenciales en dispositivos o sistemas de soporte vital que puedan dañar a los seres humanos y/o al medio ambiente. El cliente es siempre el responsable a la hora de implementar los productos de TBS en este tipo de aplicaciones. TBS no acepta ninguna responsabilidad por la violación de patentes u otros derechos de terceros derivados del uso del producto de TBS. TBS se reserve el derecho de cambiar las especificaciones de sus productos sin previo aviso.

¹⁾ Ejemplos de uso indebido :

- Voltaje de entrada aplicado demasiado alto
- Conexión inversa de la polaridad de la batería
- Alojamiento o elementos internos con estrés mecánico debido a una manipulación poco cuidadosa o un embalaje inadecuado
- Conexión de baterías incorrectas (voltajes de batería demasiado altos)
- Contacto con líquidos u oxidación causada por la condensación

9. DECLARACIÓN DE CONFORMIDAD

Vea la página 30.